

Installation

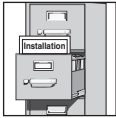
SS-EXT Extension

For Express® Lavatory System SS Series
and SafeCare™ Ligature Resistant Series
HSL1 Single-Station Lavatory

Table of Contents

Pre-Installation Information	2
Components	2
Installation	3
Cleaning and Maintenance	4

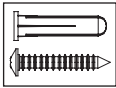
IMPORTANT!



Read this entire installation manual to ensure proper installation. When finished with the installation, file this manual with the owner or maintenance department. Compliance and conformity to local codes and ordinances is the responsibility of the installer.



Separate parts from packaging and make sure all parts are accounted for before discarding any packaging material. If any parts are missing, do not begin installation until you obtain the missing parts.



Hardware supplied by installer must be appropriate for wall construction. Wall anchors used must have a minimum pull-out rating of 300 lbs.



Product warranties and service parts information may be found under "Products" on our Web site at bradleycorp.com.

Supplies Required

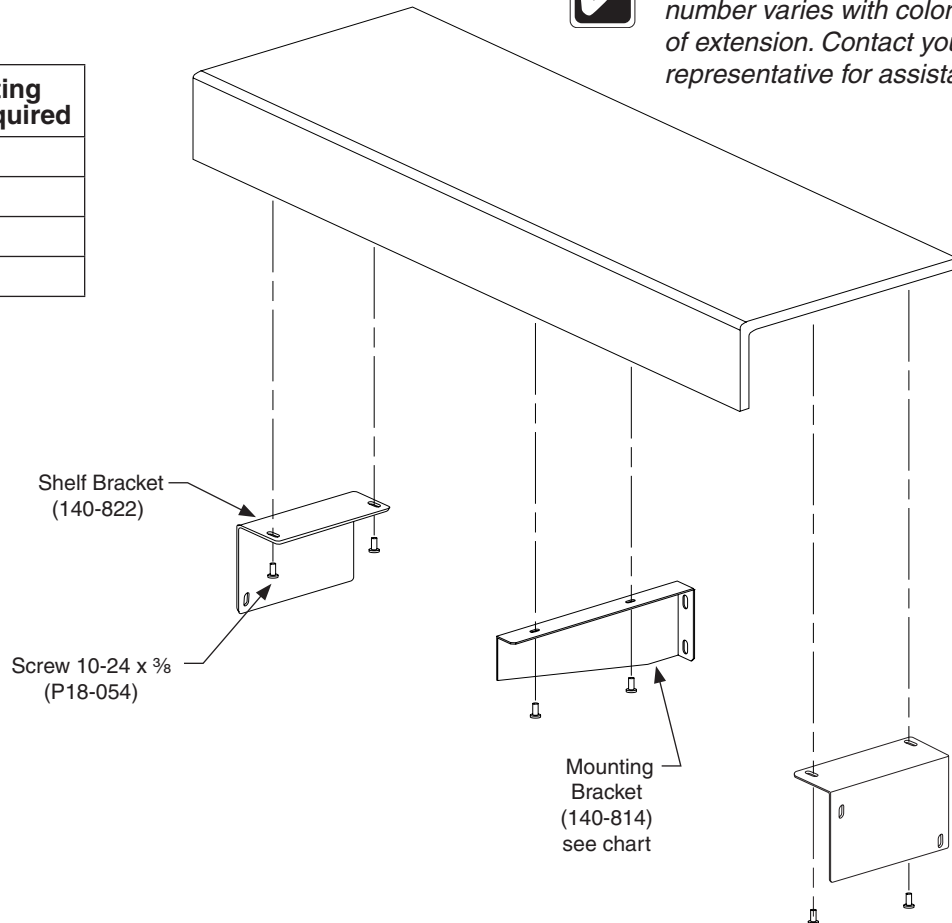
- Two to eight 1/4" wall anchors (quantity depends on length of extension and application (minimum pull-out rating of 300 lbs.))
- Six to ten 1/4" fasteners to attach shelf and mounting bracket(s) to bowl(s) and/or wall(s) (quantity depends on length of extension and application). **Extensions used with HSL1 require tamper resistant button screws with security pin and sloped nuts (no exposed threads) or tamper resistant button screw posts with security pin.**
- Security sealant (for extensions used with model HSL1)

Components



Express SS-Series Extension part number varies with color and length of extension. Contact your Bradley representative for assistance.

Shelf Length	# of Mounting Brackets Required
10"-22"	0
23"-40"	1
41"-58"	2
59"-76"	3

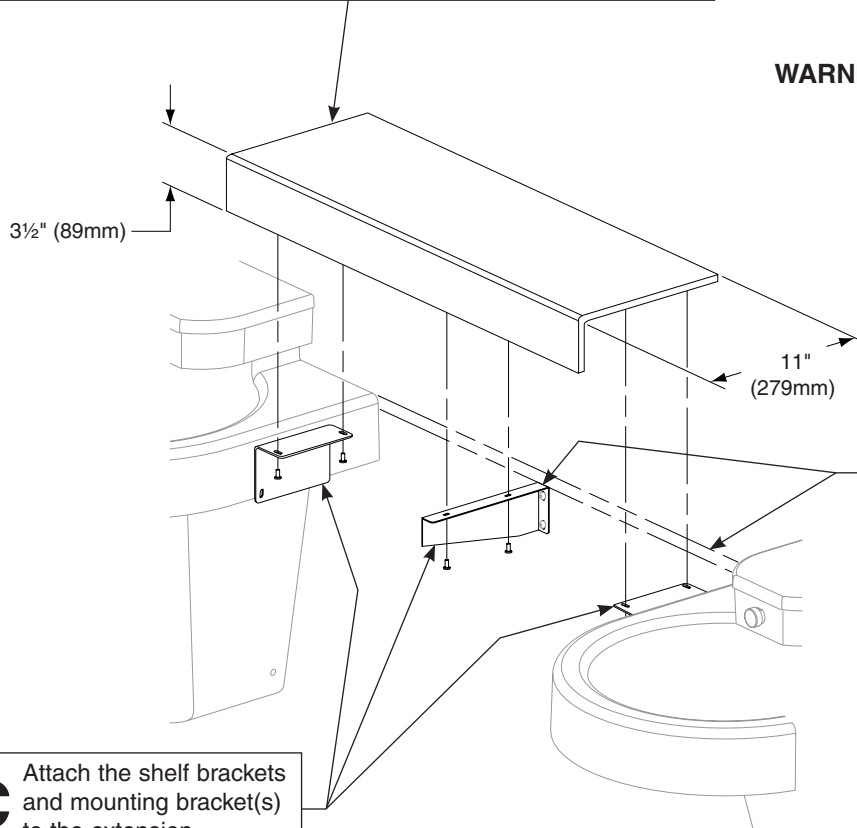


1 Installation

B Measure the opening between the SS-N bowls or the bowl and the alcove wall. If the extension does not fit properly within the opening, trim one edge of the extension to fit using a table saw with a carbide-tipped saw blade.

WARNING! After installation, all joints require security sealant (by installer) to eliminate gaps (if present) between wall, shelf, brackets and fixtures.

WARNING! In addition to fasteners, apply security sealant to bracket mating surface for extensions used with model HSL1.

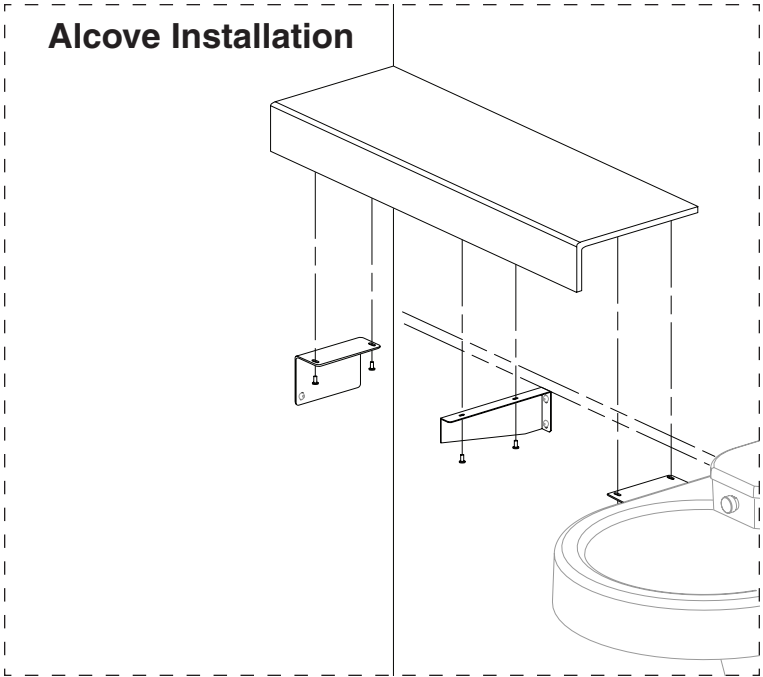


A Mark a level line on the wall flush with the top of the SS-N Express lav (34" [863mm] max. to floor). From that line, measure down 1" and mark another level line for placement of the mounting brackets.

C Attach the shelf brackets and mounting bracket(s) to the extension.

D Position the extension in the opening and, using the brackets as a template, mark the hole locations on the wall (for the anchors) and on the HSL1 or SS-N bowls. Drill holes into the marked locations on the wall and bowl(s).

E Secure the mounting and shelf bracket(s) to the wall and/or bowl(s) with hardware appropriate for wall construction.



Cleaning and Maintenance for Terreon®

Material Description: Terreon is an NAHB-certified densified solid surface material composed of polyester resin and is resistant to chemicals, stains, burns and impact. Surface damage can be easily repaired with everyday cleansers or fine grit abrasives.

Routine Cleaning: Clean daily or as often as conditions require using a standard commercial or household cleaner such as Formula 409® or Windex®.

Stubborn Stains: Remove tough stains with Ajax®, Comet®, or Soft-Scrub® and a green Scotch-Brite® pad or lightly sand in a circular motion with 240 grit wet/dry sandpaper. The finish can be renewed with a maroon Scotch-Brite pad.

Special Situations for Terreon Material

Scratches: Remove scratches with a green Scotch-Brite pad. The finish can then be renewed with a maroon Scotch-Brite pad, followed by a white Scotch-Brite pad or 30-micron sandpaper.

Hard Water Deposits: Remove hard water deposits with a mild solution of vinegar and water. Always rinse the unit thoroughly after cleaning.

Restoring the surface: Use Hope's® Solid Surface cleaner and polish to refresh and protect the Terreon Solid Surface material. Bradley recommends additional care and maintenance for the darker colored Terreon. For complete instructions on this additional maintenance, visit bradleycorp.com.

NOTICE! Do not use strong acid or alkaline chemicals and cleansers to clean Terreon. If these chemicals come in contact with the surface, wipe them off immediately and rinse with soapy water. Avoid contact with harsh chemicals such as paint remover, bleach, acetone, etc. Avoid contact with hot pans and objects.

Repair Kits: Terreon repair kits are available. Contact your Bradley representative or distributor for part numbers and pricing.



Repair kits are made to order and have a shelf life of 30 days.



Terreon is a unique, cast solid surface material. Aggregate flow and distribution as well as shades of color can vary from product to product creating natural characteristics.

Cleaning and Maintenance for Stainless Steel

Material Description: Stainless steel is extremely durable, and maintenance is simple and inexpensive. Proper care, particularly under corrosive conditions, is essential. Always start with the simplest solution and work your way toward the more complicated.

Routine cleaning: Daily or as often as needed use a solution of warm water and soap, detergent, or ammonia. Apply the cleaning solution per the manufacturer's instructions and always use a soft cloth or sponge to avoid damaging the finish.

Stubborn Stains: To remove stains from stainless steel use a stainless steel cleaner and polish such as Ball® stainless steel cleaner or a soft abrasive. Always follow the manufacturer's instructions and apply in the same direction as the polish lines.

NOTICE! Never use ordinary steel wool or steel brushes on stainless steel. Always use stainless steel wool or stainless steel brushes.

Special Situations for Material

Fingerprints and Smears: To remove fingerprints or smears use a high quality stainless steel cleaner and polish in accordance with the manufacturer's instructions. Many of these products leave a protective coating that helps prevent future smears and fingerprints.

Grease and Oil: To remove grease and oil use a quality commercial detergent or caustic cleaner. Apply in accordance to the manufacturer's instructions and in the direction of the polish lines.

Precautions: Avoid prolonged contact with chlorides (bleaches, salts), bromides (sanitizing agents), thiocyanates (pesticides, photography chemicals, and some foods), and iodides on stainless steel equipment, especially if acid conditions exist.

NOTICE! Do not permit salty solutions to evaporate and dry on stainless steel.

The appearance of rust streaks on stainless steel leads to the belief that the stainless steel is rusting. Look for the actual source of the rust in some iron or steel particles which may be touching, but not actually a part of the stainless steel structure.

NOTICE! Strongly acidic or caustic cleaners may attack the steel causing a reddish film to appear. The use of these cleaners should be avoided.

Brand Names

Use of brand names is intended only to indicate a type of cleaner. This does not constitute an endorsement, nor does the omission of any brand name cleaner imply inadequacy. Many products named are regional in distribution, and can be found in local supermarkets, department and hardware stores, or through your cleaning service. It is emphasized that all products should be used in strict accordance with package instructions.