



# FL-1H, FL-1L Frequency® Lavatory System – FL-Series

- ADA & TAS Compliant (lower or "concave" stations only)
- Patented Molded One-Piece Design with Integral Bowl
- Constructed of Terreon® or Terreon®RE Solid Surface Material
- Access Panel and Transition Cover Enclosure
- Includes Capacitive Sensing Faucet
- Optional Soap Dispenser and Plug-in Adapter

## Specifications

With its patented design, the Frequency Lavatory System comfortably provides hand-washing access for adults, children, and those with disabilities. The "convex" or higher FL-1H provides a more ergonomically correct position for able-bodied users while the "concave" or lower FL-1L can be mounted to meet ADA or TAS guidelines. Accommodating one user at a time, the FL-Series features a solid surface countertop with a one-of-a-kind integral bowl. The unique bowl, with integral solid surface overflow, allows for greater knee clearance than other barrier free fixtures. The Frequency Lav System includes a "no-drip" edge and comes equipped with centershank capacitive sensing faucet with battery operation. Faucet includes an anti-rotation 4" trim plate. Optional deck-mounted soap dispenser and plug-in adapter are available.

## Construction

### Counter Top/Bowl

Constructed of Terreon, a densified solid surface material composed of a bio-based resin, or TerreonRE, a densified solid surface material composed of a bio-based resin and preconsumer recycled granules. Terreon and TerreonRE are resistant to chemicals, stains, burns and impact. Surface damage can be easily repaired with everyday cleansers or fine grit abrasives. Terreon and TerreonRE are certified by Home Innovation Lab to meet CSA B45.5/IAPMO Z124. Terreon and TerreonRE are GREENGUARD® certified as low-emitting materials.

### Access Panel

The access panel and transition cover of the Frequency Lav System not only conceals plumbing and electrical connections, but also reduces time needed for installation and maintenance. Access panel and transition cover are made from high impact polymer.

### Mounting

The FL-Series includes heavy gauge stainless steel mounting brackets, eliminating the need for additional specifications and/or casework beneath the countertop. All Frequency Lavatory Systems meet or exceed industry standards for load testing. Refer to the installation manual for backing recommendations.



## Code Compliance and Certifications

### ANSI Standards

Terreon and TerreonRE are certified by Home Innovation Lab to meet CSA B45.5/IAPMO Z124.

### cUPC Approval

Frequency Lav Systems are Uniform Plumbing Code (UPC), International Plumbing Code (IPC) and National Plumbing Code of Canada (NPC) approved through the International Association of Plumbing and Mechanical Officials (IAPMO). Manufactured in compliance with IGC 156, CSA B45 Series (R08) & ASME A112.18.1/CSA B125.1.

This plumbing fixture is designed for hand washing only. It is not Intended to dispense water for human consumption through drinking or for preparation of food or beverages.

Standard product selections contained within this document are third party **CERTIFIED** to NSF/ANSI 372 meeting the Lead-Free content requirement. Any product configured with custom options will be **COMPLIANT** with NSF/ANSI 372 meeting the Lead-Free content requirement.

### Standard Height Mounting

The FL-1L is designed to be mounted to comply with all ADA guidelines on reaches and clearances. To comply with ADA, the rim height at the outside edge must be 34" max. above the finished floor. To be completely ADA compliant, the Frequency Lav System must be equipped with ADA-compliant faucets and access panel.

The FL-1H does not meet ADA Accessibility Guidelines. Always check local codes for compliance.

### Juvenile Height Mounting

The FL-1L is designed to be mounted at various heights to comply with all ADA and TAS guidelines on reaches and clearances. To comply with ADA for children, the rim height at the outside edge must not exceed 31". Source: ADA Accessibility Guidelines for Buildings and Facilities (ADAAG) as amended through September 2002. To comply with Texas Accessibility Standards for children, the FL-1L must be mounted so the rim height at the outside edge does not exceed 30" or 32" based on age or grade level. For more information, contact the Texas Department of Licensing and Regulation.



Verify all rough-in dimensions prior to installation. Consult local and national codes. Conformity and compliance to local and national codes is the responsibility of the installer.



# FL-1H, FL-1L Frequency® Lavatory System – FL-Series

## Standard Equipment

### Models FL-1H & FL-1L

Deck with lavatory, heavy gauge, stainless steel mounting brackets and battery-operated faucet described below. Access panel to enclose the following fittings: offset drain; P-trap; flexible stainless steel supply connections; and ASSE 1070 Navigator® thermostatic mixing valve with stop valves.

## Activation Control

### Capacitive Sensing Technology

The Aerada 1200 Series CS faucet creates an omnidirectional detection zone utilizing capacitive sensing technology. The capacitive sensing field triggers faucet activation only when a significant change in the capacitive field occurs. Only human presence will create a significant change in the capacitive field. As such, inanimate objects will not trigger faucet activation. The faucet is unaffected by varying skin tones, other infrared presence and soap scum build-up.

## Valve

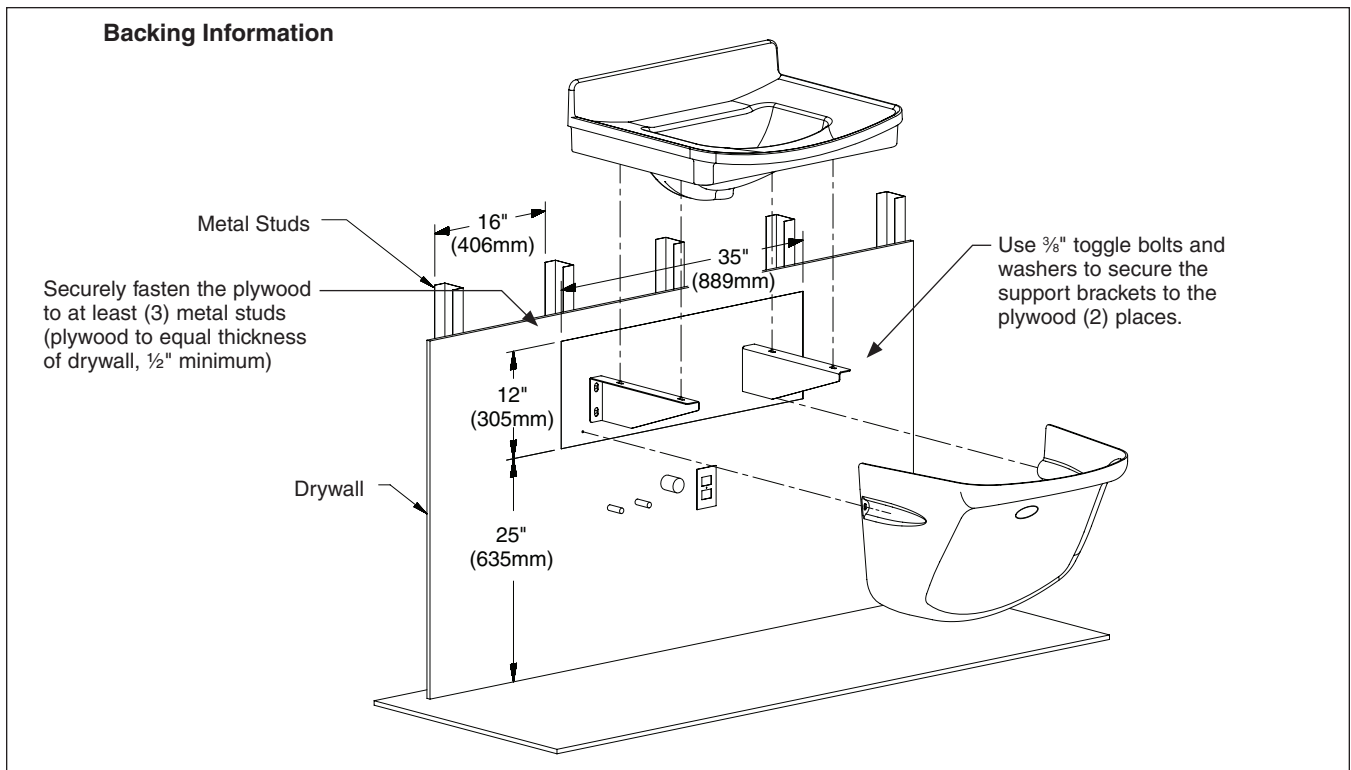
The electronically activated motor driven valve provides reliable performance since there are few moving parts. The valve includes an in-line filter to trap debris and is unaffected by most chemicals and minerals found in municipal water supplies. Valve features a factory-set maximum water run-on duration of 15 seconds. Valve control module features a manual override control for applications requiring periodic flushing of the water lines. The valve and electronics are enclosed in a water-resistant housing mounted below the fixture.

Operating water pressure range is 20–80 psi. Flow regulator keeps flow rate constant at all pressures. The flow is laminar at a rate of 0.16 gpc (gallons per cycle).

## Optional Equipment

### Models FL-1H & FL-1L

Liquid soap dispenser and plug-in adapter (to convert battery operated faucets).



Verify all rough-in dimensions prior to installation. Consult local and national codes. Conformity and compliance to local and national codes is the responsibility of the installer.

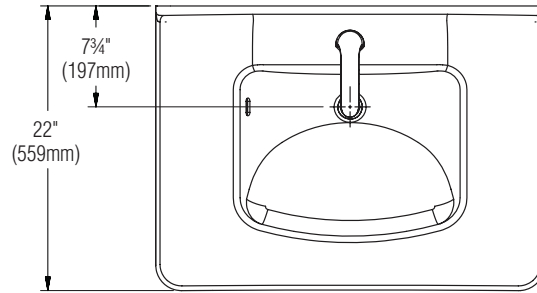
Protected by the following U.S. patent: D507,634. Other patents pending.



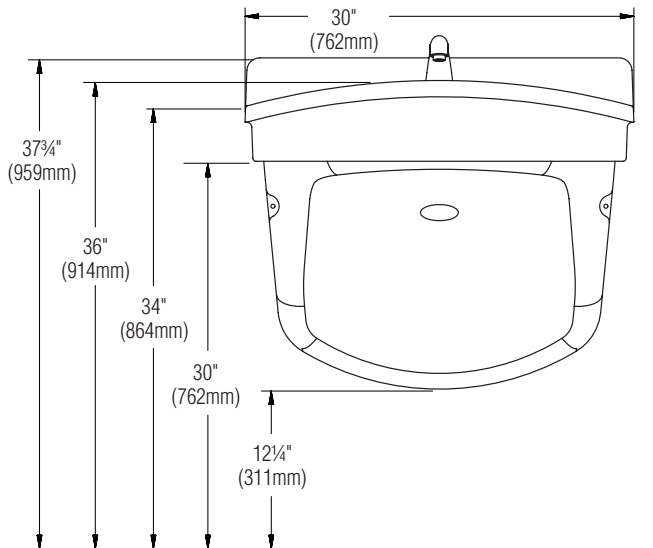
# FL-1H, FL-1L Frequency® Lavatory System – FL-Series

## Dimensions – Front and Top Views

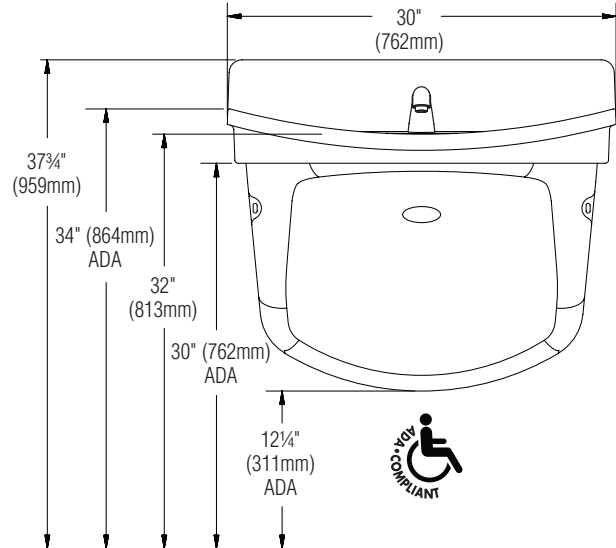
FL-1H shown  
FL-1L is similar



FL-1H



FL-1L

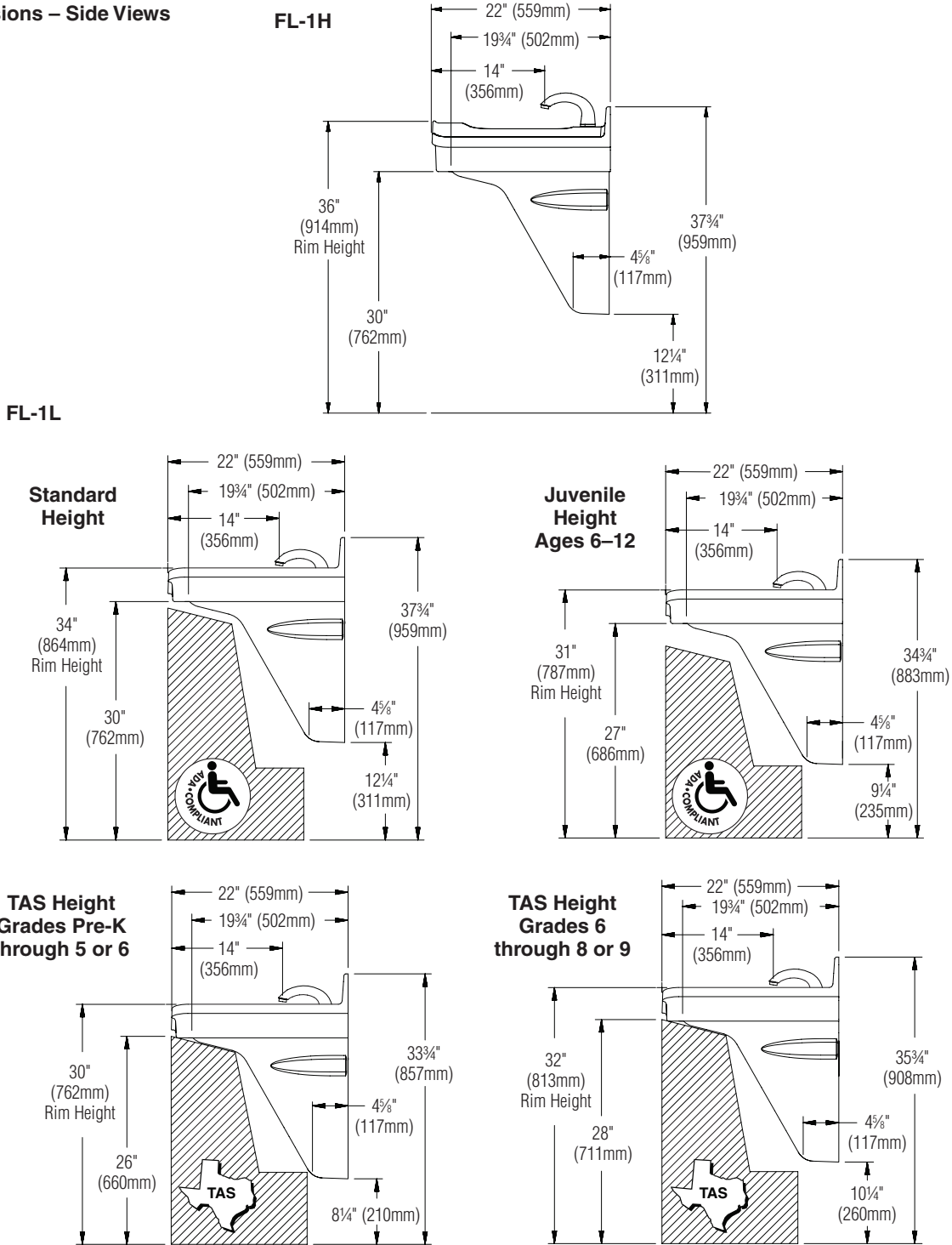


Verify all rough-in dimensions prior to installation.  
Consult local and national codes. Conformity and compliance to local and national codes is the responsibility of the installer.



# FL-1H, FL-1L Frequency® Lavatory System – FL-Series

## Dimensions – Side Views

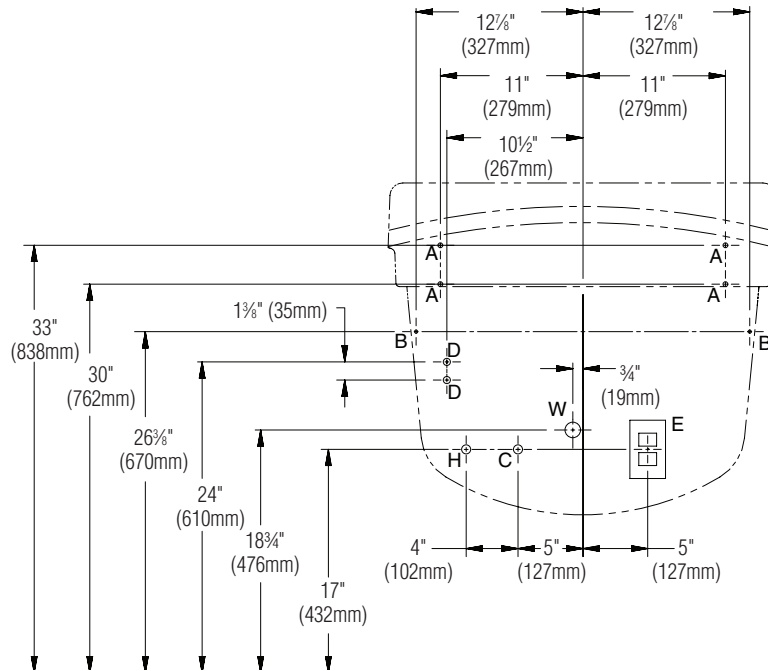


Verify all rough-in dimensions prior to installation.  
Consult local and national codes. Conformity and compliance to local and national codes is the responsibility of the installer.



# FL-1H, FL-1L Frequency® Lavatory System – FL-Series

## Rough-Ins for FL-1H



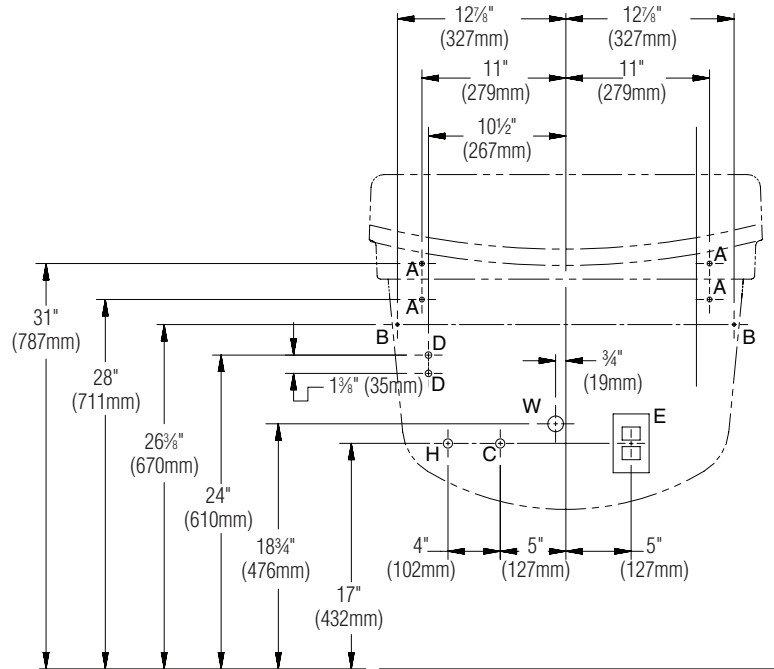
CODE	DESCRIPTION	QTY.
A	3/8" Lav Deck Anchors with a Minimum Pull-Out Force of 1,000 lbs.	4
B	#10 Wall Anchors/Fasteners for Mounting Trap Covers	2
H, C	1/2" Nominal Copper Tubing Hot/Cold Supplies, Stub-Out 2" From Wall	1
D	#10 Wall Anchors/Fasteners for Valve Mounting	2
E	110v GFI Protected Electrical Outlet	1
W	1 1/2" NPT Drain, Stub-Out 2" from Wall	1
RIM HEIGHT	VERTICAL HEIGHT ADJUSTMENTS FOR CODES A-E, H, C and W	FIXTURE STYLE
34"	None	Standard Height (non-ADA model)
30"	Subtract 4"	Juvenile Height (non-ADA model)

Verify all rough-in dimensions prior to installation.  
Consult local and national codes. Conformity and compliance to local and national codes is the responsibility of the installer.



# FL-1H, FL-1L Frequency® Lavatory System – FL-Series

## Rough-Ins for FL-1L



CODE	DESCRIPTION	QTY.
A	3/8" Lav Deck Anchors with a Minimum Pull-Out Force of 1,000 lbs.	4
B	#10 Wall Anchors/Fasteners for Mounting Trap Covers	2
H, C	1/2" Nominal Copper Tubing Hot/Cold Supplies, Stub-Out 2" From Wall	1
D	#10 Wall Anchors/Fasteners for Valve Mounting	2
E	110v GFI Protected Electrical Outlet	1
W	1 1/2" NPT Drain, Stub-Out 2" from Wall	1
RIM HEIGHT	VERTICAL HEIGHT ADJUSTMENTS FOR CODES A-E, H, C and W	FIXTURE STYLE
34"	None	Standard Height
32"	Subtract 2"	TAS, Grades 6 through 8 or 9
31"	Subtract 3"	TAS, Pre-K through Grades 5 or 6
30"	Subtract 4"	Juvenile Height

Verify all rough-in dimensions prior to installation.  
Consult local and national codes. Conformity and compliance to local and national codes is the responsibility of the installer.



# FL-1H, FL-1L Frequency® Lavatory System – FL-Series

Model	Description
<input type="checkbox"/> FL-1H	Frequency Lavatory System, Single Station (high)
<input type="checkbox"/> FL-1L	Frequency Lavatory System, Single Station (low)

## Standard Selections (Must select one from each category)

### Faucet Type (select one):

- S53-315 1200 Series CS Faucet, Centershank
- S53-315/4" 1200 Series CS Faucet, 4" Centerset with Trimplate
- 4"SET 4" Centerset (1-1/4" Drillings Only)
- SHANK Centershank (1-1/4" Drilling Only)
- NFD No Faucet Drilling

### Soap Dispenser Type (select one)

- 6334 16 oz. Plastic Globe, 3-1/2" Spout\*\*
- 6324-68 32 oz. Plastic Globe, 4" Spout\*\*
- SDO Soap Drilling Only
- NSD No Soap Dispenser

### Water Supply Type (select one):

- TMA Navigator Thermostatic Mixing Assembly (Hot & Cold Supplies - includes stops and supply hoses)
- TL Single Tempered Line (includes stops and supply hoses)
- NONE Supply hoses and shut-offs by others

### Color of Terreon Bowl/Deck (select one)

#### Standard Colors

- |  |   |
|--|---|
| <input type="checkbox"/> ALP-WHT Alpine White  | <input type="checkbox"/> LONDON London Gray     |
| <input type="checkbox"/> AVALANCHE Avalanche†  | <input type="checkbox"/> MOONSTONE Moonstone†   |
| <input type="checkbox"/> BONE Mesa Bone        | <input type="checkbox"/> O-TAUPE Organic Taupe  |
| <input type="checkbox"/> CHAR Charcoal Gray    | <input type="checkbox"/> PEBBLE Pebble Beach    |
| <input type="checkbox"/> COBBLE Cobblestone    | <input type="checkbox"/> PEP-WHT Peppered White |
| <input type="checkbox"/> DRIFT Driftwood†      | <input type="checkbox"/> POLAR Polar Ice†       |
| <input type="checkbox"/> DS-WHT Designer White | <input type="checkbox"/> SAND Sandtrap          |
| <input type="checkbox"/> DUNE Sand Dune†       | <input type="checkbox"/> S-CREEK Stone Creek    |
| <input type="checkbox"/> E-GRAY Empire Gray    | <input type="checkbox"/> S-MIST Silver Mist     |
| <input type="checkbox"/> GLACIER Glacier       | <input type="checkbox"/> WHT-SAND White Sand    |
| <input type="checkbox"/> GRAPH Graphite        |   |
| <input type="checkbox"/> LANNON Lannonstone    |   |

#### Designer Colors\* (available at an additional charge)

- |   |   |
|---|---|
| <input type="checkbox"/> ARC-CHIP Arctic Chip | <input type="checkbox"/> COFFEE Coffee Bean |
| <input type="checkbox"/> RIVER Riverstone     |   |

#### TerreonRE Colors\* (available at an additional charge)

- |  |  |
|--|--|
| <input type="checkbox"/> BIRCH-BARK Birch Bark | <input type="checkbox"/> MOONDUST Moondust |
| <input type="checkbox"/> DUSK Dusk             | <input type="checkbox"/> OAT Oat           |

#### Element Colors

- |   |  |
|---|--|
| <input type="checkbox"/> SS-GRAY Soapstone Gray | <input type="checkbox"/> CA-TAN Canyon Tan |
|---|--|

### Access Panel Type (select one)

- |                                    |  |
|------------------------------------|--|
| <input type="checkbox"/> COAL Coal | <input type="checkbox"/> STEEL Stainless Steel |
|------------------------------------|--|

### Waste Assembly Type (select one)

- CW-POLY Polypropylene Waste Assembly
- CW-CHROME Chrome-Plated Waste Assembly

## Optional Selections

### Faucet Adapter Type:

- PT Plug-in adapter to convert battery-operated S53-315 faucet

\*Non-cancelable, non-returnable

\*\* Soap dispenser is located to the right of the faucet.

† This color contains large, randomly distributed chips.

Verify all rough-in dimensions prior to installation.  
Consult local and national codes. Conformity and compliance to local and national codes is the responsibility of the installer.

Page 7 of 7 7/9/2018

This information is subject to change without notice.

Bradley\_Sink\_Frequency\_FL-1L\_1H

© 2018 Bradley  
P.O. Box 309, Menomonee Falls, WI 53052-0309  
800 BRADLEY (800 272 3539) +1 262 251 6000  
bradleycorp.com