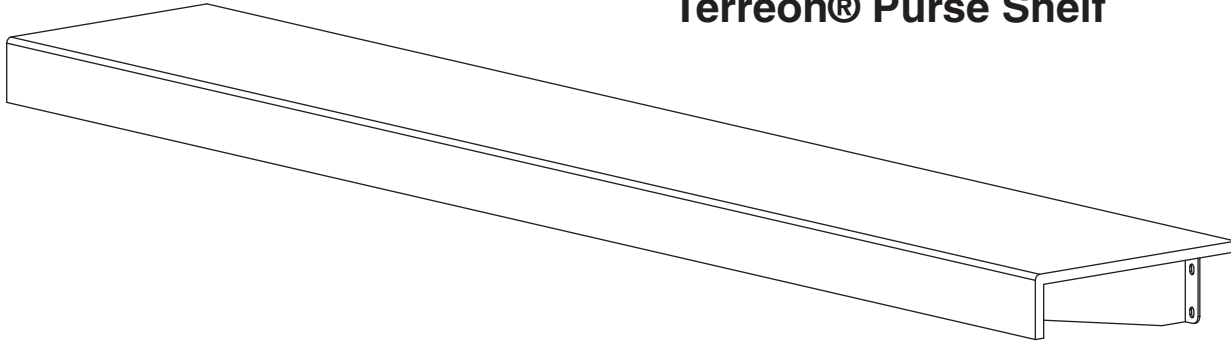


# Installation

## P-SHELF

Terreon® Purse Shelf



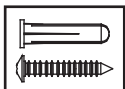
### **IMPORTANT**



Read this entire installation manual to ensure proper installation. When finished with the installation, file this manual with the owner or maintenance department. Compliance and conformity to local codes and ordinances is the responsibility of the installer.



Separate parts from packaging and make sure all parts are accounted for before discarding any packaging material. If any parts are missing, do not begin installation until you obtain the missing parts.



Wall framing or bracing is required to provide proper support for the shelf. Wall anchors used must have a minimum pull-out rating of 300 lbs.

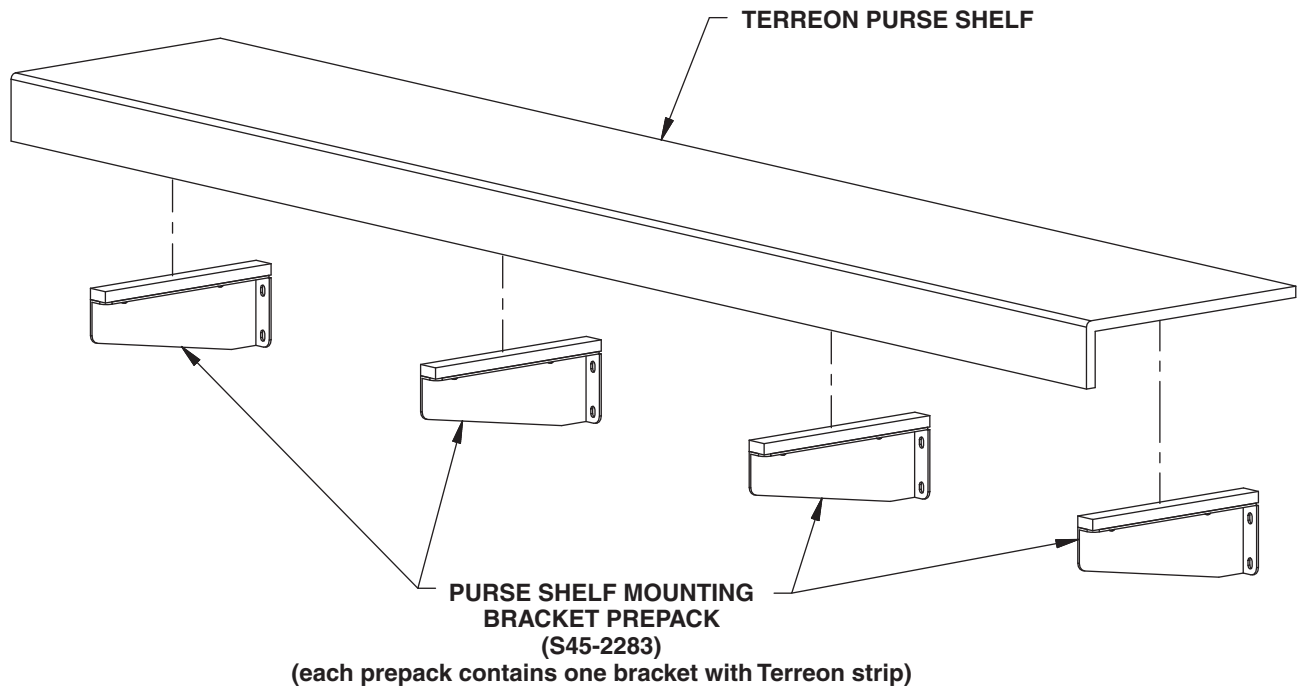


Terreon® solid surface material care and maintenance information may be found under "Products" on our web site at [bradleycorp.com](http://bradleycorp.com).

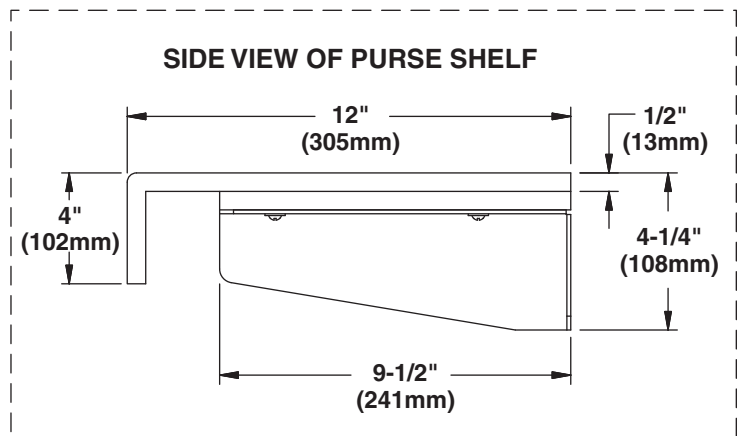


Product warranties may be found under "Products" on our web site at [bradleycorp.com](http://bradleycorp.com).

# Components



Shelf Length	Bracket Qty.
1'-0" to 3'-0"	2
3'-1" to 5'-0"	3
5'-1" to 7'-0"	4
7'-1" to 9'-0"	5
9'-1" to 11'-0"	6
11'-1" to 14'-0"	7



## Supplies Required

- wall framing or bracing
- 1/4"-20 wall anchors (qty. 2 per bracket)
- silicone caulk/sealant

## Tools Recommended

- Screwdrivers
- Tools for mounting wall anchors
- Level
- Tools for trimming solid surface material

### NOTE!

*Purse shelves over 10'-0" are shipped in sections and must be seamed in the field by the installer. Refer to manual #215-1463 for seaming instructions.*

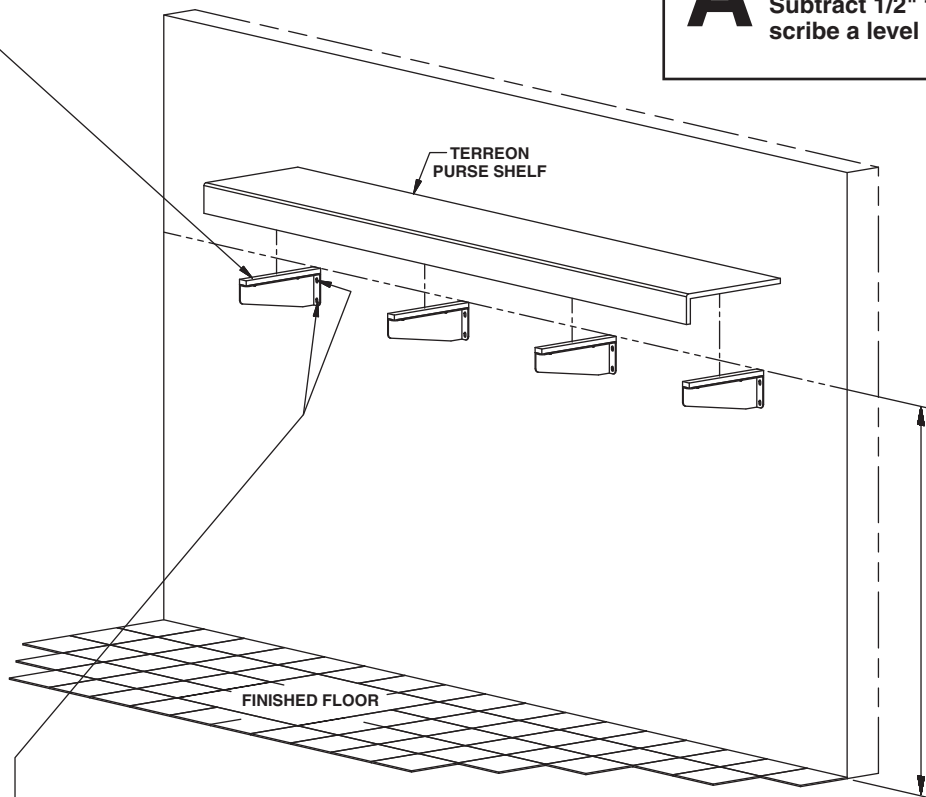
# Installation

**C**

Apply adhesive to the top of each Terreon mounting strip on the brackets. Carefully place the Terreon purse shelf onto the mounting strips.

**A**

Determine the desired shelf height from the purse shelf top to the finished floor. Subtract 1/2" from the shelf height and scribe a level line on the wall at this height.



**B**

Measure and scribe equally-spaced locations on the level line for the wall anchors and install the anchors (supplied by installer, two for each bracket) to the wall framing or bracing (supplied by installer).

Secure the mounting brackets to the wall anchors using two 1/4"-20 fasteners and washers (supplied by installer) for each bracket.

**NOTE!**

*If the purse shelf is being installed into an alcove, wood cleats can be used to secure the ends of the purse shelf (if additional support is needed).*