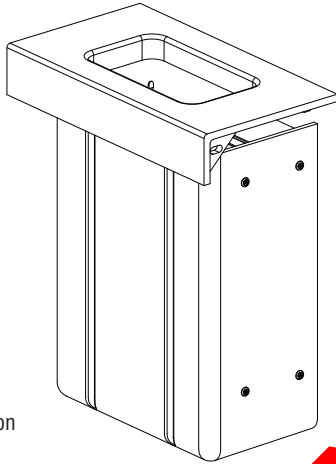


LSA or RSA Option



Between Option

Installation

SS-WR

Terreon® Waste Receptacle SS- and SS-N Series

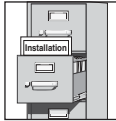
Table of Contents

Supplies Required	2
Bowl Installation	2
Wall Installation	3

DISCONTINUED



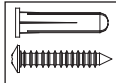
IMPORTANT!



Read this entire installation manual to ensure proper installation. When finished with the installation, file this manual with the owner or maintenance department. Compliance and conformity to local codes and ordinances is the responsibility of the installer.



Separate parts from packaging and make sure all parts are accounted for before discarding packaging material. If any parts are missing, do not begin installation until you obtain the missing parts.



Wall Anchors used must have a minimum pull-out force of 300 lbs.



Terreon solid surface material care and maintenance information may be found under "Product Information" on our web site at www.bradleycorp.com. Select document #9902 (and, if applicable, document #1505 containing additional information for darker-colored material).

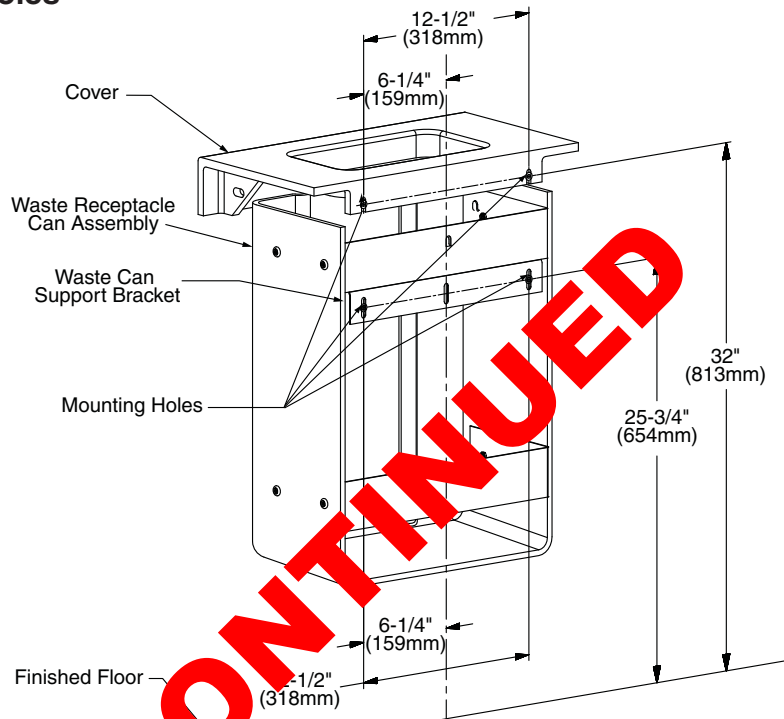


Product warranties may be found under "Product Information" on our web site at www.bradleycorp.com.

Supplies Required:

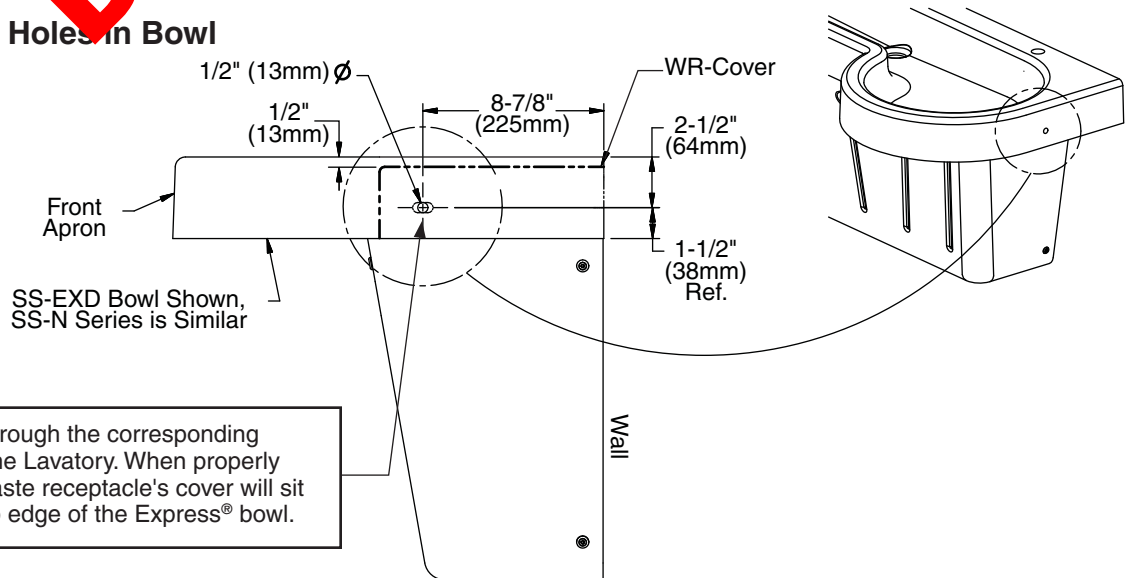
- (4) 1/4"-20 wall anchors and screws
- Optional: (2) additional 1/4" wall anchors for side wall mounting
- Caulk

1 Rough In Mounting Holes



DISCONTINUED

2 Drill Mounting Holes in Bowl



A Drill a 1/2" hole through the corresponding side apron(s) of the Lavatory. When properly positioned, the waste receptacle's cover will sit 1/2" below the top edge of the Express® bowl.

3 Attach Cover to Bowl



All configurations of this product attach to the wall the same way, but will attach to the Express Lav differently. Please refer to the installation that most closely matches yours.

Bowl/Bowl Installation

A Thread supplied 3/8" hex screws through holes drilled in bowl and attach cover with supplied nuts and washers. Caulk seams as required.

B Attach back flange of cover to wall with 1/4"-20 wall anchors and screws (supplied by installer).

C Attach the waste receptacle support bracket to the wall with 1/4" x 20 bolts and suitable wall anchors (supplied by installer). Hang the receptacle.



If necessary, trim cover piece to fit using carbide tip blade.

DISCONTINUED

Bowl/Wall Installation

A Thread supplied 3/8" hex screw through hole drilled in bowl and attach cover with supplied washers and nut. Caulk seams as required.

Bowl/Freestanding Installation

B Attach back flange of cover to wall with 1/4"-20 wall anchors and screws (supplied by installer).

C Attach wall side of cover to wall with suitable cleat (supplied by installer).

D Attach the waste receptacle support bracket to the wall with 1/4" x 20 bolts and suitable wall anchors (supplied by installer). Hang the receptacle.

C Attach reinforcing bracket to wall using suitable fasteners (supplied by installer).