

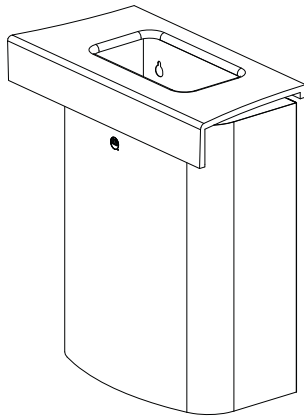
Installation

MG-WR

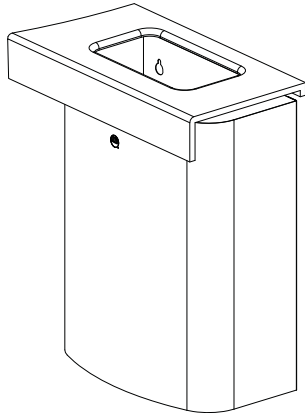
Terreon® Waste Receptacle MG Series

Table of Contents

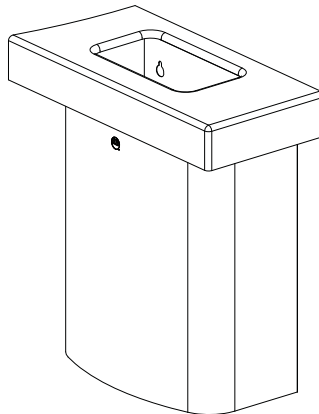
Supplies Required	2
Wall Installation	2
Bowl Installation	3



Between
Option



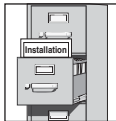
AL or AR
Option



LSA or RSA
Option



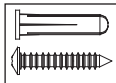
IMPORTANT!



Read this entire installation manual to ensure proper installation. When finished with the installation, file this manual with the owner or maintenance department. Compliance and conformity to local codes and ordinances is the responsibility of the installer.



Separate parts from packaging and make sure all parts are accounted for before discarding packaging material. If any parts are missing, do not begin installation until you obtain the missing parts.



Wall Anchors used must have a minimum pull-out force of 300 lbs.



Terreon solid surface material care and maintenance information may be found under "Product Information" on our web site at www.bradleycorp.com. Select document #9902 (and, if applicable, document #1505 containing additional information for darker-colored material).

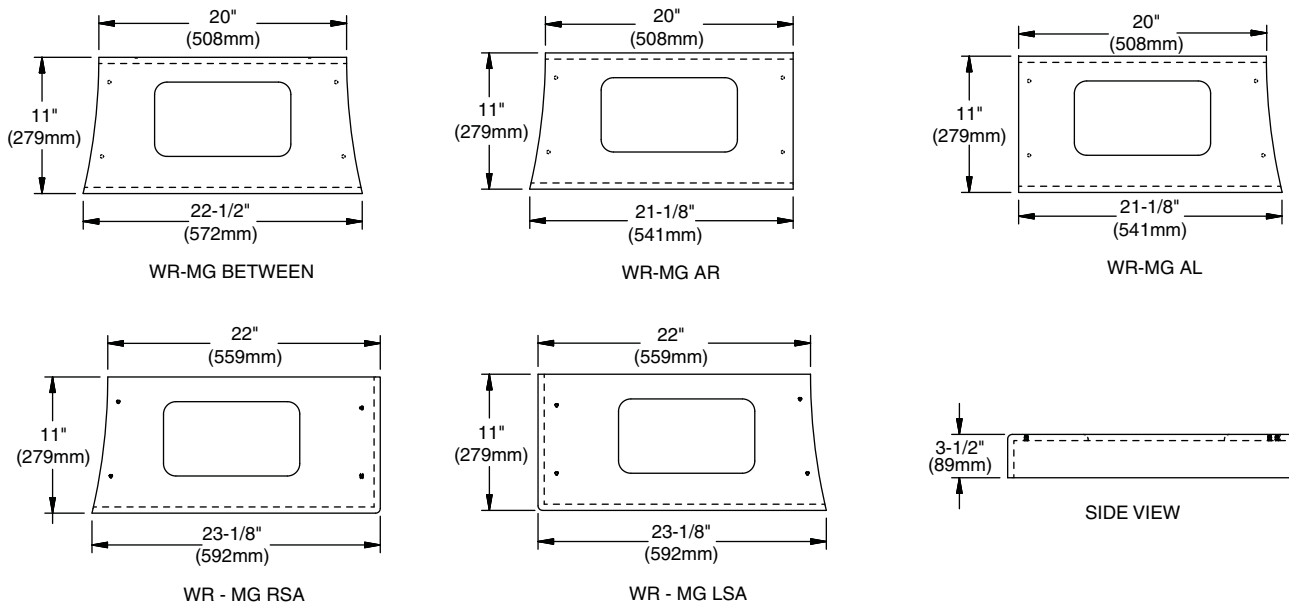


Product warranties may be found under "Product Information" on our web site at www.bradleycorp.com.

Supplies Required:

- (2) 1/4"-20 wall anchors and screws
- Optional: (2) additional 1/4" wall anchors for Freestanding Installation
- Caulk

Rough-In Dimensions for Cover

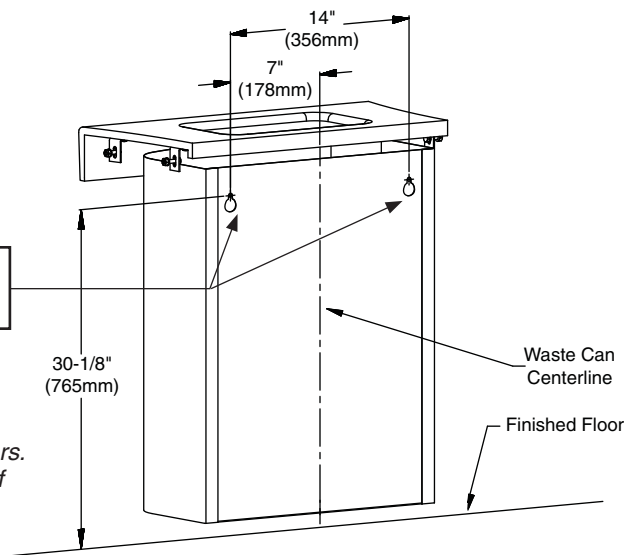


1 Drill Mounting Holes in Wall

A Using (2) 1/4"-20 wall anchors and screws, attach the waste receptacle to the wall.

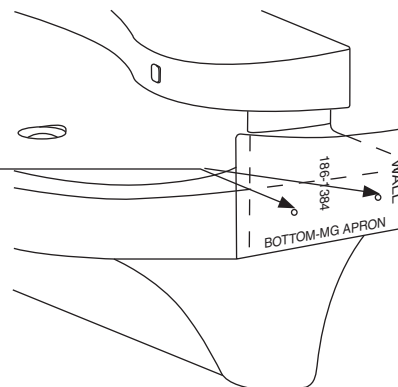


Optional vinyl liner comes with hook-and-lop fasteners. Alcohol swabs are provided for cleaning the inside of the waste receptacle prior to attaching the fasteners.



2 Drill Mounting Holes in Bowl

A Drill (2) 1/2" holes through the corresponding side apron(s) of the Lavatory, using template (part no. 186-1384) as a guide. When properly positioned, the waste receptacle's cover will sit 1/2" below the top edge of the Express® bowl.



3 Attach to Bowl and Wall



All configurations of this product attach to the wall and to the Express Lav differently. Please refer to the installaton that most closely matches yours.

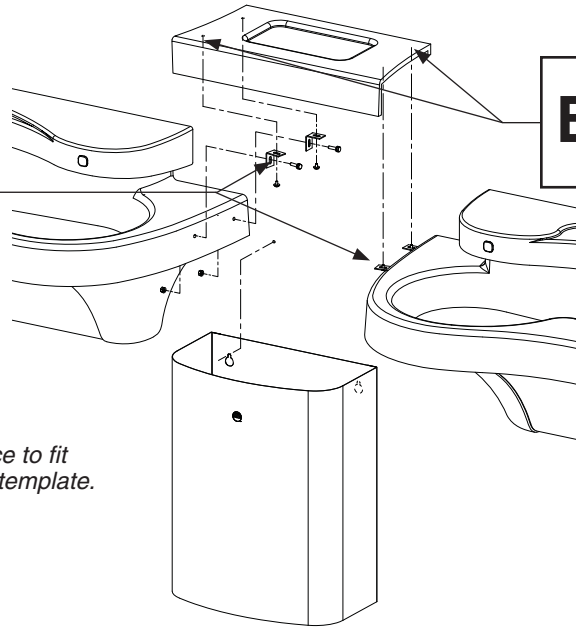
Bowl/Bowl Installation

A Attach brackets to each side apron using supplied 1/4-20 hex bolts, washers and nuts.

B Position MG-WR cover onto the brackets and secure in place with (4) supplied #10 screws and washers. Caulk all seams as required.



If necessary, trim cover piece to fit by following supplied curve template. Use carbide tip blade.



Bowl/Wall Installation

B Attach wall side of cover to wall with suitable cleat (supplied by installer).

A Attach brackets to side apron using supplied 1/4-20 hex bolts, washers and nuts.

Bowl/Freestanding Installation

B Attach reinforcing bracket to wall with suitable fasteners (supplied by installer).

C Position MG-WR cover and secure in place with (2) supplied #10 screws and washers. Caulk all seams as required.

