



Terreon® 54" Circular, 8-1/2" Deep Bowl Washfountain

- cUPC Certified
- ADA and TAS Compliant
- Suitable for Heavy Duty Hand Washing
- Reliable Air, TouchTime® or Infrared Activations
- Vandal Resistant - Easy to Clean
- Three Different Heights (Including Juvenile and Intermediate Heights)

Specifications

Size and Capacity

Accommodates up to 8 users at a time, using less water, energy and space than lavs equipped with conventional faucets. The Classic Sprayhead (non-sectional) is controlled by an infrared sensor, electronic pushbutton or piezo switch or air activated pushbutton. The operating range is 20-80 PSI.

Construction

Bowl Materials

Constructed of Terreon®, a densified solid surface material composed of bio-based resin, or Terreon®RE, a densified solid surface material composed of a bio-based resin and preconsumer recycled granules. Terreon and TerreonRE are resistant to chemicals, stains, burns and impact. Surface damage can be easily repaired with everyday cleansers or fine grit abrasives. Terreon and TerreonRE are Home Innovation Lab certified to meet CSA B45.5/IAPMO Z124. Terreon and TerreonRE are GREENGUARD® certified as low-emitting materials.

Trap Enclosure/Pedestal

Tapered pedestal is fabricated from a reinforced, gel-coated fiberglass. The pedestal incorporates a large access panel, for ease of installation and maintenance, as well as a 6" stainless steel kickplate to prevent damage.

Vandal Resistance

All sensors, pushbuttons or switches are secured to the unit from inside the sprayhead to prevent tampering. If a vandal attempts to trigger constant operation by covering the sensor or by placing a stationary object in the sensors detection area, the adaptive infrared sensor will automatically shut off water flow after 30 seconds. All valves, water supplies and waste connections are concealed inside the pedestal. The Terreon and TerreonRE bowls are resistant to stains, burns and impact; surface damage is repairable and once repaired, undetectable.

Valves and Fittings

In addition to bowl and pedestal, the following valves and fittings are standard: sprayhead with stainless steel support tube and bowl gasket; spud with locknut and strainer; sprayhead supply tubing; manual mixing valve, stops, checks, strainers, flexible stainless steel supply hoses; and adjustable volume control valve.

Activation Types

Infrared

Hands placed within the bowl are detected by an infrared sensor module which activates a flow of tempered water from the classic non-sectional sprayhead. Shut-off is automatic after hands are removed from the detection area. The infrared sensor uses a conical-shaped transmitting beam, having a detection area adapted to, but not exceeding, the bowl perimeter. The infrared sensor automatically adapts to the bowl after power is turned on. The infrared sensor is not affected by varying color tones or darkness. Direct sunlight or bright washroom lights will not activate the system. Infrared models also include solenoid valves and a 12V plug-in adapter as standard equipment:

- Solenoid – 12VDC, 3/4" NPT. Few moving parts, and resistant to most chemicals, minerals, and impurities often present in municipal water supplies.
- Low-Voltage Adapter – A UL/CSA listed 120VAC/12VDC plug-in adapter plugs into a standard GFCI protected electrical outlet. Location of transformer per local electrical code.



Air

Each push button pneumatically actuates a non-hold-open, air metering, single-temperature valve with field adjustable timing from 0–45 seconds. Factory preset at 12 seconds. Each push button activates a flow of tempered water from the classic non-sectional sprayhead. Push button requires less than five pounds of pressure.

TouchTime®

Each low-voltage mechanical pushbutton or piezo switch actuates a non-hold-open, slow-closing anti-hammer solenoid valve that is timed from an electronic potted assembly. Each push button activates a flow of tempered water from the classic non-sectional sprayhead. TouchTime controls water flow through the use of solid state, digital circuitry. Timing is factory set at 12 second run time but is field adjustable to pre-set timeout periods and optional auto-flush function. The 24 hour flush function will activate water flow for a period of 60 seconds any time there has been no activation within the past 24 hours. Push button and piezo switch requires less than five pounds of pressure.

Code Compliance and Certifications

cUPC Certified

The Terreon and TerreonRE Deep Bowl Washfountains are Uniform Plumbing Code (cUPC), International Plumbing Code (IPC) and National Plumbing Code of Canada certified through the International Association of Plumbing and Mechanical Officials (IAPMO). Manufactured in compliance with IGC 156-2012, CSA B45 Series-2012 (R2013) & ASME A112.18.1-2012/CSA B125.1-12.

ANSI Standards

Terreon and TerreonRE are certified by Home Innovation Lab to meet CSA B45.5/IAPMO Z124.

Standard Height Mounting

- The TDB3108 at standard height is designed to comply with all ADA guidelines on reaches, clearances and operation.
- Optional equipment may not comply with all ADA dimensional guidelines.

Juvenile Height Mounting

The TDB3108 is designed to mount at different heights to comply with guidelines on reaches, clearances and operation for various codes including, ADA Accessibility Guidelines for Buildings and Facilities (ADAAG) and TAS (Texas Accessibility Standards). Always check your local and state codes.

Protected by U.S. patent: D433109

- Standard product selections contained within this document are third party **CERTIFIED** to NSF/ANSI 372 meeting the Lead-Free content requirement. Any product configured with custom options will be **COMPLIANT** with NSF/ANSI 372 meeting the Lead-Free content requirement.





Terreon® 54" Circular, 8-1/2" Deep Bowl Washfountain

Standard Selections (Must select one from each category)

Drain Type (select one)

O Off-line vent with supplies from above

B Centrally rising vent with supplies from above

A Off-line vent with supplies from below

H Centrally rising vent with supplies from below

Mounting Height Type (select one)

STD Standard Height 34" Rim

JUV Juvenile Height 30" Rim

TAS Intermediate Height 32" Rim

Sprayhead Type (select one)

CLC Classic Sprayhead (entire sprayhead activates)

Activation Type (select one)

IRP Infrared **TTPA** TouchTime Pushbutton §

AST4 Air Pushbutton **TTPB** TouchTime Piezo Switch §

Water Supply Type (select one)

TL Tempered Line

TMA Thermostatic Mixing Valve

Soap Dispenser Type (select one)

LSD Liquid Soap Dispenser* **MPSD** Metal-Clad Powdered Soap Dispenser*

PSD Powdered Soap Dispenser* **NSD** No Soap Dispenser

MLSD Metal-Clad Liquid Soap Dispenser* **SA** Cube Adapter for Individual Soap Dispensers (dispensers sold separately)‡

Color of Terreon Bowl (select one)

Standard Colors

<input type="checkbox"/> ALP-WHT Alpine White	<input type="checkbox"/> LONDON London Gray
<input type="checkbox"/> AVALANCHE Avalanche †	<input type="checkbox"/> MOONSTONE Moonstone †
<input type="checkbox"/> BONE Mesa Bone	<input type="checkbox"/> O-TAUPE Organic Taupe
<input type="checkbox"/> CHAR Charcoal Gray	<input type="checkbox"/> PEBBLE Pebble Beach
<input type="checkbox"/> COBBLE Cobblestone	<input type="checkbox"/> PEP-WHT Peppered White
<input type="checkbox"/> DRIFT Driftwood †	<input type="checkbox"/> POLAR Polar Ice †
<input type="checkbox"/> DS-WHT Designer White	<input type="checkbox"/> SAND Sandtrap
<input type="checkbox"/> DUNE Sand Dune †	<input type="checkbox"/> S-CREEK Stone Creek
<input type="checkbox"/> E-GRAY Empire Gray	<input type="checkbox"/> S-MIST Silver Mist
<input type="checkbox"/> GLACIER Glacier	<input type="checkbox"/> WHT-SAND White Sand
<input type="checkbox"/> GRAPH Graphite	
<input type="checkbox"/> LANNON Lannonstone	

*Designer Colors** (available at an additional charge)*

<input type="checkbox"/> ARC-CHIP Arctic Chip	<input type="checkbox"/> RIVER Riverstone
<input type="checkbox"/> COFFEE Coffee Bean	

*TerreonRE Colors** (available at an additional charge)*

<input type="checkbox"/> BIRCH-BARK Birch Bark	<input type="checkbox"/> MOONDUST Moondust
<input type="checkbox"/> DUSK Dusk	<input type="checkbox"/> OAT Oat

Optional Selections

Shroud Type

SH Stainless Steel Shroud (Conceals overhead plumbing)**

NONE No Shroud

Support Tube Reinforcement Type

TA 1-1/2" Tie Pipe Assembly (not required when SH is selected)**

NONE No Tie Pipe Assembly

Towel Dispenser Type

CFTD (3) C-Fold, Multi-Fold Dispenser*

SFTD (3) Single Fold Dispensers*

NONE No Towel Dispenser

* Optional equipment may not comply with all ADA guidelines

** Non-cancelable, non-returnable.

† This color contains large, randomly distributed chips.

‡ Towel Dispenser with SA soap option is non-cancelable, non-returnable.

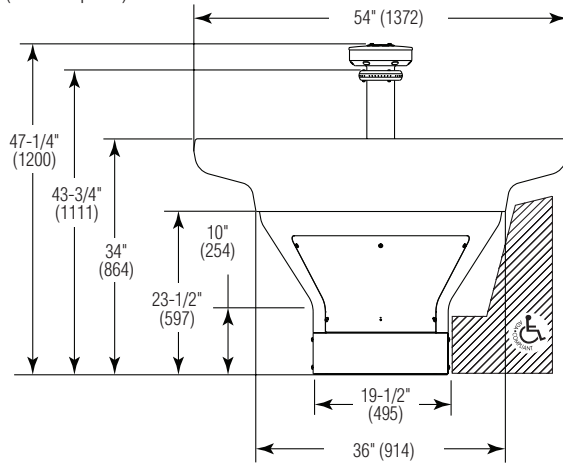
§ TTPA and TTPB valves require a low-voltage UL/CSA listed 120VAC/12VDC plug-in adapter.



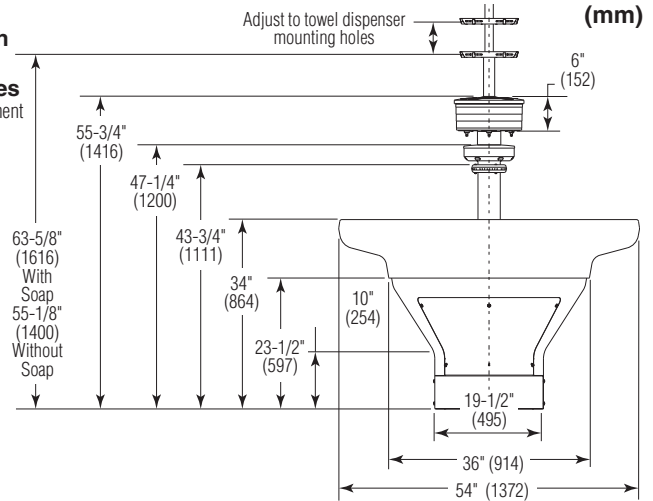
TDB3108

Terreon® 54" Circular, 8-1/2" Deep Bowl Washfountain

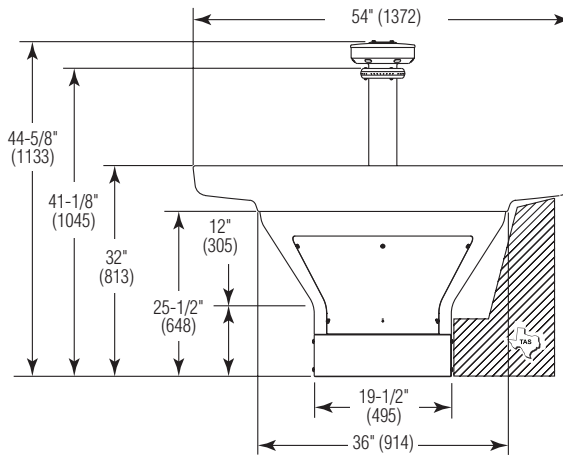
Dimensions – Standard Height (ADA compliant)



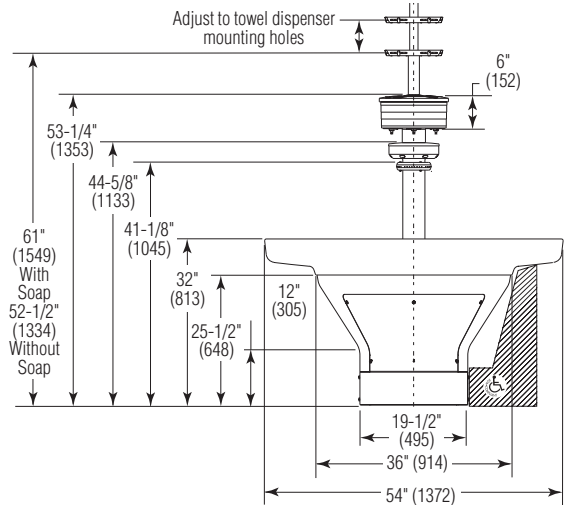
Standard Height with Optional Accessories Optional equipment may not comply with all ADA dimensional guidelines



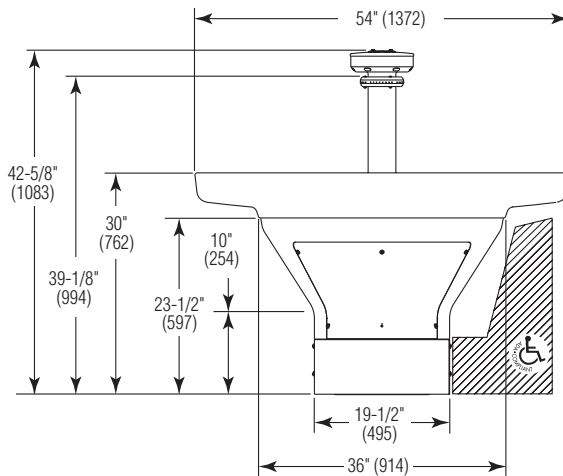
Dimensions – TAS Intermediate



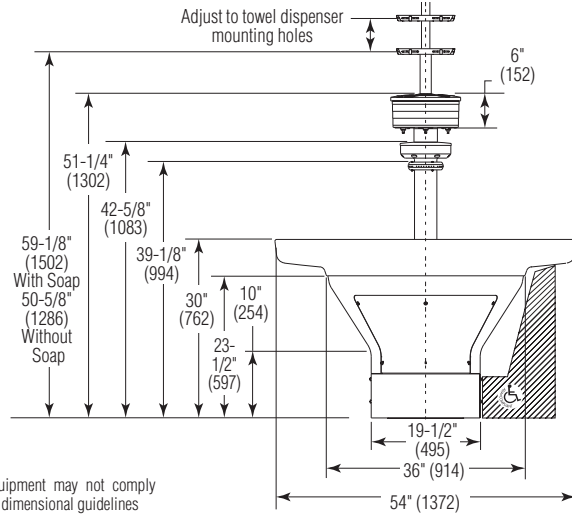
TAS Height with Optional Accessories Optional equipment may not comply with all TAS dimensional guidelines



Juvenile Height



Juvenile Height with Optional Accessories Optional equipment may not comply with all ADA or TAS dimensional guidelines





Terreon® 54" Circular, 8-1/2" Deep Bowl Washfountain

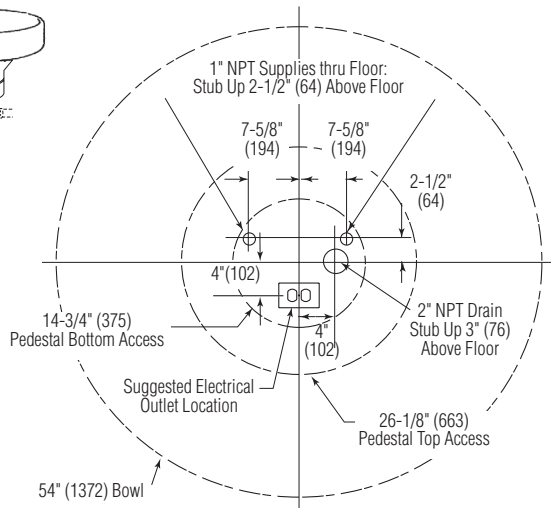
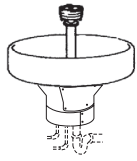
TDB3108

(mm)

Rough-Ins – 54" Circular

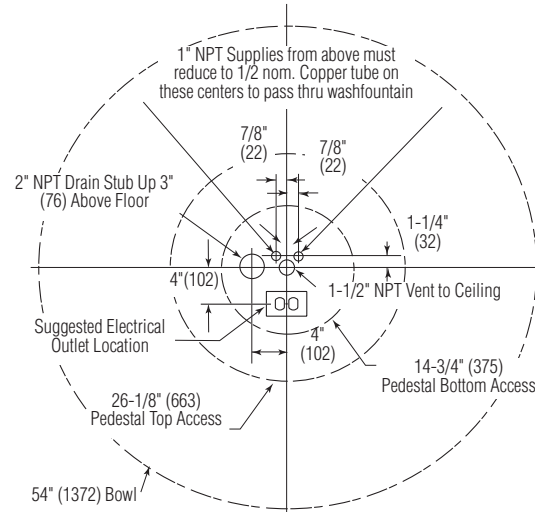
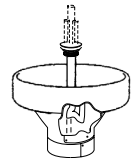
Type A

– Off-line vent with supplies from below.



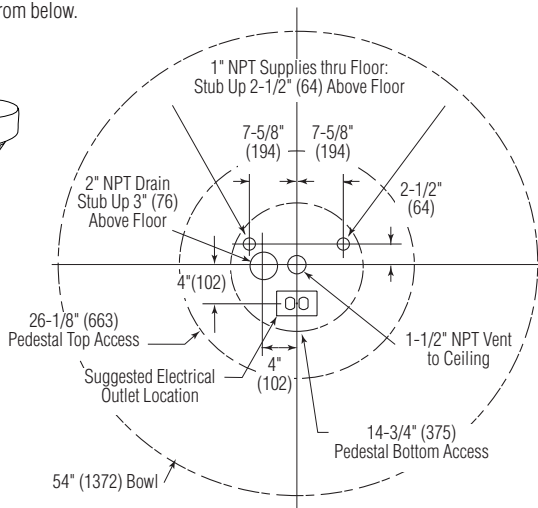
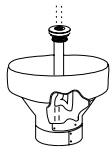
Type B

– Centrally rising vent with supplies from above.



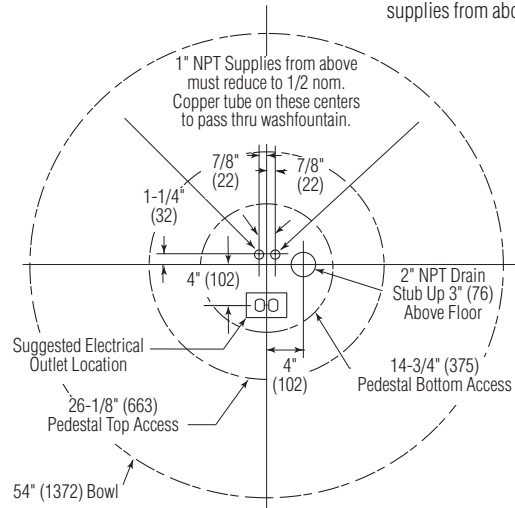
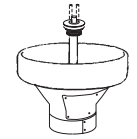
Type H

– Centrally rising vent with supplies from below.



Type O

– Off-line vent with supplies from above.



Rough-In Notes

1. All pipes and fittings not furnished by Bradley are shown in broken lines.
2. Supply lines for one to two washfountains should be 1"; for three washfountains 1-1/4"; for more than three washfountains, pipe sizes should be increased proportionately.
3. Overhead supplies must be reduced to 1/2" copper tube to pass through support tube.
4. Check valve inlets are 1/2" NPT.
5. Check local codes when electrical outlet used with infrared and TouchTime valving is ordered. Outlet may be required to be in a remote location.