



Terreon® 36" Semi-Circular, 7-1/2" Deep Bowl Washfountain

- cUPC Certified
- ADA and TAS Compliant
- Suitable for Heavy Duty Hand Washing
- Reliable Air, TouchTime® or Infrared Activations
- Vandal Resistant - Easy to Clean
- Wall-Hung or Pedestal-to-Floor in Three Different Heights (Including Juvenile Height)

Specifications

Size and Capacity

Accommodates up to 3 users at a time, using less water, energy and space than lavs equipped with conventional faucets. The Classic Sprayhead (non-sectional) is controlled by an infrared sensor, electronic pushbutton or piezo switch or air activated pushbutton. The operating range is 20-80 PSI.

Construction

Bowl Materials

Constructed of Terreon®, a densified solid surface material composed of bio-based resin, or Terreon®RE, a densified solid surface material composed of a bio-based resin and preconsumer recycled granules. Terreon and TerreonRE are resistant to chemicals, stains, burns and impact. Surface damage can be easily repaired with everyday cleansers or fine grit abrasives. Terreon and TerreonRE are Home Innovation Lab certified to meet CSA B45.5/IAPMO Z124. Terreon and TerreonRE are GREENGUARD® certified as low-emitting materials.

Trap Enclosure/Pedestal

Choose from a wall-hung trap enclosure support or full-length pedestal. Both are fabricated from reinforced, gel-coated fiberglass with a stainless steel trim piece or kick plate to prevent damage. A large access panel is provided for ease of installation and maintenance.

Vandal Resistance

The infrared sensors, push buttons or switches are secured to the unit from inside a heavy gauge stainless steel module to prevent tampering. If a vandal attempts to trigger constant operation by covering the sensor or placing a stationary object in the sensor's detection area, the infrared sensor will automatically shut off the water flow after 30 seconds. All valves, water supplies and waste connections are concealed inside the pedestal/trap enclosure. The Terreon and TerreonRE bowls are resistant to stains, burns and impact; surface damage is easily repaired and repair work is virtually undetectable.

Standard Equipment

Valves and Fittings

In addition to the bowl and pedestal, the following valves and fittings are standard: sprayhead with stainless steel support tube and bowl gasket; drain and tailpiece with strainer; sprayhead supply tubing; Navigator® thermostatic mixing valve; flexible stainless steel supply hoses; stops, and adjustable volume control valve.

Activation Types

Infrared

Hands placed within the bowl are detected by an infrared sensor module which activates a flow of tempered water from the classic non-sectional sprayhead. Shut-off is automatic after hands are removed from the detection area. The infrared sensor uses a conical-shaped transmitting beam, having a detection area adapted to, but not exceeding, the bowl perimeter. The infrared sensor automatically adapts to the bowl after power is turned on. The infrared sensor is not affected by varying color tones or darkness. Direct sunlight or bright washroom lights will not activate the system. Infrared models also include solenoid valves and a 12V plug-in adapter as standard equipment:

- Solenoid – 12VDC, 1/2" supply inlet. Few moving parts, and resistant to most chemicals, minerals, and impurities often present in municipal water supplies.
- Low-Voltage Adapter – A UL/CSA listed 120VAC/12VDC plug-in adapter plugs into a standard GFCI protected electrical outlet. Location of plug-in adapter per local electrical code.

Air

Each push button pneumatically actuates a non-hold-open, air metering, single-temperature valve with field adjustable timing from 0–45 seconds. Factory preset at 12 seconds. Each push button activates a flow of tempered water from the classic non-sectional sprayhead. Push button requires less than five pounds of pressure.



TouchTime

Each low-voltage mechanical pushbutton or piezo switch actuates a non-hold-open, slow-closing anti-hammer solenoid valve that is timed from an electronic potted assembly. Each push button activates a flow of tempered water from the classic non-sectional sprayhead. TouchTime controls water flow through the use of solid state, digital circuitry. Timing is factory set at 12 second run time but is field adjustable to pre-set timeout periods and optional auto-flush function. The 24 hour flush function will activate water flow for a period of 60 seconds any time there has been no activation within the past 24 hours. Push button and piezo switch requires less than five pounds of pressure.

Code Compliance and Certifications

ANSI Standards

Terreon and TerreonRE are certified by Home Innovation Lab to meet CSA B45.5/IAPMO Z124.

cUPC Certified

The Terreon and TerreonRE Deep Bowl Washfountains are Uniform Plumbing Code (cUPC), International Plumbing Code (IPC) and National Plumbing Code of Canada certified through the International Association of Plumbing and Mechanical Officials (IAPMO). Manufactured in compliance with IGC 156-2012, CSA B45 Series-2002 (R2013) & ASME A112.18.1-2012/CSA B125.1-12.

ADA Compliant

The 36" Terreon and TerreonRE Deep Bowl Washfountains comply with all ADA and TAS guidelines on reaches, clearances and operations. Optional equipment may not comply with all ADA dimensional guidelines.

Juvenile Height

The TDB3103 with juvenile height and infrared options selected meets the ADA guidelines for Juvenile height. It also meets the Texas accessibility standard for Juvenile Lavatories in 30" rim height. The product complies with accessibility codes when installed in accordance with manufactures instructions.

Protected by U.S. patent: D433109

Standard product selections contained within this document are third party **CERTIFIED** to NSF/ANSI 372 meeting the Lead-Free content requirement. Any product configured with custom options will be **COMPLIANT** with NSF/ANSI 372 meeting the Lead-Free content requirement.





Terreon® 36" Semi-Circular, 7-1/2" Deep Bowl Washfountain

Standard Selections (Must select one from each category)	
Drain Type (select one)	
<input type="checkbox"/> A	Off-line vent with supplies from below
<input type="checkbox"/> O	Off-line vent with supplies from above
Mounting Height Type (select one)	
<input type="checkbox"/> WALL	Wall Hung Trap Enclosure/Support
<input type="checkbox"/> STD	Pedestal - Standard Height 34" Rim
<input type="checkbox"/> JUV	Juvenile Height 30" Rim
<input type="checkbox"/> TAS	Intermediate Height 32" Rim
Sprayhead Type (select one)	
<input type="checkbox"/> CLC	Classic Sprayhead (entire sprayhead activates)
Activation Type (select one)	
<input type="checkbox"/> IRP	Infrared
<input type="checkbox"/> AST4	Air Pushbutton
<input type="checkbox"/> TTPA	TouchTime Pushbutton†
<input type="checkbox"/> TTPB	TouchTime Piezo Switch‡
Water Supply Type (select one)	
<input type="checkbox"/> TL	Tempered Line
<input type="checkbox"/> TMA	Thermostatic Mixing Valve
Soap Dispenser Type (select one)	
<input type="checkbox"/> LSD	Liquid Soap Dispenser*
<input type="checkbox"/> PSD	Powdered Soap Dispenser*
<input type="checkbox"/> MLSD	Metal-Clad Liquid Soap Dispenser*
<input type="checkbox"/> MPSD	Metal-Clad Powdered Soap Dispenser*
<input type="checkbox"/> NSD	No Soap Dispenser
Color of Terreon Bowl (select one)	
<i>Standard Colors</i>	
<input type="checkbox"/> ALP-WHT	Alpine White
<input type="checkbox"/> AVALANCHE	Avalanche †
<input type="checkbox"/> BONE	Mesa Bone
<input type="checkbox"/> CHAR	Charcoal Gray
<input type="checkbox"/> COBBLE	Cobblestone
<input type="checkbox"/> DRIFT	Driftwood †
<input type="checkbox"/> DS-WHT	Designer White
<input type="checkbox"/> DUNE	Sand Dune †
<input type="checkbox"/> E-GRAY	Empire Gray
<input type="checkbox"/> GLACIER	Glacier
<input type="checkbox"/> GRAPH	Graphite
<input type="checkbox"/> LANNON	Lannonstone
<input type="checkbox"/> LONDON	London Gray
<input type="checkbox"/> MOONSTONE	Moonstone †
<input type="checkbox"/> O-TAUPE	Organic Taupe
<input type="checkbox"/> PEBBLE	Pebble Beach
<input type="checkbox"/> PEP-WHT	Peppered White
<input type="checkbox"/> POLAR	Polar Ice †
<input type="checkbox"/> SAND	Sandtrap
<input type="checkbox"/> S-CREEK	Stone Creek
<input type="checkbox"/> S-MIST	Silver Mist
<input type="checkbox"/> WHT-SAND	White Sand
<i>Designer Colors** (available at an additional charge)</i>	
<input type="checkbox"/> ARC-CHIP	Arctic Chip
<input type="checkbox"/> COFFEE	Coffee Bean
<input type="checkbox"/> RIVER	Riverstone
<i>TerreonRE Colors** (available at an additional charge)</i>	
<input type="checkbox"/> BIRCH-BARK	Birch Bark
<input type="checkbox"/> DUSK	Dusk
<input type="checkbox"/> MOONDUST	Moondust
<input type="checkbox"/> OAT	Oat

* Optional equipment may not comply with all ADA guidelines

** Non-cancellable, non-returnable

† This color contains large, randomly distributed chips.

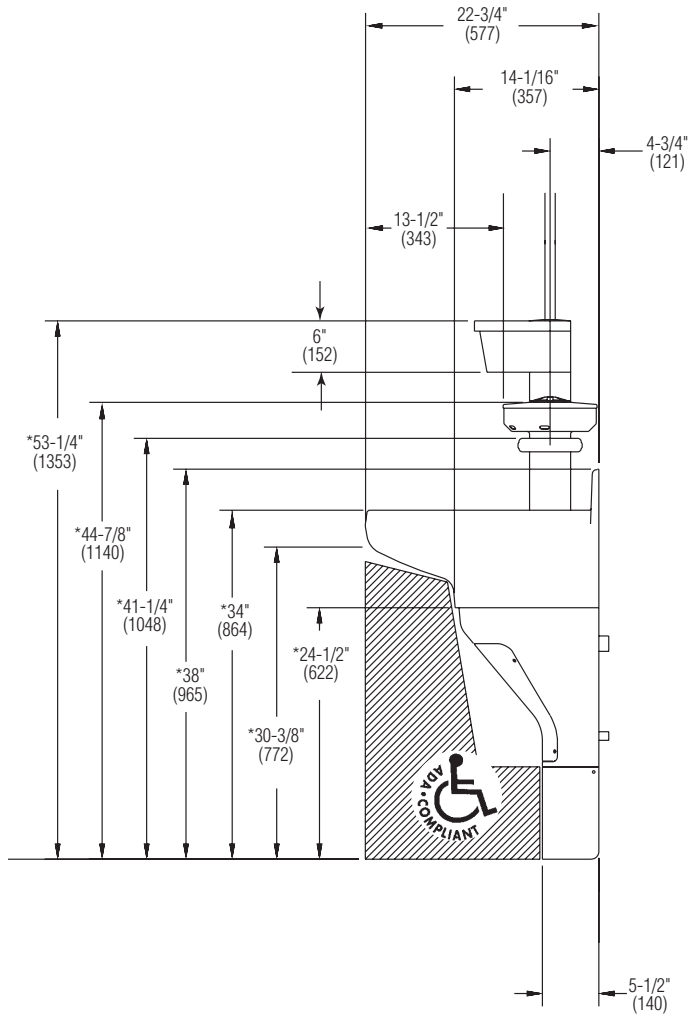
‡ TTPA and TTPB valves require a low-voltage UL/CSA listed 120VAC/12VDC plug-in adapter.



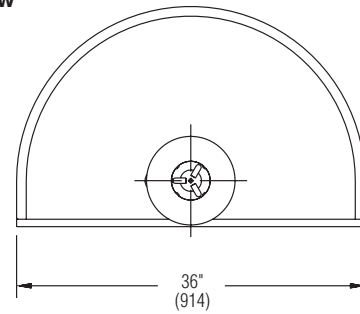
Dimensions

(mm)

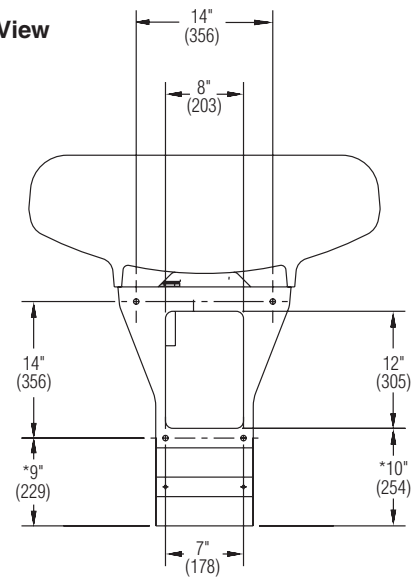
Side View



Top View



Back View



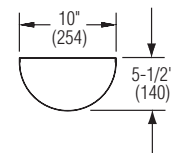
Model TDB3103 ADA Compliant

Optional equipment may not comply with all ADA dimensional guidelines

Rim Height	Application	Adjustment
34"	Adult Height ADA, TAS Adult Height	None, as shown
*32"	TAS Ages 11 through 14 or 15, Grades 6 through 8 or 9	*Subtract 2"
*30"	TAS Ages 4 through 10 or 11, Grades K through 5 or 6 and Proposed Juvenile Height ADA	*Subtract 4"

* Adjustments to vertical dimensions for various rim heights.

Bottom View



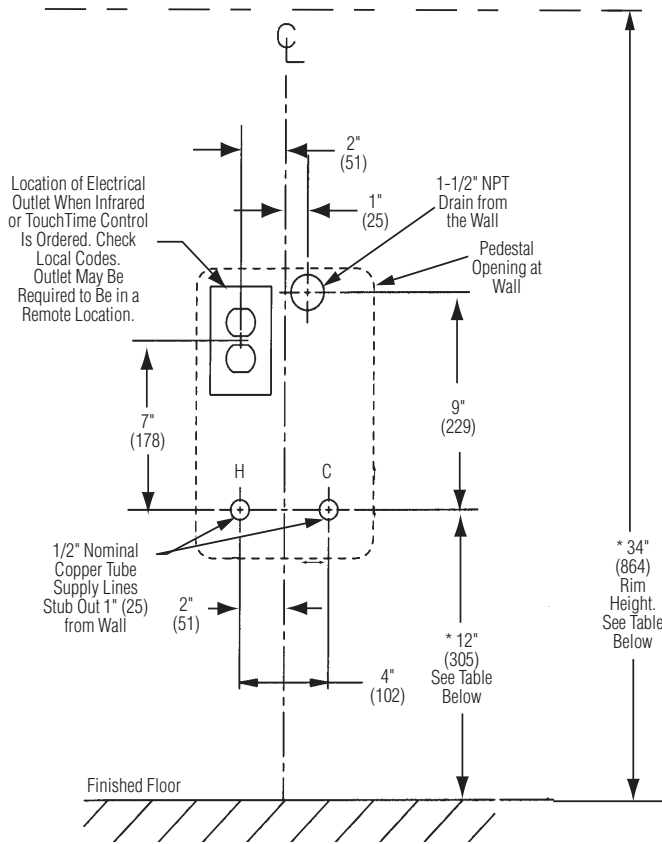


Terreon® 36" Semi-Circular, 7-1/2" Deep Bowl Washfountain

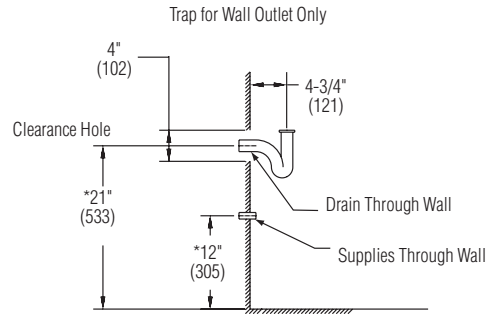
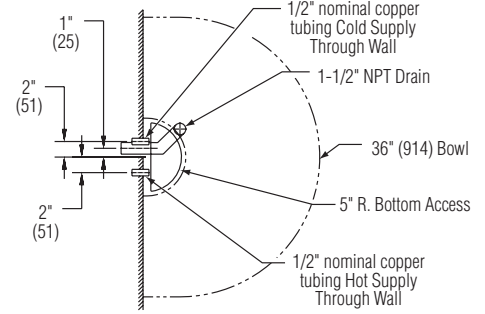
TDB3103

(mm)

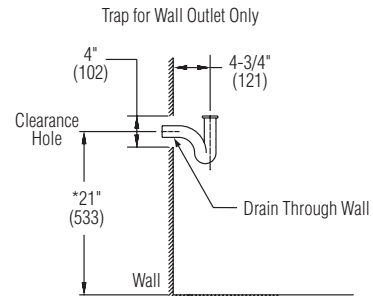
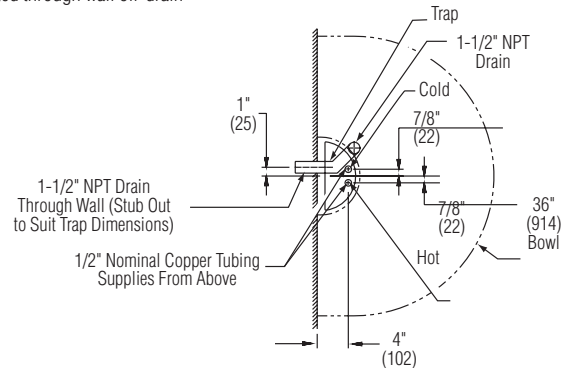
Rough-Ins



Type A Drain
 - Supplies through wall
 - Vented through wall off-drain



Type O Drain
 - Supplies from above
 - Vented through wall off-drain



Rim Height	Application	Adjustment
34"	Adult Height ADA, TAS Adult Height	None, as shown
*32"	TAS Ages 11 through 14 or 15, Grades 6 through 8 or 9	*Subtract 2"
*30"	TAS Ages 4 through 10 or 11, Grades K through 5 or 6 and Proposed Juvenile Height ADA	*Subtract 4"

* Adjustments to vertical dimensions for various rim heights.

Rough-In Notes

1. Drain P-Trap and Supplies by others.