



Terreon® 54" Semi-Circular, Deep Bowl Washfountain

- cUPC Certified
- ADA Compliant
- Suitable for Heavy-Duty Hand Washing
- Reliable Air, TouchTime® or Infrared Activations
- Vandal Resistant - Easy to Clean
- Three Different Heights (Including Juvenile and Intermediate Heights)
- Available in a 54" Bowl Size

Specifications

Size and Capacity

Accommodates up to four users at a time, using less water, energy and space than two lavs equipped with conventional faucets. The classic sprayhead (non-sectional) is controlled by an infrared sensor, electronic pushbutton or piezo switch or air activated pushbutton. The operating range is 20-80 PSI.

Construction

Bowl Materials

Constructed of Terreon®, a densified solid surface material composed of bio-based resin, or Terreon®RE, a densified solid surface material composed of a bio-based resin and preconsumer recycled granules. Terreon and TerreonRE are resistant to chemicals, stains, burns and impact. Surface damage can be easily repaired with everyday cleansers or fine grit abrasives. Terreon and TerreonRE are Home Innovation Lab certified to meet CSA B45.5/IAPMO Z124. Terreon and TerreonRE are GREENGUARD® certified as low-emitting materials.

Pedestal

Tapered pedestal is fabricated from a reinforced, gel-coated fiberglass. The pedestal incorporates a large access panel, for ease of installation and maintenance, and a 6" stainless steel kick plate to prevent damage.

Vandal Resistance

The infrared sensors and lenses, push buttons or switches are secured to the unit from inside a heavy-gauge stainless steel module to prevent tampering. If a vandal attempts to trigger constant operation by covering the sensor or placing a stationary object in the sensor's detection area, the adaptive infrared sensor will automatically shut off the water flow after 30 seconds. All valves, water supplies and waste connections are concealed inside the pedestal. The Terreon and TerreonRE bowls are resistant to stains, burns and impact; surface damage is easily repaired and repair work is virtually undetectable.

Standard Equipment

Valves and Fittings

In addition to the bowl and pedestal, the following valves and fittings are standard: sprayhead with stainless steel support tube and bowl gasket; spud with strainer; sprayhead supply tubing; Navigator® thermostatic mixing valve; flexible stainless steel supply hoses; stops; and adjustable volume control valve.

Activation Types

Infrared

Hands placed within the bowl are detected by an infrared sensor module which activates a flow of tempered water from the classic non-sectional sprayhead. Shut-off is automatic after hands are removed from the detection area. The infrared sensor uses a conical-shaped transmitting beam, having a detection area adapted to, but not exceeding, the bowl perimeter. The infrared sensor automatically adapts to the bowl after power is turned on. The infrared sensor is not affected by varying color tones or darkness. Direct sunlight or bright washroom lights will not activate the system. Infrared models also include solenoid valves and a 12V plug-in adapter as standard equipment:

- Solenoid – 12VDC, 1/2" supply inlet. Few moving parts, and resistant to most chemicals, minerals, and impurities often present in municipal water supplies.
- Low-Voltage Adapter – A UL/CSA listed 120VAC/12VDC plug-in adapter plugs into a standard GFCI protected electrical outlet. Location of transformer per local electrical code.



TDB3104

Air

Each push button pneumatically actuates a non-hold-open, air metering, single-temperature valve with field adjustable timing from 0–45 seconds. Factory preset at 12 seconds. Each push button activates a flow of tempered water from the classic non-sectional sprayhead. Push button requires less than five pounds of pressure.

TouchTime®

Each low-voltage mechanical pushbutton or piezo switch actuates a non-hold-open, slow-closing anti-hammer solenoid valve that is timed from an electronic potted assembly. Each push button activates a flow of tempered water from the classic non-sectional sprayhead. TouchTime controls water flow through the use of solid state, digital circuitry. Timing is factory set at 12 second run time but is field adjustable to pre-set timeout periods and optional auto-flush function. The 24 hour flush function will activate water flow for a period of 60 seconds any time there has been no activation within the past 24 hours. Push button and piezo switch requires less than five pounds of pressure.

Code Compliance and Certifications

ANSI Standards

Terreon and TerreonRE are certified by Home Innovation Lab to meet CSA B45.5/IAPMO Z124.

cUPC Certified

The Terreon and TerreonRE Deep Bowl Washfountains are Uniform Plumbing Code (cUPC), International Plumbing Code (IPC) and National Plumbing Code of Canada certified through the International Association of Plumbing and Mechanical Officials (IAPMO). Manufactured in compliance with IGC 156-2012, CSA B45 Series-2002 (R2013) & ASME A112.18.1-2012/CSA B125.1-12.

ADA Compliant

The standard height 54" Terreon and TerreonRE Deep Bowl washfountains, equipped with infrared control, comply with all ADA and TAS guidelines on reaches, clearances and operations.

Optional equipment may not comply with all ADA dimensional guidelines.

Juvenile Height

The TDB3104 with juvenile height and infrared options selected meets the ADA guidelines for Juvenile height. It also meets the Texas accessibility standard for Juvenile Lavatories in 30" rim height. The product complies with accessibility codes when installed in accordance with manufactures instructions.



Standard product selections contained within this document are third party **CERTIFIED** to NSF/ANSI 372 meeting the Lead-Free content requirement. Any product configured with custom options will be **COMPLIANT** with NSF/ANSI 372 meeting the Lead-Free content requirement.



© 2018 Bradley

P.O. Box 309, Menomonee Falls, WI 53052-0309
800 BRADLEY (800 272 3539) +1 262 251 6000
bradleycorp.com



Terreon® 54" Semi-Circular, Deep Bowl Washfountain

Standard Selections (Must select one from each category)

Drain Type (select one)

O Off-line vent with supplies from above

B Centrally rising vent with supplies from above

A Off-line vent with supplies from below

H Centrally rising vent with supplies from below

Mounting Height Type (select one)

STD Standard Height 34" Rim

JUV Juvenile Height 30" Rim

TAS Intermediate Height 32" Rim

Sprayhead Type (select one)

CLC Classic Sprayhead (entire sprayhead activates)

Activation Type (select one)

IRP Infrared **TTPA** TouchTime Pushbutton §

AST4 Air Pushbutton **TTPB** TouchTime Piezo Switch §

Water Supply Type (select one)

TL Tempered Line

TMA Thermostatic Mixing Valve

Soap Dispenser Type (select one)

LSD Liquid Soap Dispenser* **MPSD** Metal-Clad Powdered Soap Dispenser*

PSD Powdered Soap Dispenser* **NSD** No Soap Dispenser

MLSD Metal-Clad Liquid Soap Dispenser* **SA** Cube Adapter for Individual Soap Dispensers (dispensers sold separately)‡

Color of Terreon Bowl (select one)

Standard Colors

<input type="checkbox"/> ALP-WHT Alpine White	<input type="checkbox"/> LONDON London Gray
<input type="checkbox"/> AVALANCHE Avalanche †	<input type="checkbox"/> MOONSTONE Moonstone †
<input type="checkbox"/> BONE Mesa Bone	<input type="checkbox"/> O-TAUPE Organic Taupe
<input type="checkbox"/> CHAR Charcoal Gray	<input type="checkbox"/> PEBBLE Pebble Beach
<input type="checkbox"/> COBBLE Cobblestone	<input type="checkbox"/> PEP-WHT Peppered White
<input type="checkbox"/> DRIFT Driftwood †	<input type="checkbox"/> POLAR Polar Ice †
<input type="checkbox"/> DS-WHT Designer White	<input type="checkbox"/> SAND Sandtrap
<input type="checkbox"/> DUNE Sand Dune †	<input type="checkbox"/> S-CREEK Stone Creek
<input type="checkbox"/> E-GRAY Empire Gray	<input type="checkbox"/> S-MIST Silver Mist
<input type="checkbox"/> GLACIER Glacier	<input type="checkbox"/> WHT-SAND White Sand
<input type="checkbox"/> GRAPH Graphite	
<input type="checkbox"/> LANNON Lannonstone	

*Designer Colors** (available at an additional charge)*

ARC-CHIP Arctic Chip **RIVER** Riverstone

COFFEE Coffee Bean

*TerreonRE Colors** (available at an additional charge)*

BIRCH-BARK Birch Bark **MOONDUST** Moondust

DUSK Dusk **OAT** Oat

Optional Selections

Shroud Type

SH Stainless Steel Shroud (Conceals overhead plumbing)**

NONE No Shroud

Support Tube Reinforcement Type

TA 1-1/2" Tie Pipe Assembly (not required when SH is selected)**

NONE No Tie Pipe Assembly

Towel Dispenser Type

CFTD (2) C-Fold, Multi-Fold Dispenser*

SFTD (2) Single Fold Dispensers*

NONE No Towel Dispenser

* Optional equipment may not comply with all ADA guidelines

** Non-cancellable, non-returnable.

† This color contains large, randomly distributed chips.

‡ Towel Dispenser with SA soap option is non-cancelable, non-returnable.

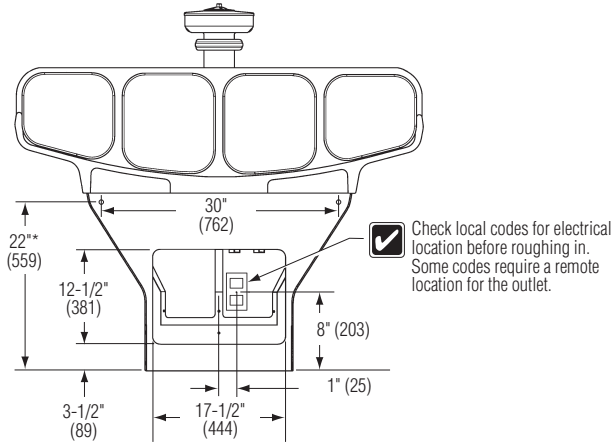
§ TTPA and TTPB valves require a low-voltage UL/CSA listed 120VAC plug-in adapter.



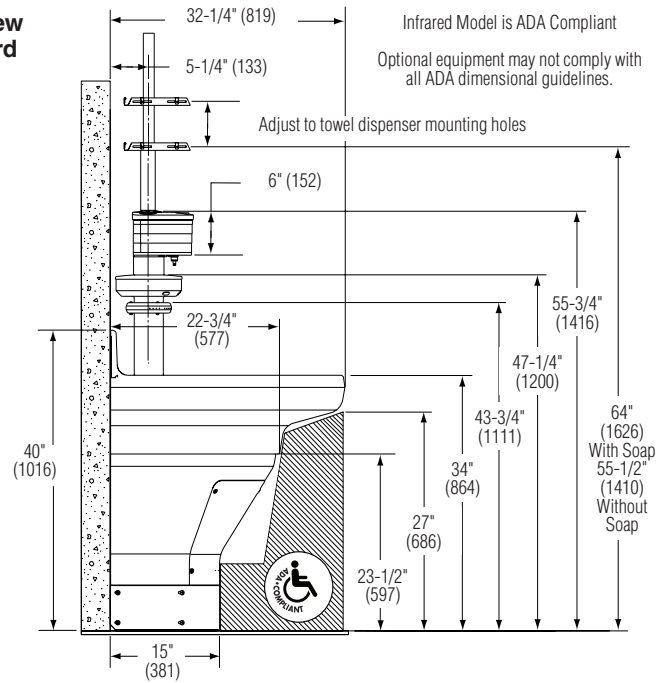
Dimensions - Standard and Juvenile Height

(mm)

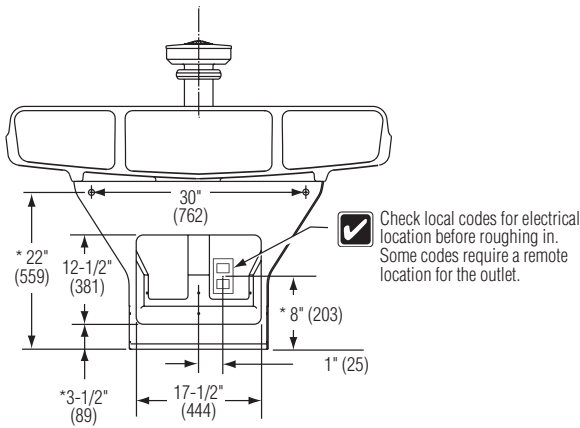
Rear View Standard Height



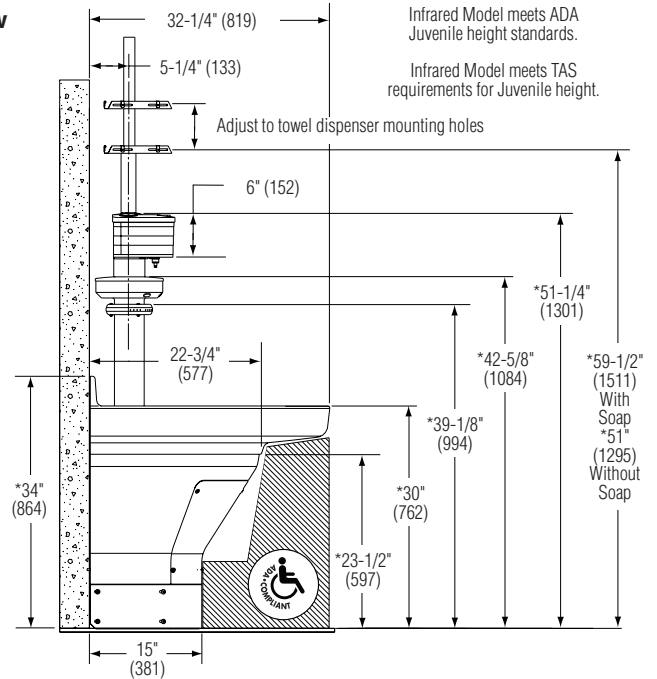
Side View Standard Height



Rear View Juvenile Height



Side View Juvenile Height



* Add 2" (51) for TAS height unit

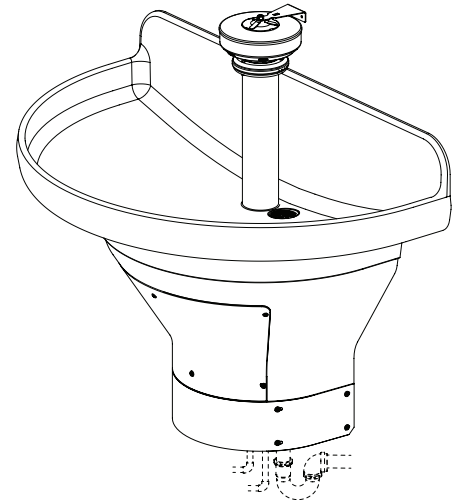
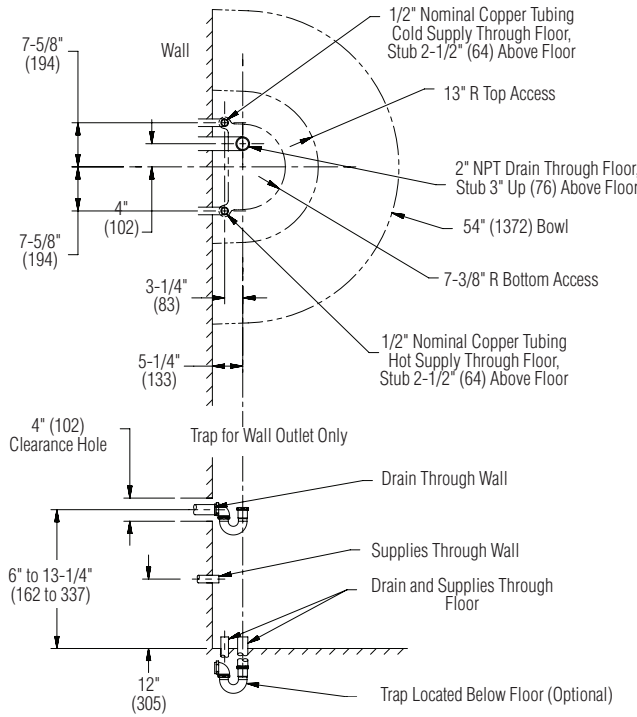


(mm)

Rough-Ins

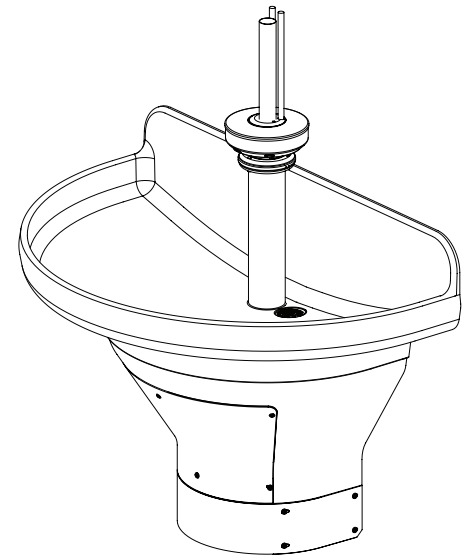
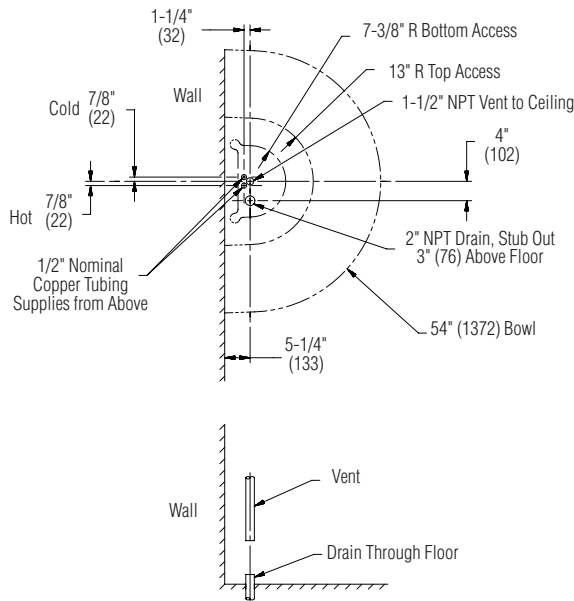
Type A Drain

- Supplies from below or through wall
- Vented from below or through wall off-drain



Type B Drain

- Supplies from above
- Vented through ceiling off trap inside pedestal



Rough-In Notes

1. All pipes and fittings not furnished by Bradley are shown in broken lines.



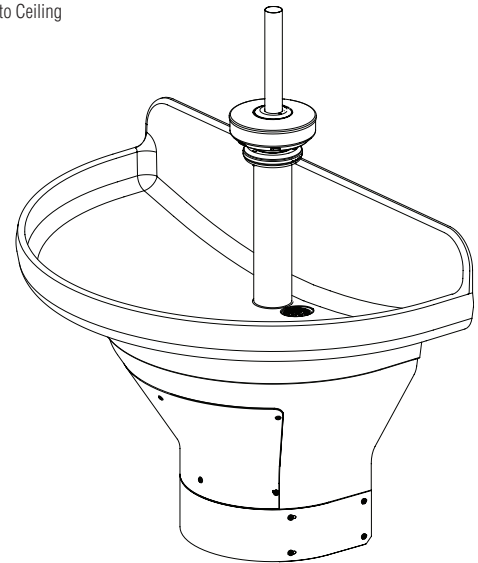
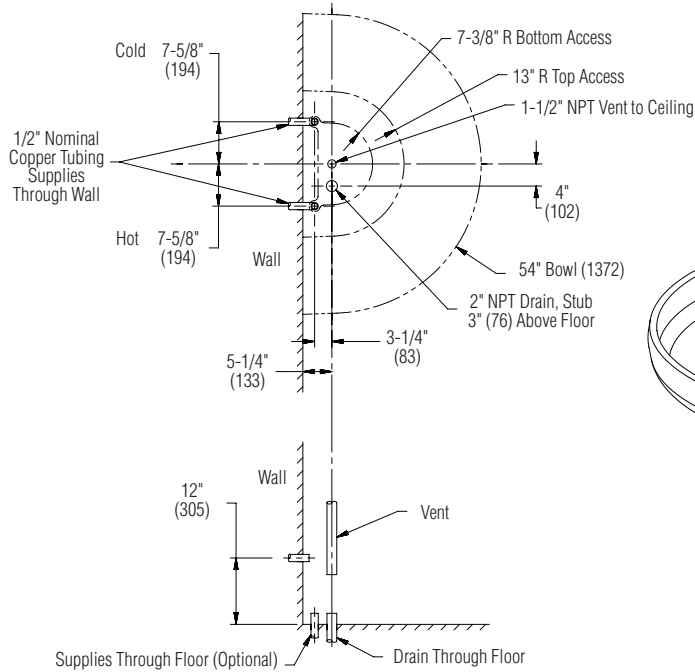
Terreon® 54" Semi-Circular, Deep Bowl Washfountain

(mm)

Rough-Ins

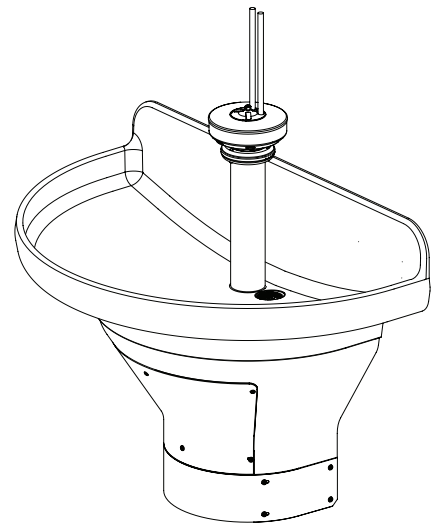
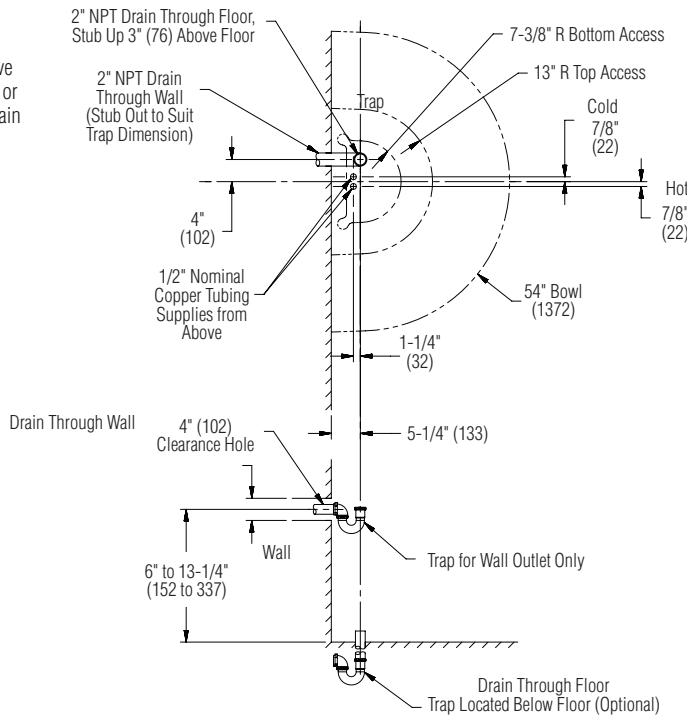
Type H Drain

- Supplies from below or through wall
- Vented through ceiling off trap inside pedestal



Type O Drain

- Supplies from above
- Vented from below or through wall off-drain



Rough-In Notes

1. All pipes and fittings not furnished by Bradley are shown in broken lines.