



Multi-Station Sinks Wall Sinks

- Heavy-Duty, Highly Vandal Resistant
- Saves Water, Energy and Space
- Ideal for Facilities Housing Major Events
- Arranged for Faucets by Others

Descriptions

Wall Sinks – Faucets by Others

Wall sinks are arranged for faucets by others with 4" centers.

- S96-051 (Model 6951A-5):** 5-station wall sink
- S96-080 (Model 6951A-4):** 4-station wall sink
- S96-083 (Model 6951A-3):** 3-station wall sink
- S96-085 (Model 6951A-2):** 2-station wall sink

cUPC Certified

The multi-station sinks, models 6950 and 6951 are Uniform Plumbing Code (cUPC) certified through the International Association of Plumbing and Mechanical Officials (IAPMO).

Specifications

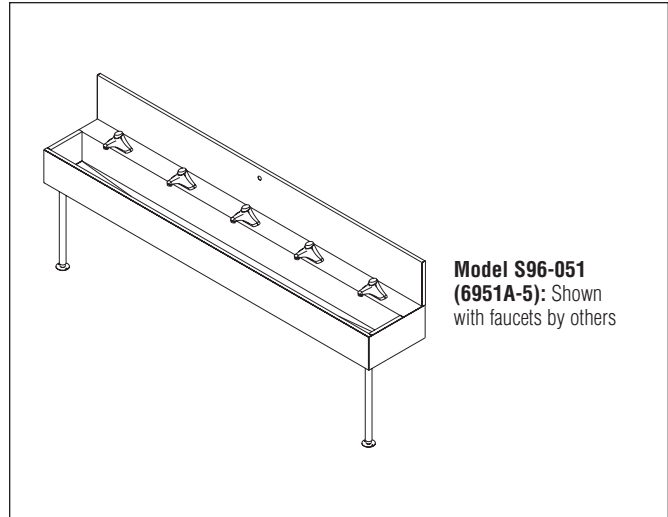
Size and Capacity: Accommodates from 2–8 users at a time (depending upon model chosen), using less water, energy, and space than lavs equipped with conventional faucets.

Construction: Fabricated entirely from 14 gauge type 304 stainless steel. All exterior surfaces are polished to a #4 finish. Sink legs are welded 1-1/2" O.D. stainless steel tubing, with 1-1/2" maximum adjustable-height floor flange.

Vandal Resistance: Sinks are reinforced with stainless steel channels welded to the underside.

Standard Equipment

Multi-Station Sink Assembly: Fabricated from 14 gauge type 304 stainless steel. All exterior surfaces polished to a #4 finish. Sink legs are 1-1/2" O.D. welded stainless steel tubing with 1-1/2" maximum adjustable-height floor flange. Sinks are reinforced with stainless steel channels welded to the underside. Sink includes drain spud with dome grate strainer and 1-1/2" tubular tailpiece which drains into a 1-1/2" P-trap (provided by others).



Models (Must Select One)				
Model No.	Type	Mtg.	Stations	Faucets
<input type="checkbox"/> S96-051 (6951A-5)*	Wall Sink	Wall	5	By Others
<input type="checkbox"/> S96-080 (6951A-4)*	Wall Sink	Wall	4	By Others
<input type="checkbox"/> S96-083 (6951A-3)*	Wall Sink	Wall	3	By Others
<input type="checkbox"/> S96-085 (6951A-2)*	Wall Sink	Wall	2	By Others

*Non-cancelable, non-returnable

Standard product selections contained within this document are third party **CERTIFIED** to NSF/ANSI 372 meeting the Lead-Free content requirement. Any product configured with custom options will be **COMPLIANT** with NSF/ANSI 372 meeting the Lead-Free content requirement.



Certified to
NSF/ANSI 372

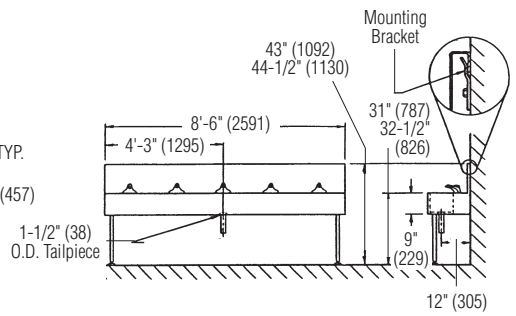
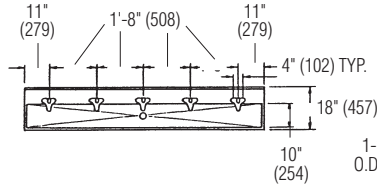
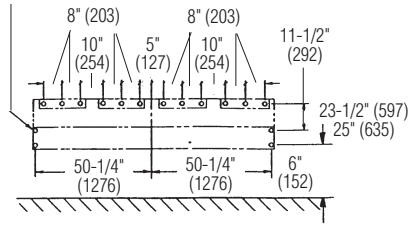


Multi-Station Sinks Wall Sinks

Wall Multi-Station Sink Rough-in Dimensions

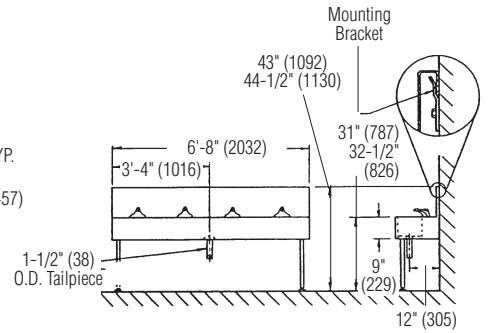
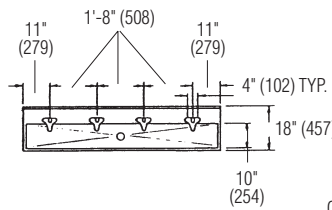
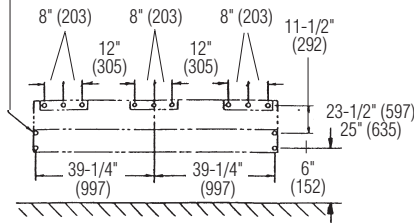
(mm)

Locations for Suitable Wall Anchors (by Others)



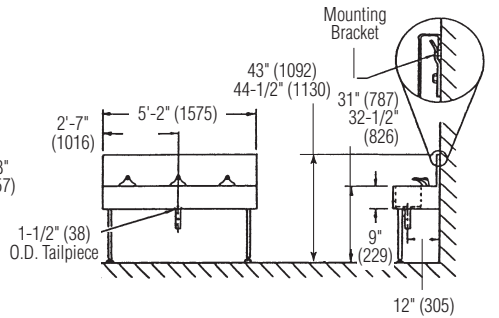
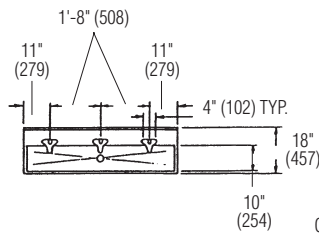
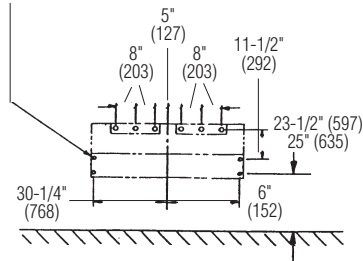
5-Station Wall Sink Model S96-051 (shown with faucets by others)

Locations for Suitable Wall Anchors (by Others)



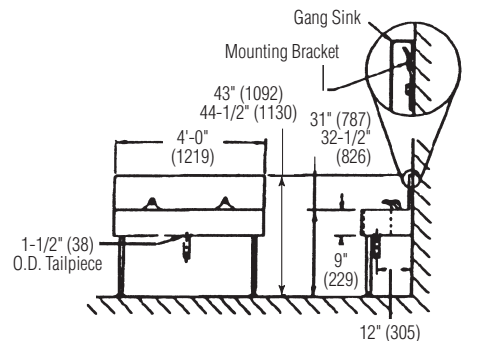
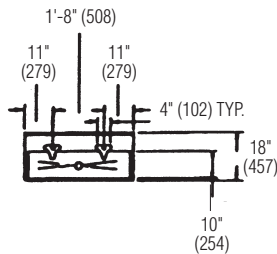
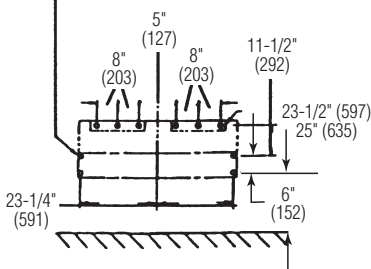
4-Station Wall Sink Model S96-080 (shown with faucets by others)

Locations for Suitable Wall Anchors (by Others)



3-Station Wall Sink Model S96-083 (shown with faucets by others)

Locations for Suitable Wall Anchors (by Others)



2-Station Wall Sink Model S96-085 (shown with faucets by others)