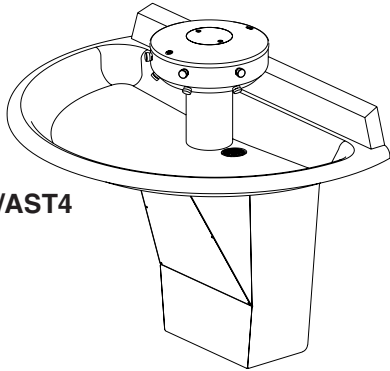


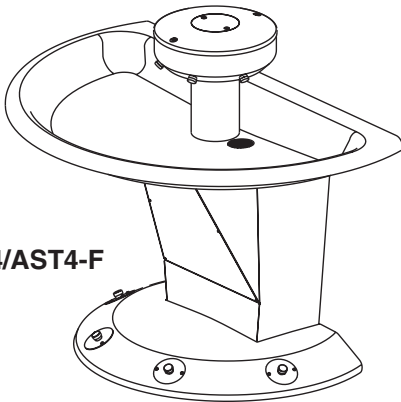
# Installation

## SN2004/AST4 SN2004/AST4-F SN2024/AST4

SN2004/AST4



SN2004/AST4-F



**Sentry 54-Inch Semi-Circular Washfountain with Air Valve Control**



**Lavabo fontaine semi-circulaire 54" (1372 mm) à commande pneumatique Sentry**

**Fuente de lavado semicircular Sentry de 54" (1372 mm) con control de válvula de aire**

### Table of Contents

Supplies Required . . . . .	3
Rough-In Information . . . . .	4
Installation Instructions . . . . .	5
Optional Equipment Installation . . . . .	7
Troubleshooting . . . . .	8
Cleaning Instructions . . . . .	10

### Sommaire

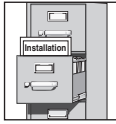
Fournitures requises . . . . .	12
Informations sur la mise en place des tuyauteries . . . . .	13
Instructions relatives à l'installation . . . . .	14
Installation de l'équipement optionnel . . . . .	16
Dépannage . . . . .	17
Instructions relatives au nettoyage . . . . .	19

### Tabla de contenidos

Materiales necesarios . . . . .	21
Información sobre tuberías empotradas . . . . .	22
Instrucciones de instalación . . . . .	23
Instalaciones de equipos opcionales . . . . .	25
Solución de problemas . . . . .	26
Instrucciones de limpieza . . . . .	28



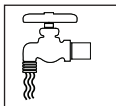
## IMPORTANT!



Read this entire installation manual to ensure proper installation. When finished with the installation, file this manual with the owner or maintenance department. Compliance and conformity to local codes and ordinances is the responsibility of the installer.



Separate parts from packaging and make sure all parts are accounted for before discarding packaging material. If any parts are missing, do not begin installation until you obtain the missing parts.



Make sure that all water supply lines have been flushed and then completely turned off before beginning installation. Debris in supply lines can cause valves to malfunction.



Product warranties may be found under "Products" on our web site at [bradleycorp.com](http://bradleycorp.com).

### Supplies required for installation:

- 3/8" diameter bolts and floor/wall anchors to anchor washfountain pedestal to floor and wall
- 1/2" nominal copper tubing for hot and cold water supply lines
- Standard P-trap (trap included with "B" or "H" drain type and some optional equipment)
- 1-1/2" drain lines and fittings
- Pipe sealant

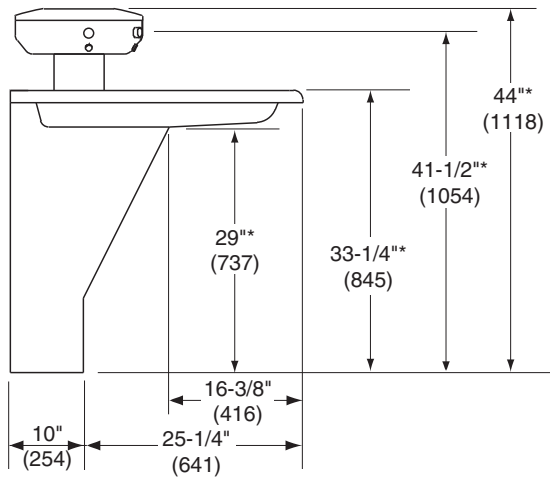
### Supplies recommended for installation:

- 1-1/2" vent or tie pipe on types vented through washfountain column
- Caulk (may be applied between backsplash and bowl to avoid debris accumulation)

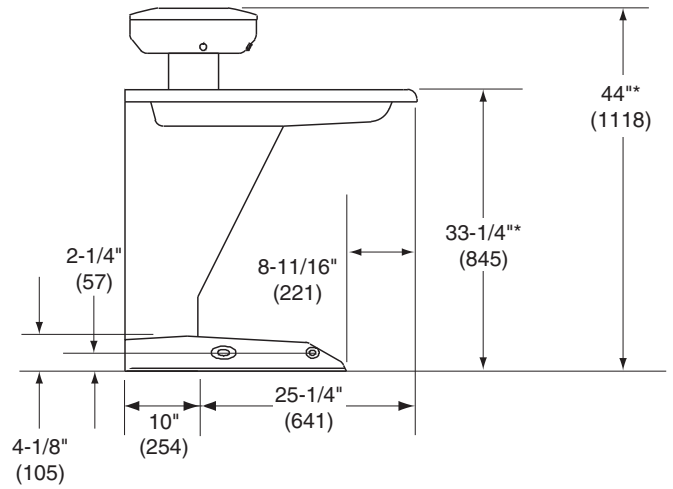
# Dimensions - Sentry™ Semi-Circular Washfountain

(mm)

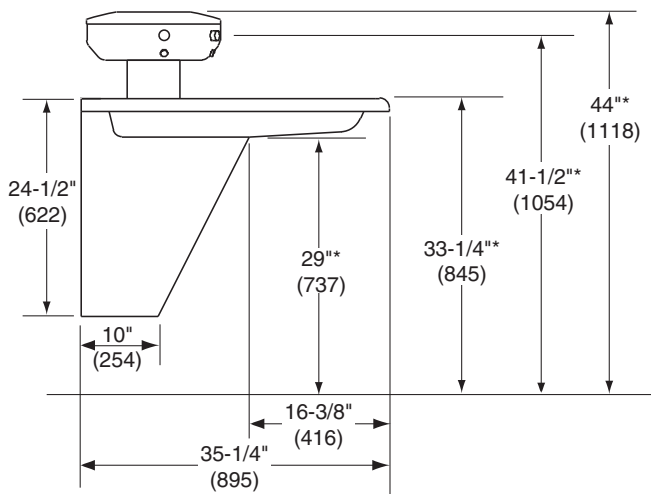
## Floor Unit



## Foot Control



## 54" Wall Mounted Hand Control



\* Subtract 4" (102) from this dimension for juvenile height model.



Standard and juvenile height models with hand control are ADA/TAS compliant.

# Rough-In Locations for Wall Anchor Bracing

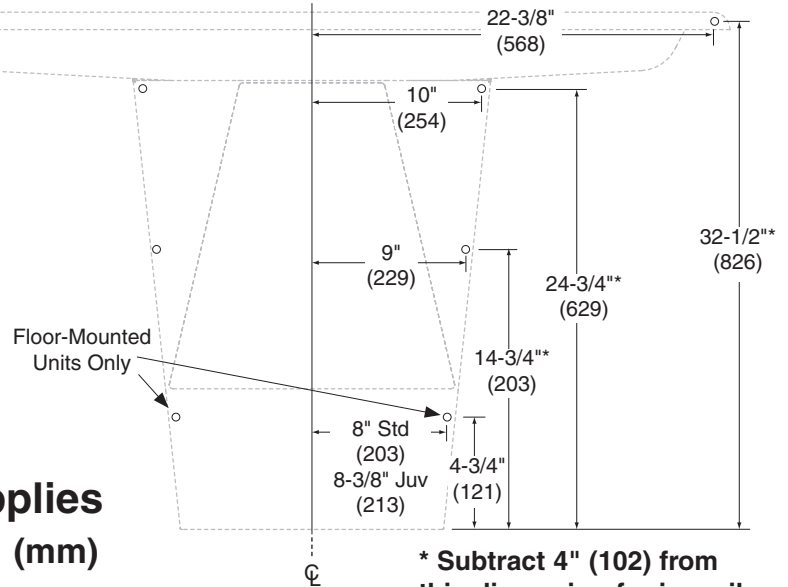
(mm)



Dimensions are to determine reinforcement locations. Use fixture as a template for precise location of 3/8" anchors.



Floor-mounted units: UPC and IPC restrict the vertical distance from the fixture outlet to the trap weir to not more than 24" (610). Check state and local codes for variances.



# Rough-In Dimensions for Supplies and Drain

(mm)

### Notes

Maximum flow rate required to washfountain is 1.5 GPM. Size supply lines accordingly.

Supplies from Below: Stub up 2-1/2" (64).

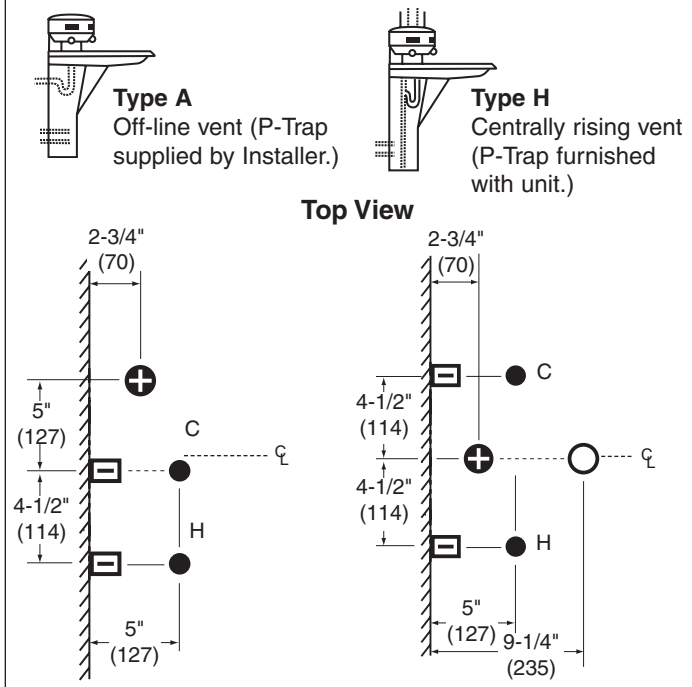
Supplies from Above: Supplies must be located on centers of dimensions shown to pass through washfountain shroud and sprayhead.

Drain through floor: Stub up 3" (76).

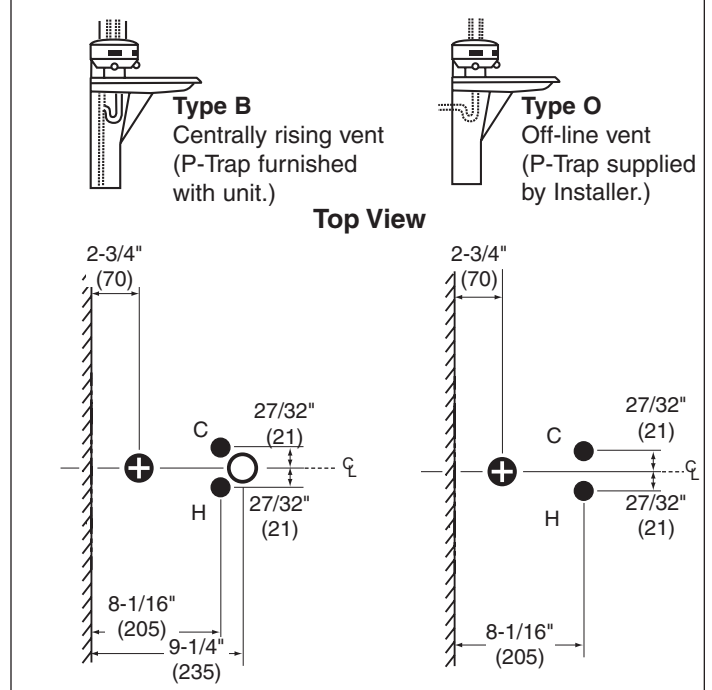
### Key

- 1/2" Supply: Nominal Copper Tube
- ⊞ 1/2" Supply Through Wall (Optional): Nominal Copper Tube
- ⊕ 1-1/2" NPT Drain
- 1-1/2" NPT Vent

### Supplies from Below or Through Wall



### Supplies from Above



When running supplies and drain through wall, use same horizontal measurements as shown in Top View. Position openings above the finished floor, at the following dimensions (to center):

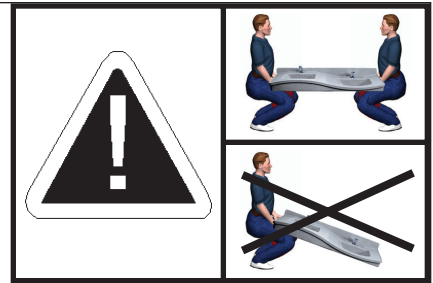
Drain: Standard Height: 19-1/4" (305)  
 Juvenile Height: 15-1/4" (387)

Supplies: Standard Height: 12" (305)  
 Juvenile Height: 8" (203)

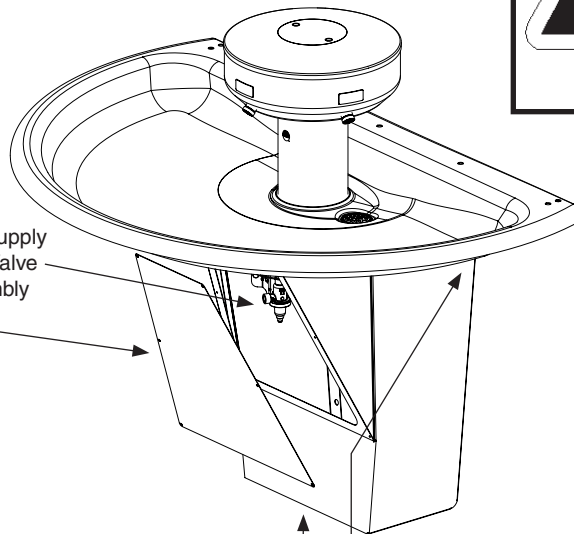
# 1 Install and Anchor Unit



Rough-in of plumbing lines and wall braces must be completed before unit can be properly installed.



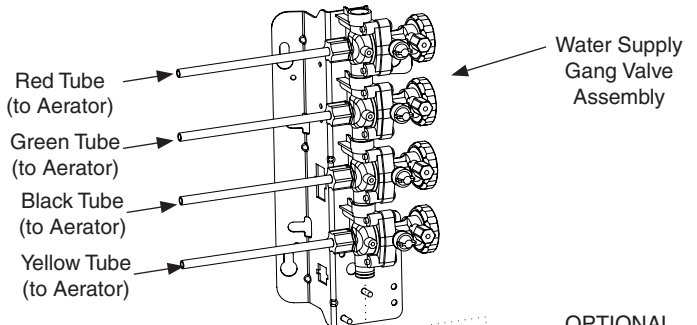
**A** Remove Access panel and with the help of another person, place unit in position against wall.



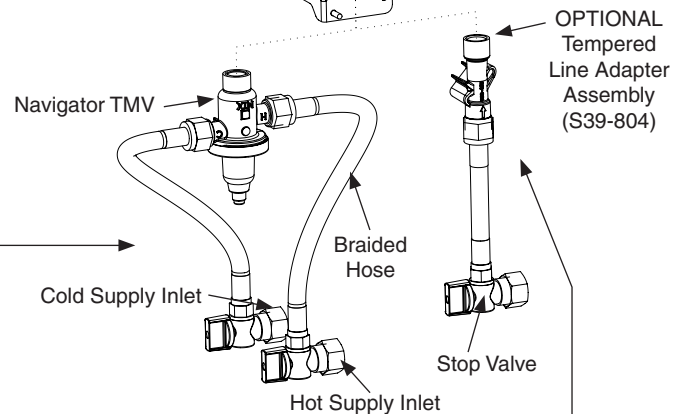
**B** Ensure unit is level, shimming floor unit if necessary. Mark the wall anchor locations.

**C** Install suitable wall anchors (supplied by installer) for 3/8" bolts at the marked locations. Secure unit to wall.

# 2 Connect Water Supply to Valve Assembly



**A** Connect stops to hot and cold water supply. Connect one end of each supply hose to a stop and the other end to the hot and cold inlets of the Navigator® TMV.



**B** OPTIONAL TEMPERED LINE CONNECTION: Connect one end of the supply hose to the stop and the other end to the tempered line adapter in the gang valve assembly.

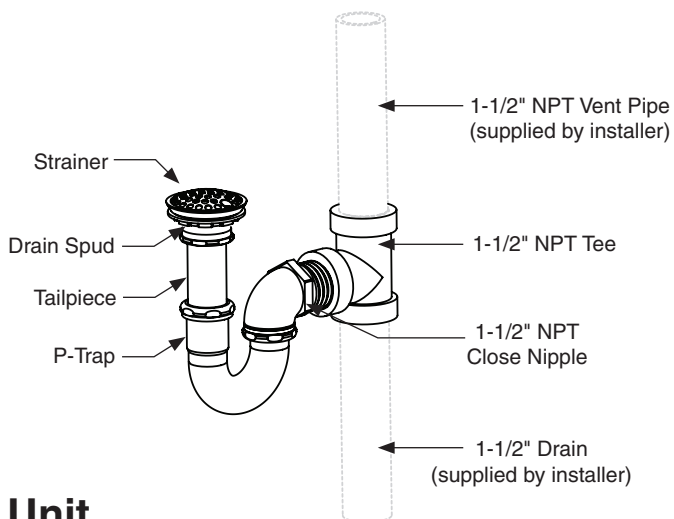


**STOP!!!** If installing optional Shroud/Slip Ring or Towel Dispensers, complete those installations before proceeding to Step 3 (see page 7).

### 3 Connect Drain

**Off-Line Vent (Type A or O):** Connect 1-1/2" P-Trap and drain piping (supplied by installer) to the drain spud.

**Centrally Rising Vent (Type B or H) or models with optional paper towel dispensers:** Connect the vented P-Trap (provided) and drain piping as shown:

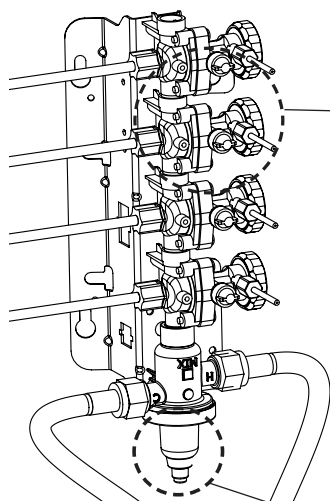


### 4 Turn on Water, Test and Adjust Unit

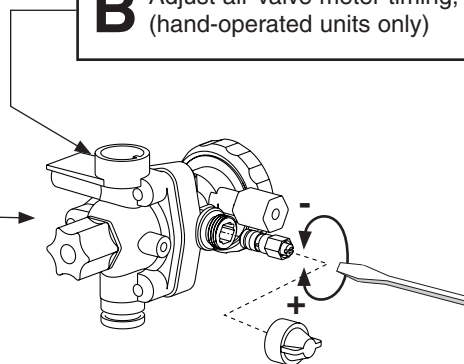


Check to make sure stop valves are open before turning on water.

**A** Turn on water supply and check for leaks. Activate each push/foot button to purge air from the lines.



**B** Adjust air-valve meter timing, if desired (hand-operated units only)



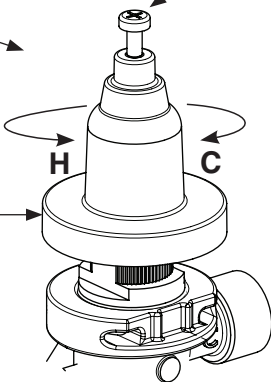
**Air Metering Timer**  
(Hand-operated push button only)

**C** Loosen the cap screw about 1/4" (4-6 turns) and lift up the cover (do not remove).



This valve is NOT factory preset. Upon installation, the temperature of this valve must be checked and adjusted to ensure delivery of a safe water temperature. Water in excess of 110°F (43°C) may cause scalding.

**D** Using the cover, turn the cartridge gently until desired water temperature is reached. Do not turn past stops as this may damage the unit. Push the cover down and tighten the screw.



## Optional Towel Dispensers and 4-Inch Shroud

**A** Attach Slip Ring to ceiling. Use (5) 1/4" screws (provided by installer), in a 6" diameter circle.

Vent Pipe (shown for illustrative purposes)

Mounting Bracket

**B** Attach Dispensers, using them as a guide for positioning mounting brackets.

Shroud

Soap Filler Cap

**C** Using supplied screws, secure base of shroud to the sprayhead cover.

**D** Connect base of vent pipe to drain as described in Step 3.

## Optional Dispenser Mounting Brackets for 1-1/2" Pipe

**A** Mount Brackets for a 1-1/2" pipe in a similar manner to above. Secure brackets in position using tie-bar supports as shown.

Pipe Cap

Mounting Bracket

Tie Bar

Spacer Sleeve

## Cleaning and maintenance instructions for stainless steel

**Material Description:** Stainless steel is extremely durable, and maintenance is simple and inexpensive. Proper care, particularly under corrosive conditions, is essential. Always start with the simplest solution and work your way toward the more complicated.

**Routine cleaning:** Daily or as often as needed use a solution of warm water and soap, detergent, or ammonia. Apply the cleaning solution per the manufacturer's instructions and always use a soft cloth or sponge to avoid damaging the finish.

**Stubborn Stains:** To remove stains from stainless steel use a stainless steel cleaner and polish such as Ball® stainless steel cleaner or a soft abrasive. Always follow the manufacturer's instructions and apply in the same direction as the polish lines.

**CAUTION! Never use ordinary steel wool or steel brushes on stainless steel. Always use stainless steel wool or stainless steel brushes.**

### Special Situations for Material

**Fingerprints and Smears:** To remove fingerprints or smears use a high quality stainless steel cleaner and polish in accordance with the manufacturer's instructions. Many of these products leave a protective coating that helps prevent future smears and fingerprints.

**Grease and Oil :** To remove grease and oil use a quality commercial detergent or caustic cleaner. Apply in accordance to the manufacturer's instructions and in the direction of the polish lines.

**Precautions:** Avoid prolonged contact with chlorides (bleaches, salts), bromides (sanitizing agents), thiocyanates (pesticides, photography chemicals, and some foods), and iodides on stainless steel equipment, especially if acid conditions exist.

**CAUTION! Do not permit salty solutions to evaporate and dry on stainless steel.**

The appearance of rust streaks on stainless steel leads to the belief that the stainless steel is rusting. Look for the actual source of the rust in some iron or steel particles which may be touching, but not actually a part of the stainless steel structure.

*NOTE: Strongly acidic or caustic cleaners may attack the steel, causing a reddish film to appear. The use of these cleaners should be avoided.*

**Brand Names:** Use of brand names is intended only to indicate a type of cleaner. This does not constitute an endorsement, nor does the omission of any brand name cleaner imply its inadequacy. Many products named are regional in distribution, and can be found in local supermarkets, department and hardware stores, or through your cleaning service. It is emphasized that all products should be used in strict accordance with package instructions.

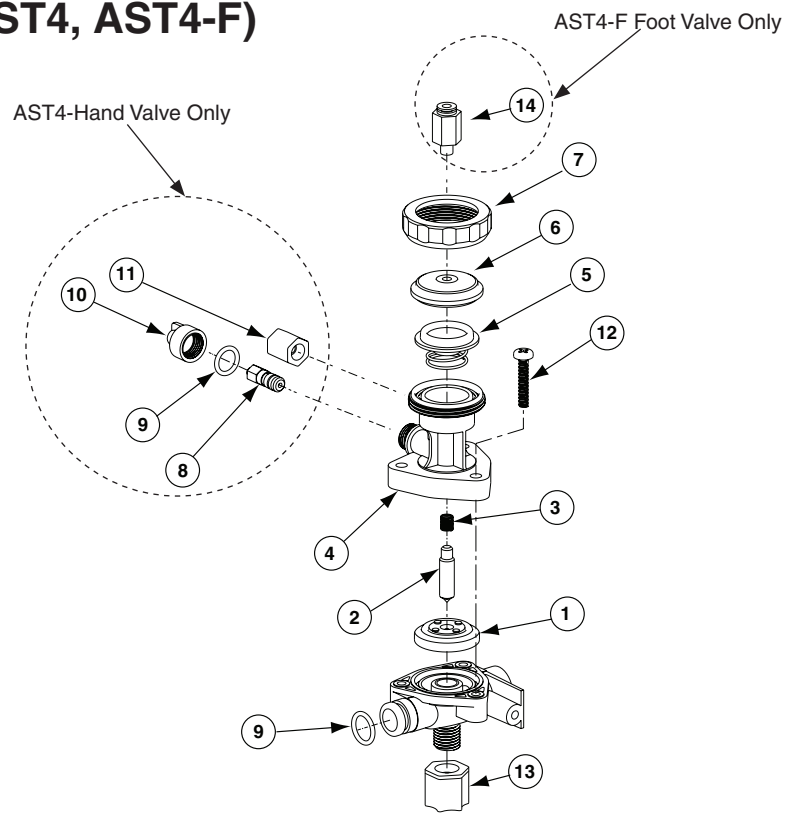


## Troubleshooting Air Valves (AST4, AST4-F)



Turn off water supplies to the unit before troubleshooting.

Item	Qty.	Description
1	1	Diaphragm
2	1	Armature
3	1	Spring
4	1	AST 4 Valve Upper Body
5	1	Magnet/Diaphragm Assembly
6	1	AST 4 Valve Cover
7	1	AST 4 Valve Clamp Nut
8	1	AST 4 Valve Timer Assembly
9	2	O-Ring
10	1	AST 4 Valve Timer Cover
11	1	Compression Nut, 1/8" Tube
12	3	Screw, #8 x 7/8"
13	1	Compression Nut, 1/4" Tube
14	1	Tube Connector 10-32 x 1/8"



AST4-Hand Valve, AST4-F Foot Valve

Problem	Cause	Solution
Valve will not shut off.	Timing mechanism is clogged.	Clean and inspect timing mechanism: <ol style="list-style-type: none"> <li>1. If compressed air is available, blow water and debris from timer cover of timing mechanism.</li> <li>2. Turn adjusting screw out all the way. Clean and inspect screw and valve body.</li> <li>3. Turn adjusting screw in to desired cycle time.</li> </ol>
One or more individual operating stations fail to turn on.	Water is not being supplied to unit.	Open all stops on mixing valve.
	Water pressure is over 80 PSI.	Install a pressure reducing valve.
	Failed diaphragm/magnet assembly.	Unscrew the valve clamp nut on valve. Remove valve cover. Gently press the diaphragm. The valve should activate. If not, replace the diaphragm/magnet assembly.
One or more individual operating stations turn off too quickly or run too long.	There is an air leak.	Check the valve assembly: <ol style="list-style-type: none"> <li>1. Check all tubing and fittings for proper assembly.</li> <li>2. Tighten cap and nut on 1/8" tubing.</li> </ol>
Pushbutton does not work properly.	Air volume may not be sufficient to operate valve.	Check for leaks and lubricate U-cup: <ol style="list-style-type: none"> <li>1. Check all fittings for air leaks.</li> <li>2. Disassemble pushbutton and lubricate U-cup seal (see pushbutton assembly diagram on next page).</li> </ol>
Water is dripping from the streamformers.	Debris has accumulated on valve seat or orifices.	Clean and inspect valve seat: <ol style="list-style-type: none"> <li>1. Remove screws and disassemble metering valve.</li> <li>2. Clean valve seat and inspect for deep gouges or scratches. Replace valve body if necessary.</li> <li>3. Remove any debris clogging off-center hole in rubber diaphragm.</li> </ol>

# Thermostatic Mixing Valve Troubleshooting

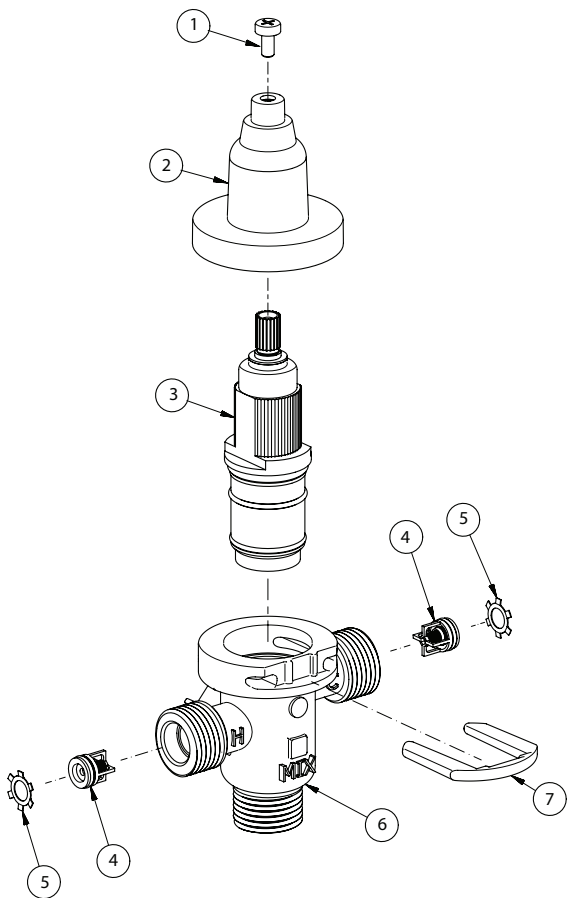
Before attempting to troubleshoot the valve or disassemble the components, check for the following conditions:

- If stop valves are used, make sure that they are fully open.
- Make sure that the hot and cold inlet pipes are connected properly, and that there are no cross-connections or leaking stop valves.
- Check the hot water heater output to make sure that it is at least 10° F above the set temperature.



Be sure to close the appropriate shut-off valves prior to disassembly of the valve and reopen the valves after inspection and repair is complete.

Problem	Cause	Solution
External leaks.	Damaged cartridge or O-rings.	Replace cartridge with part number 269-1927
Improper water temperature or temperature fluctuation.	Hot water supply is not 10° above desired set point.	Increase hot water supply temperature
	Valve temperature is not properly set.	Adjust the temperature as shown on page 6, step 4.
Limited water flow.	Dirt and debris have built up in the valve or strainer.	<ol style="list-style-type: none"> <li>1. Check to make sure both hot and cold supplies are connected to the Navigator mixing valve and that they have water flow.</li> <li>2. Remove cover and U-clip. Remove the cartridge and clean the strainer. It is not required to grease cartridge, however if desired, use silicone grease only. Do not use grease on check valves.</li> </ol>



## Parts List

Item	Part No.	Description	Quantity
			S59-4000
1	160-463	Cap Screw	1
2	107-582	Cover	1
3	269-1927	Thermostatic Cartridge	1
4	198-014	Check Valve*	2
5	132-051	Retaining Ring*	2
6	118-319	Valve Body	1
7	146-079	U-Clip	1

\* Included with Prepack S65-326

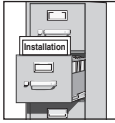
**Tempered Line Adapter Option**  
**Part no. S39-804**  
 (replaces S59-4000 if tempered line is used)

Strainer (173-028)

## Troubleshooting Hold-Open Foot Valves (AST4-F)

Problem	Cause	Solution
Individual operating station turns off while the foot button is depressed.	There is an air leak.	<ol style="list-style-type: none"> <li>1. Check all tubing and fittings for proper assembly.</li> <li>2. Tighten compression nut at 1/8" tubing connection.</li> <li>3. If air leak persists:                             <ol style="list-style-type: none"> <li>a. Remove the two screws securing the foot button escutcheon and check the 1/8" elbow connection behind the pushbutton assembly.</li> <li>b. Make sure the screw holding the elbow is tight and the fitting in the elbow is firmly hand tightened.</li> <li>c. Make sure the fitting is pushed firmly into the elbow.</li> </ol> </li> <li>4. If air leak persists:                             <ol style="list-style-type: none"> <li>a. Disconnect the tubing by pressing down on the plastic ring at the top of the fitting and pulling it out.</li> <li>b. Trim 1/2" off squarely with a razor-knife.</li> <li>c. Push tubing back into the connector until firmly seated.</li> </ol> </li> <li>5. If leak still persists:                             <ol style="list-style-type: none"> <li>a. Loosen the compression nut on the air valve inside the pedestal.</li> <li>b. Pull out the 1/8" tubing and trim 1/2" off squarely with a razor-knife.</li> <li>c. Push tubing back into the valve until firmly seated and hand-tighten the compression nut.</li> </ol> </li> </ol>
Individual foot control fails to activate.	Failed diaphragm/magnet assembly.	<ol style="list-style-type: none"> <li>1. Unscrew the valve clamp nut on the top of the foot valve.</li> <li>2. Remove valve cover. If the diaphragm/magnet assembly comes out with the cover, gently peel the diaphragm away from cover, taking care not to damage it. Inspect the diaphragm for any holes or tears. If damaged, replace it.</li> <li>3. Insert the diaphragm/magnet assembly back into the valve, but leave the cover off.</li> <li>4. Gently press the diaphragm fully. If the valve does not activate, the entire diaphragm/magnet assembly needs to be replaced.</li> </ol>

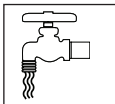
## IMPORTANT !



Lire ce manuel d'installation dans son intégralité pour garantir une installation appropriée. Une fois celle-ci terminée, classer ce manuel auprès du service à la clientèle ou d'entretien. L'installateur est responsable de respecter la conformité aux codes et ordonnances locaux.



Séparer les pièces de l'emballage et veiller à bien avoir toutes les pièces avant de jeter le matériau d'emballage. Le cas échéant, ne pas commencer l'installation avant d'avoir obtenu les pièces manquantes.



Veiller à bien vidanger et fermer toutes les conduites d'eau avant de commencer l'installation. Tout débris dans les conduites d'alimentation risque de provoquer un mauvais fonctionnement des soupapes.



Les garanties du produit se trouvent sous la rubrique « Products » (Produits) sur notre site Web à [bradleycorp.com](http://bradleycorp.com)

### Fournitures requises pour l'installation :

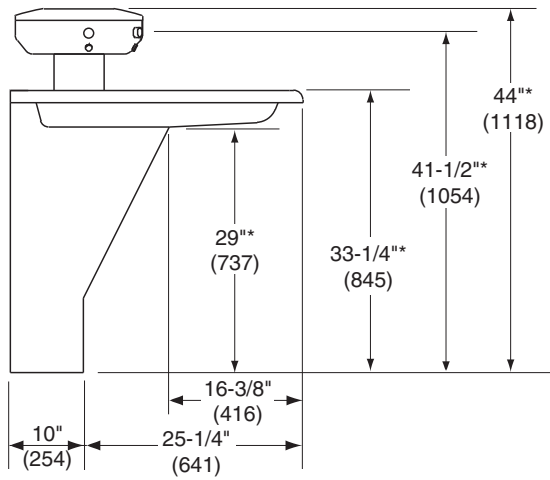
- Boulons de 3/8" de diamètre et dispositifs d'ancrage muraux/de sol pour ancrer le socle du lavabo fontaine au mur et au sol
- Tube de cuivre de 1/2" nominal pour la tuyauterie d'alimentation d'eau chaude/froide ou tempérée
- Siphon en P standard (siphon fourni avec type de drain « B » ou « H » et certains équipements optionnels)
- Conduites de drain de 1-1/2" et raccords
- Produit d'étanchéité pour tuyaux

### Fournitures requises pour l'installation :

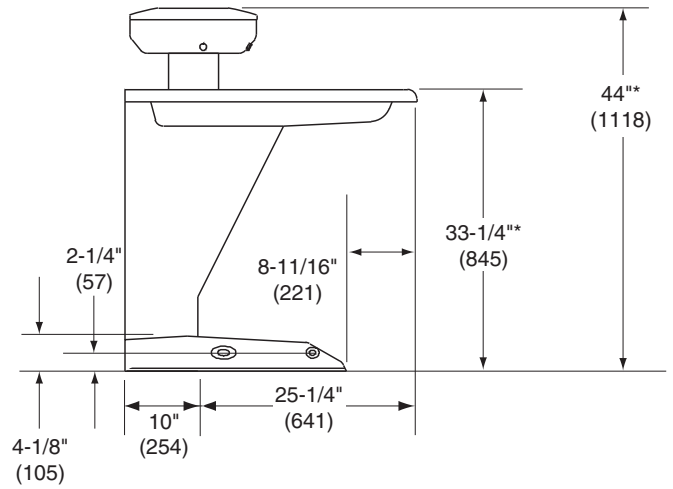
- Tuyau d'aération ou canalisation de liaison de 1-1/2" sur colonne de lavabo fontaine de type à aération
- Mastic (peut s'appliquer entre le dossier et le lavabo pour éviter toute accumulation de débris)

# Dimensions - Lavabo fontaine semi-circulaire Sentry™ (mm)

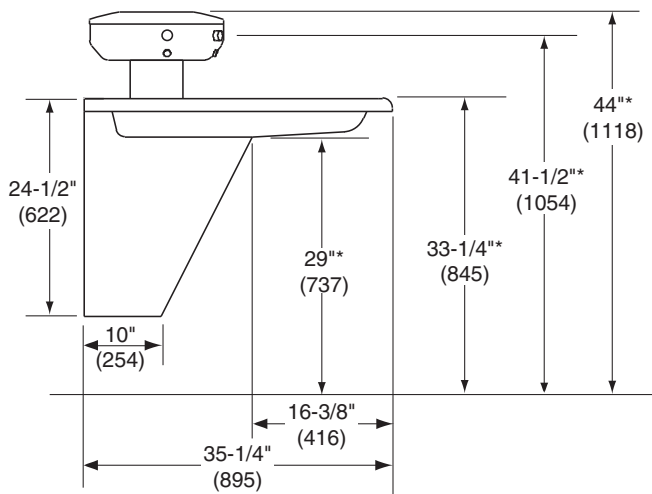
## Unité au sol



## Commande au pied



## Commande à main murale 54" (1372)



**\* Retrancher 102 mm (4") de cette dimension pour le modèle de hauteur enfant.**



Les modèles de hauteur standard et enfant avec manuelle sont conformes ADA/TAS.

## Emplacements des mises en place pour entretoisement de dispositifs d'ancrage muraux

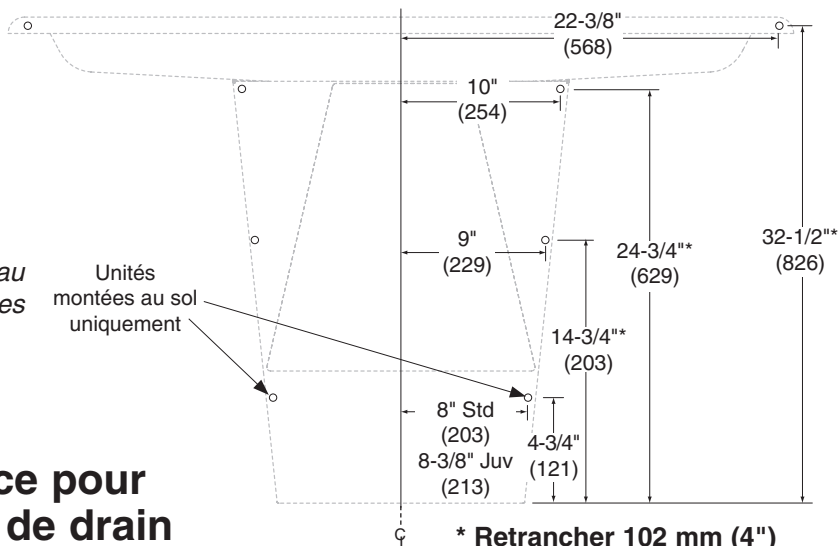
(mm)



Les dimensions doivent déterminer les emplacements de renforcement. Utiliser l'appareil comme gabarit pour l'emplacement précis des dispositifs d'ancrage de 3/8".



Unités montées au sol : CUP et IPC limitent la distance verticale de la sortie de l'appareil au sommet de la garde d'eau à un maximum de 24" (610). Consulter les codes d'État et locaux pour variances.



## Dimensions de mise en place pour conduites d'alimentation et de drain

### Notes

Le débit maximum requis vers le lavabo fontaine est de 1,5 GPM (5,7 LPM). Dimensionner les conduites d'alimentation en conséquence.

Alimentations du dessous : tubulure de 2-1/2" (64).

Alimentations du dessus : Les alimentations doivent être situées sur les centres des dimensions indiquées pour passer à travers l'enveloppe et le bec diffuseur du lavabo fontaine.

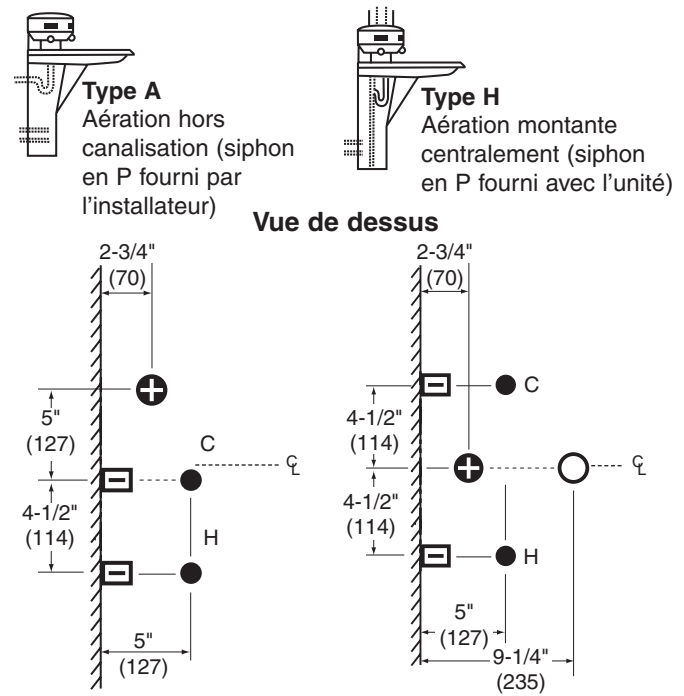
Drain dans le sol : tubulure de 3" (76).

### Légende

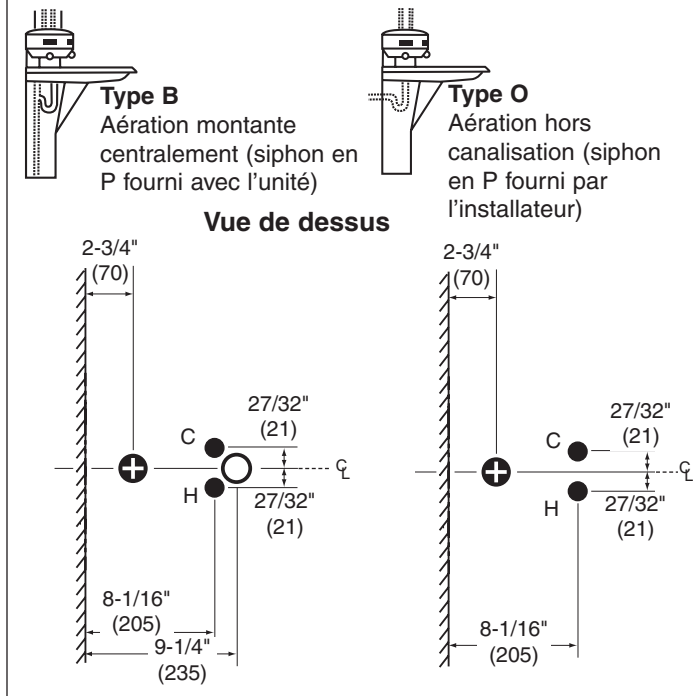
- Alimentation de 1/2" : Tube de cuivre nominal
- ▣ Alimentation de 1/2" à travers le mur (en option) : Tube de cuivre nominal
- ⊕ Drain 1-1/2" NPT
- Aération 1-1/2" NPT

\* Retrancher 102 mm (4") de cette dimension pour le modèle de hauteur enfant.

### Alimentations du dessous ou à travers le mur



### Alimentations du dessus



Lors de l'acheminement des alimentations et du drain à travers le mur, utilisez les mêmes mesures horizontales tel que l'indique la Vue du dessus. Positionner les ouvertures au-dessus du sol fini, aux dimensions suivantes (au centre) :

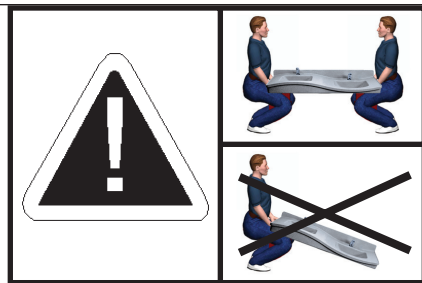
Drain : Hauteur standard : 19-1/4" (305)  
Hauteur enfant : 15-1/4" (387)

Alimentations : Hauteur standard : 12" (305)  
Hauteur enfant : 8" (203)

# 1 Installation de l'unité

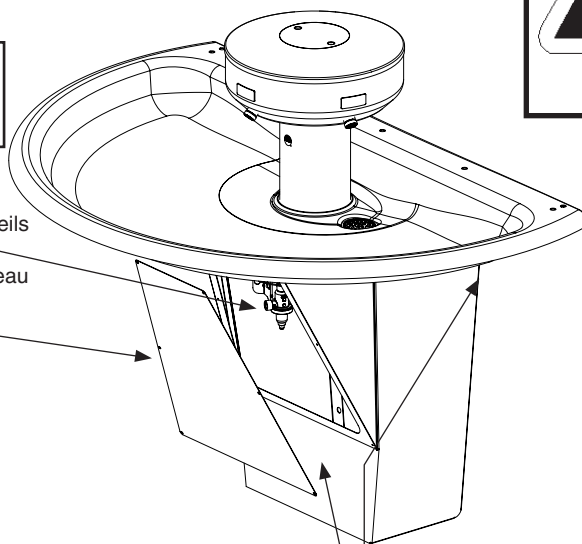


La mise en place des conduites de plomberie et des entretoises murales doit être terminée avant de pouvoir correctement installer l'unité.



**A** Retirer le panneau d'accès et, avec l'aide d'une autre personne, mettre l'unité en place contre le mur.

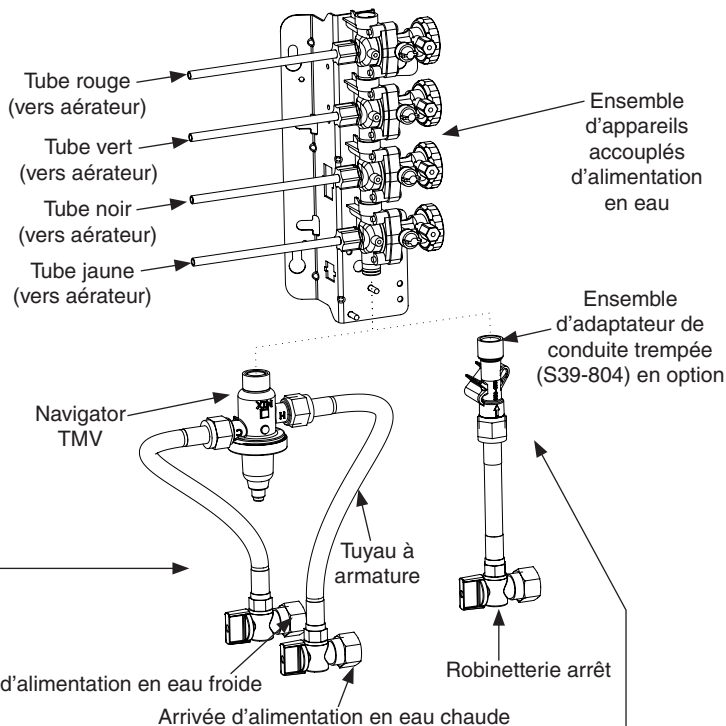
Ensemble d'appareils accouplés d'alimentation en eau



**B** Vérifier que l'unité est de niveau, en calant l'unité au sol le cas échéant. Marquer les emplacements des dispositifs d'ancrage muraux.

**C** Installer des dispositifs d'ancrage muraux (fournis par l'installateur) pour les boulons de 3/8" aux emplacements marqués. Fixer l'unité au mur.

# 2 Connecter l'alimentation en eau au robinet



**A** Raccorder les robinets d'arrêt aux arrivées d'eau chaude et froide. Raccorder un côté de chaque tuyau d'alimentation à un robinet d'arrêt et l'autre aux entrées chaude et froide du TMV Navigator.

**B** RACCORDEMENT À UNE CONDUITE TEMPÉRÉE EN OPTION : Raccorder un robinet d'arrêt à l'arrivée d'eau. Raccorder un côté du tuyau d'alimentation à un robinet d'arrêt et l'autre à l'adaptateur de conduite tempérée dans la vanne de distribution.



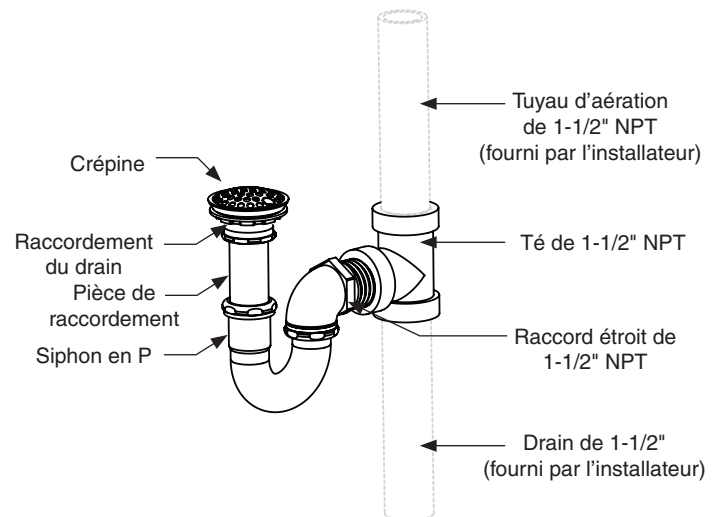
**STOP !!!** En cas d'installation de l'enveloppe/la bague collectrice ou des distributeurs d'essuie-mains en option, compléter ces installations avant de passer à l'étape 3 (voir page 17).

### 3 Connecter le drain

#### Aération hors canalisation (Type A ou O) :

Connecter la tubulure de siphon en P et de drain de 1-1/2" (fournie par l'installateur) à l'ergot de drain.

**Aération montante centralement (Type B ou H) ou modèles munis de distributeurs d'essuie-mains optionnels :** Connecter le siphon en P à aération (fourni) et la tubulure de drain comme indiqué :

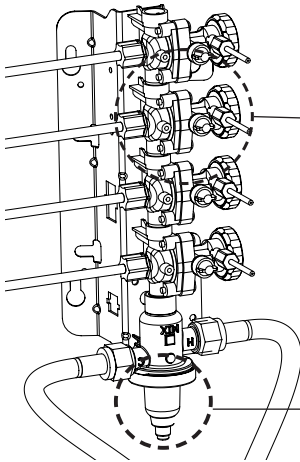


### 4 Mettre l'eau en marche ; tester et ajuster l'unité

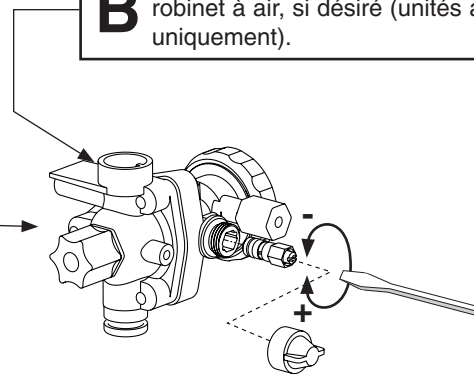


Vérifier que la robinetterie arrêt est ouverte avant d'ouvrir l'eau.

**A** Ouvrir l'alimentation en eau et vérifier la présence éventuelle de fuites. Activer chaque bouton-poussoir à pied pour purger l'air des conduites.

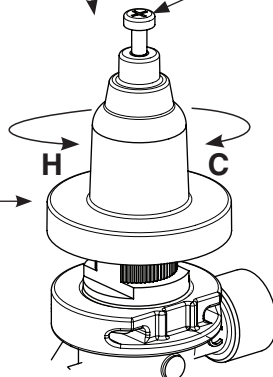


**B** Ajuster la minuterie de dosage de robinet à air, si désiré (unités à main uniquement).



**Minuterie de dosage d'air (bouton-poussoir à main uniquement)**

**D** À l'aide du capuchon, tourner lentement la cartouche jusqu'à obtenir la température d'eau souhaitée. Pour ne pas endommager l'appareil, ne pas tourner au-delà des butées. Renfoncer le capuchon et serrer la vis.



**C** Desserrer la vis à tête de 1/4" (6mm) environ (4 à 6 tours) et soulever le capuchon (ne pas l'enlever).



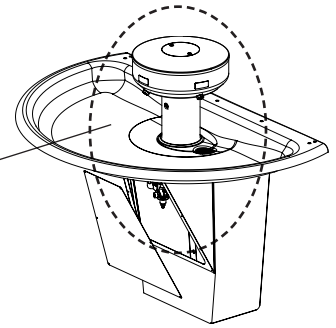
Cette vanne n'est PAS pré réglée à l'usine. Lors de l'installation, la température de cette vanne doit être contrôlée et ajustée pour s'assurer que l'eau est fournie à une température sans danger. Une eau à plus de 43 °C (110 °F) peut ébouillanter.



## Distributeurs d'essuie-mains et enveloppe de 4" en option

**A** Attacher la bague collectrice au plafond. Utiliser (5) vis 1/4" (fournies par l'installateur) dans un cercle de 6" (152) de diamètre.

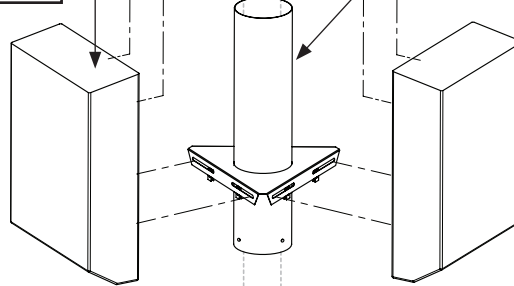
Tuyau d'aération (indiqué à des fins d'illustrations)



Support de fixation

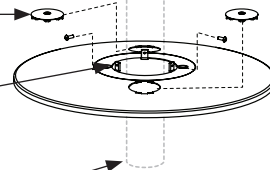
**B** Attacher les distributeurs en les utilisant comme guide pour positionner les supports de fixation.

Enveloppe



Capuchon de remplissage de savon

**C** À l'aide des vis fournies, sécuriser la base de l'enveloppe sur le couvercle du bec diffuseur.



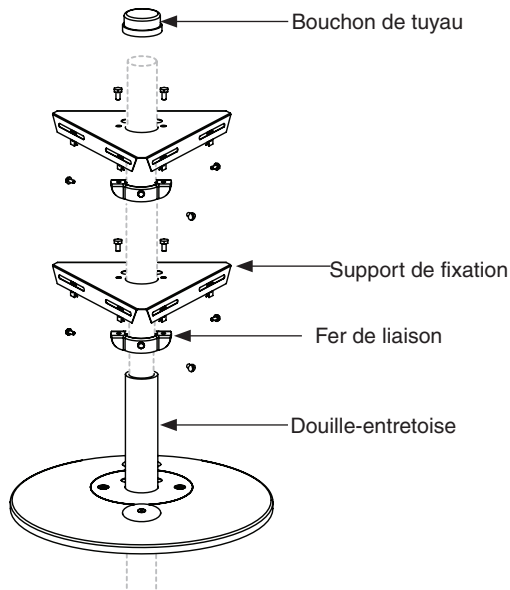
**D** Connecter la base du tuyau d'aération tel que décrit à l'étape 3.



## Supports de fixation de distributeurs en option pour conduite de 1-1/2"

**A** Fixer les supports pour un tuyau de 1-1/2" comme ci-dessus. Sécuriser les supports en position à l'aide des supports de fer de liaison comme il l'est indiqué.

Bouchon de tuyau



Support de fixation

Fer de liaison

Douille-entretoise

## Nettoyage de l'acier inoxydable

**Description du matériau :** L'acier inoxydable est extrêmement durable, et son entretien est simple et peu onéreux. Il est essentiel de l'entretenir correctement, particulièrement dans des conditions corrosives. Toujours commencer par la solution la plus simple et continuer par une solution plus compliquée.

**Nettoyage de routine :** Une fois par jour, ou aussi souvent qu'il le faut, utiliser une solution d'eau chaude avec du savon, du détergent ou de l'ammoniac. Appliquer la solution de nettoyage conformément aux instructions du fabricant ; toujours utiliser un chiffon doux ou une éponge afin de ne pas endommager le fini.

**Taches incrustées :** Pour éliminer des taches de l'acier inoxydable, utiliser un produit nettoyant pour acier inoxydable ou un produit à polir tel que le nettoyant pour acier inoxydable Ball® ou un abrasif doux. Toujours suivre les instructions du fabricant et appliquer dans le même sens que les lignes du vernis.

**ATTENTION! Ne jamais utiliser de paille de fer ou de brosse de métal ordinaire sur de l'acier inoxydable. Toujours utiliser de la paille d'acier inoxydable ou des brosses pour acier inoxydable.**

### Situations spéciales de matériau

**Empreintes et taches :** Pour éliminer les empreintes ou taches, utiliser un nettoyant pour acier inoxydable de haute qualité et polir conformément aux instructions du fabricant. De nombreux produits de ce genre laissent un film protecteur empêchant toute tache ou empreinte future.

**Graisse et huile :** Pour éliminer la graisse ou l'huile, utiliser un détergent ou un nettoyant caustique commercial de qualité. Appliquer conformément aux instructions du fabricant et dans le sens des lignes du vernis.

**Précautions :** Éviter tout contact prolongé avec : chlorures (agents de blanchiment, sels), bromures (agents d'assainissement), thiocyanates (pesticides, produits chimiques pour photographie et certains aliments) et iodures sur l'équipement en acier inoxydable, notamment en présence de conditions acides.

**ATTENTION! Ne pas laisser les solutions salées s'évaporer et sécher sur de l'acier inoxydable.**

L'aspect de traînées de rouille sur l'acier inoxydable donne à croire que l'acier inoxydable rouille. Rechercher la source réelle de la rouille dans ces particules de fer ou d'acier susceptibles d'être en contact avec la structure en acier inoxydable mais sans en faire réellement partie.

*AVIS: Des produits nettoyants fortement acides ou caustiques peuvent attaquer l'acier entraînant l'apparition d'un film rougeâtre. Éviter d'utiliser ces nettoyants.*

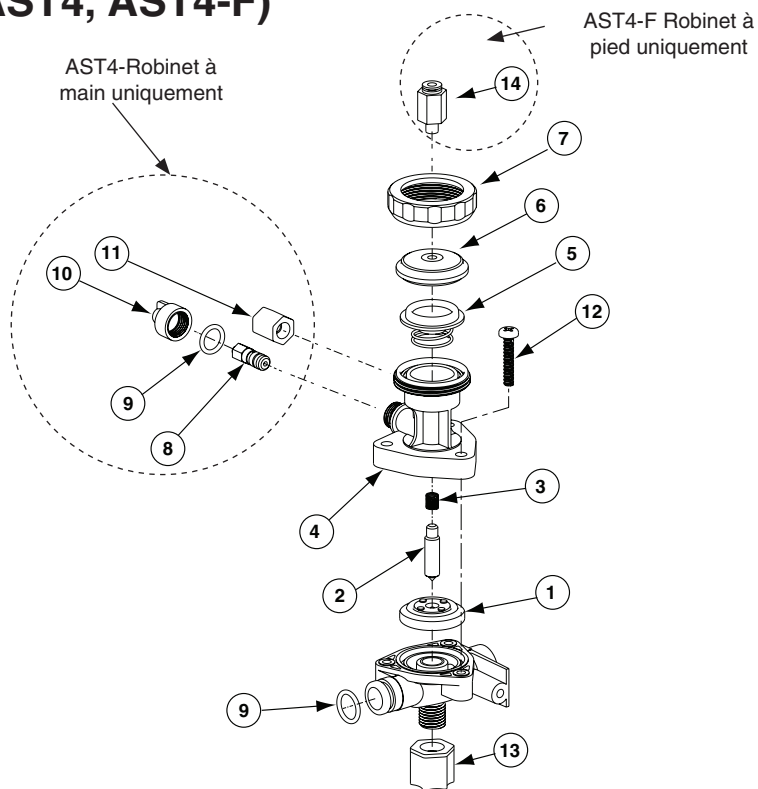
**Marques commerciales :** L'utilisation de marques commerciales n'est destinée qu'à indiquer un type de nettoyant. Ceci ne constitue aucunement un témoignage publicitaire de même que toute omission d'un nettoyant d'une marque commerciale quelconque n'implique son inefficacité. De nombreux produits sont distribués par région et peuvent se trouver dans les supermarchés locaux, grands magasins et quincailleries, ou par le biais d'un service de nettoyage. Il est à souligner que tous les produits doivent être utilisés en stricte conformité avec les instructions figurant sur l'emballage.

## Dépannage des robinets à air (AST4, AST4-F)



Couper l'alimentation en eau à l'unité avant d'effectuer toute réparation.

Repère	Qté	Désignation
1	1	Membrane
2	1	Armature
3	1	Ressort
4	1	Corps supérieur de robinet AST 4
5	1	Ensemble aimant/membrane
6	1	Capuchon de robinet AST 4
7	1	Écrou de serrage de collier de robinet AST 4
8	1	Ensemble de minuterie de robinet AST 4
9	2	Joint torique
10	1	Capuchon de minuterie de robinet AST 4
11	1	Écrou à compression, tube 1/8"
12	3	Vis, N° 8 x 7/8"
13	1	Écrou à compression, tube 1/4"
14	1	Connecteur de tube 10-32 x 1/8"



AST4-Robinet à main, AST4-F Robinet à pied

Problème	Cause	Solution
Le robinet ne se ferme pas.	Le mécanisme de minuterie est colmaté.	Nettoyer et inspecter le mécanisme de minuterie : 1. Si de l'air comprimé est disponible, souffler l'eau et les débris du couvercle de minuterie du mécanisme de minuterie. 2. Dévisser complètement la vis de réglage. Nettoyer et inspecter la vis et le corps du robinet. 3. Visser la vis de réglage sur le temps de cycle désiré.
Une ou plusieurs stations opérationnelles individuelles ne se mettent pas en marche.	L'eau n'est pas alimentée à l'unité.	Ouvrir toutes les butées du robinet mélangeur.
	La pression d'eau est supérieure à 80 PSI (5,5 bars).	Installer un robinet réducteur de pression.
	Ensemble membrane/aimant défectueux.	Dévisser l'écrou de serrage de collier de robinet sur le robinet. Retirer le capuchon du robinet. Appuyer délicatement sur la membrane. Le robinet devrait s'activer. Dans le cas contraire, remplacer l'ensemble membrane/aimant.
Une ou plusieurs stations opérationnelles individuelles s'arrêtent trop rapidement ou fonctionnent trop longtemps.	Il y a une fuite d'air.	Vérifier le robinet : 1. Vérifier le montage correct de l'ensemble de tubulures et des raccords. 2. Serrer le capuchon et l'écrou sur une tubulure de 1/8".
Le bouton-poussoir ne fonctionne pas correctement.	Le volume d'air risque de ne pas être suffisant pour faire fonctionner le robinet.	Vérifier la présence éventuelle de fuites et lubrifier le joint en coupelle : 1. Vérifier tous les raccords pour présence éventuelle de fuites d'air. 2. Démontez le bouton-poussoir et lubrifier le joint en coupelle (voir le schéma d'assemblage de bouton-poussoir à la page suivante).
L'eau s'égoutte des gicleurs.	Des débris se sont accumulés sur le siège du robinet ou les orifices.	Nettoyer et inspecter le siège de robinet : 1. Retirer les vis et démonter la valve doseuse. 2. Nettoyer le siège de robinet et vérifier la présence éventuelle d'entailles profondes ou de rayures. Remplacer le corps de robinet le cas échéant. 3. Retirer tout débris colmatant le trou décentré dans la membrane en caoutchouc.

## Dépannage du robinet mitigeur thermostatique

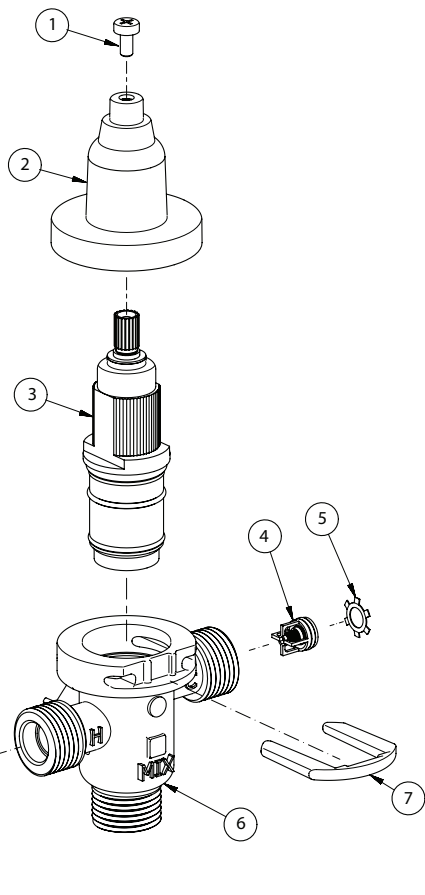
Avant d'essayer de dépanner le robinet mitigeur ou de le démonter, vérifier ce qui suit :

- Si des robinets d'arrêt sont utilisés, s'assurer qu'ils sont complètement ouverts.
- Vérifier que les tuyaux d'arrivée d'eau chaude et froide sont correctement raccordés, qu'ils ne sont pas croisés et que les robinets d'arrêt ne fuient pas.
- Vérifier que la sortie du chauffe-eau est à au moins 5,5 °C (10 °F) au-dessus de la température de réglage.



Veiller à fermer les robinets d'arrêt appropriés avant de démonter le mitigeur et à rouvrir les robinets une fois que le contrôle et les réparations sont terminés.

Problème	Cause	Solution
Fuites externes.	Cartouche ou joints toriques endommagés.	Remplacer la cartouche par la pièce réf. 269-1927.
Température de l'eau inadaptée ou fluctuations de température.	L'arrivée d'eau chaude n'est pas à 5,5 °C (10 °F) au-dessus du réglage souhaité.	Augmenter la température de l'arrivée d'eau chaude.
	Température du mitigeur mal réglée.	Régler la température comme indiqué à la page 16, étape 4.
Débit d'eau limité.	De la saleté et des débris se sont accumulés dans le mitigeur ou le filtre à tamis.	<ol style="list-style-type: none"> <li>1. Vérifier que les arrivées d'eau chaude et froide sont toutes deux raccordées au mitigeur et que de l'eau y circule.</li> <li>2. Retirer le couvercle et clip en U. Retirer la cartouche et nettoyer le filtre à tamis. Il n'est pas requis de graisser la cartouche toutefois, si cela est souhaité, utiliser exclusivement de la graisse de silicone. Ne pas utiliser de graisse sur les clapets anti-retour.</li> </ol>

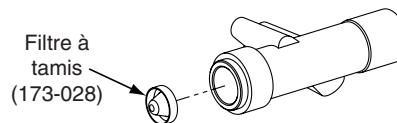


### Nomenclature

Repère	Réf. pièce	Description	Quantité
			S59-4000
1	160-463	Vis à tête	1
2	107-582	Couvercle	1
3	269-1927	Cartouche thermostatique	1
4	198-014	Clapet anti-retour*	2
5	132-051	Bague de retenue*	2
6	118-319	Corps de robinet	1
7	146-079	Clip en U	1

\*Inclus dans la trousse S65-326

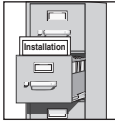
**Adaptateur de conduite tempérée en option (réf. S39-804)**  
(remplace S59-4000 si une conduite tempérée est utilisée)



## Dépannage des robinets à pied en position ouverte (AST4-F)

Problème	Cause	Solution
La station opérationnelle individuelle s'arrête lorsque le bouton-poussoir au pied est appuyé.	Il y a une fuite d'air.	<ol style="list-style-type: none"> <li>1. Vérifier le montage correct de l'ensemble de tubulures et des raccords.</li> <li>2. Serrer l'écrou à compression au niveau de la connexion de tubulure de 1/8".</li> <li>3. Si la fuite d'air persiste :               <ol style="list-style-type: none"> <li>a. Retirer les deux vis fixant la rosette du bouton-poussoir à pied et vérifier la connexion du coude 1/8" derrière l'ensemble de bouton-poussoir.</li> <li>b. Vérifier que la vis maintenant le coude est serrée et que le raccord dans le coude est fermement serré à la main.</li> <li>c. S'assurer que le raccord est fermement enfoncé dans le coude.</li> </ol> </li> <li>4. Si la fuite d'air persiste :               <ol style="list-style-type: none"> <li>a. Déconnecter la tubulure en appuyant sur la bague en plastique en haut du raccord et en la tirant.</li> <li>b. Couper 1/2" d'équerre à l'aide d'un couteau aiguisé.</li> <li>c. Enfoncer la tubulure dans le connecteur jusqu'à ce qu'elle soit fermement installée.</li> </ol> </li> <li>5. Si la fuite persiste toujours :               <ol style="list-style-type: none"> <li>a. Desserrer l'écrou à compression sur le robinet à air à l'intérieur du socle.</li> <li>b. Sortir la tubulure de 1/8" et couper 1/2" d'équerre avec un couteau aiguisé.</li> <li>c. Enfoncer la tubulure dans le robinet jusqu'à ce qu'elle soit fermement installée et serrer l'écrou à compression à la main.</li> </ol> </li> </ol>
La commande au pied individuelle ne s'active pas.	Ensemble membrane/aimant défectueux.	<ol style="list-style-type: none"> <li>1. Dévisser l'écrou de serrage de collier de robinet sur le robinet à pied.</li> <li>2. Retirer le capuchon du robinet. Si l'ensemble membrane/aimant ne se retire pas avec le capuchon, décoller délicatement la membrane du capuchon en faisant attention de ne pas l'endommager. Inspecter la membrane pour présence éventuelle de trous ou de déchirures. Si elle est endommagée, la remplacer.</li> <li>3. Réinsérer l'ensemble membrane/aimant dans le robinet sans remettre le couvercle en place.</li> <li>4. Appuyer délicatement sur la membrane. Si le robinet ne s'active toujours pas, il faut remplacer tout l'ensemble membrane/aimant.</li> </ol>

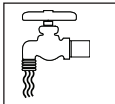
## ¡IMPORTANTE!



Lea en su totalidad este manual de instalación para garantizar una instalación adecuada. Al completar la instalación, entregue este manual al propietario o al Departamento de Mantenimiento. Es responsabilidad del instalador cumplir a cabalidad los códigos y las ordenanzas locales.



Saque las piezas del embalaje y asegúrese de haberlas sacado todas antes de desecharlo. Si falta alguna pieza, no comience la instalación hasta obtenerla.



Asegúrese de purgar todas las tuberías de suministro de agua y que éstas estén completamente cerradas antes de comenzar la instalación. Los desechos acumulados en las tuberías de suministro pueden provocar defectos en el funcionamiento de las válvulas.



Las garantías del producto se pueden encontrar en la sección "Products" (Productos) de nuestro sitio Web, [bradleycorp.com](http://bradleycorp.com).

### Materiales necesarios para la instalación:

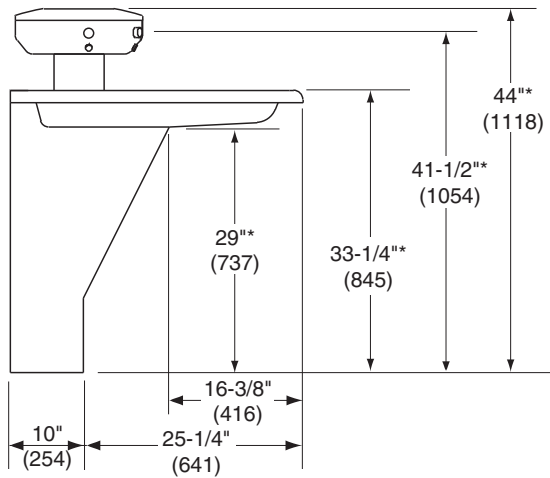
- Pernos de 3/8" de diámetro y anclajes de piso/pared para anclar el pedestal de la fuente de lavado al piso y a la pared
- Tubería de cobre nominal para agua caliente/fría de 1/2"
- Sifón en P estándar (sifón incluido con tipos de desagüe en "B" o "H" y algunos equipos opcionales)
- Conexiones y tuberías de desagüe de 1-1/2"
- Sellador para tubos

### Materiales recomendados para la instalación:

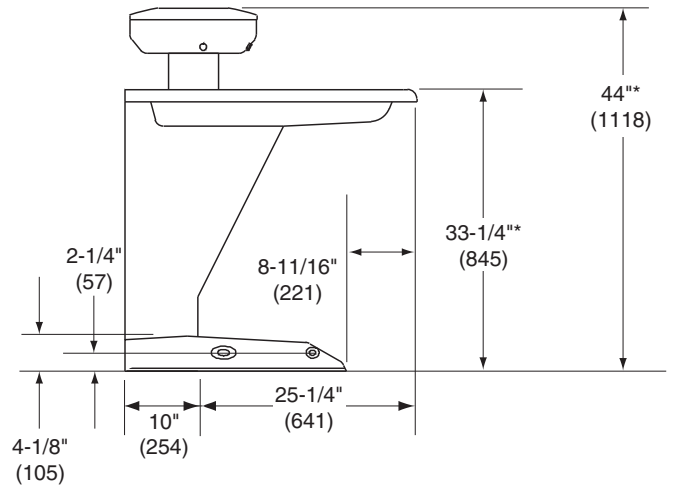
- Tubo de ventilación o conexión de 1-1/2" en tipos con ventilación a través de la columna de la fuente de lavado
- Masilla (se puede aplicar entre la protección contra salpicaduras y la palangana para evitar la acumulación de desechos)

# Dimensiones - Fuente de lavado semicircular Sentry™ (mm)

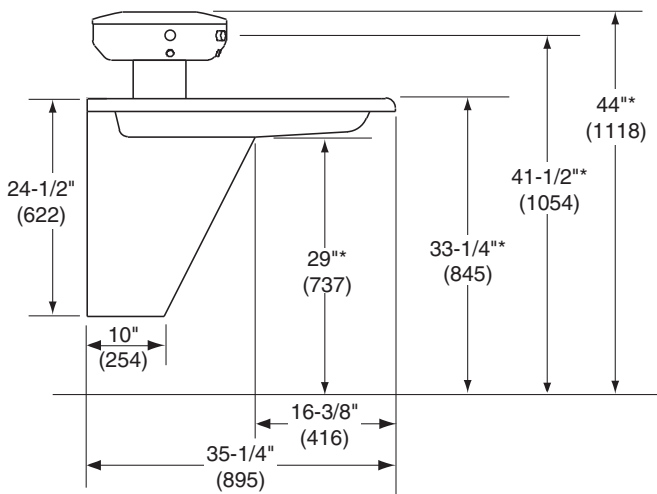
## Unidad de piso



## Control de pedal



## Control manual montado en la pared de 54" (1372)



**\* Reste 102 mm (4") de esta dimensión para el modelo de altura para menores.**



Los modelos de altura estándar y altura para menores con manual cumplen las normas de ADA/TAS.

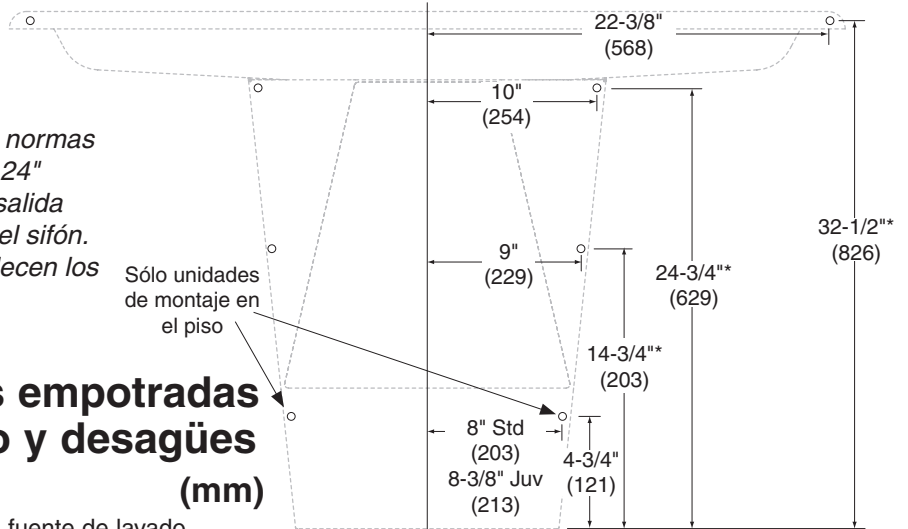
## Ubicaciones de tuberías empotradas para soportes anclados a la pared (mm)



Las dimensiones determinarán las ubicaciones de reforzamiento. Utilice la conexión como una plantilla para la ubicación precisa de los anclajes de 3/8".



Unidades montadas en el piso: Las normas UPC e IPC restringen a no más de 24" (610) la distancia vertical desde la salida de la pieza fija hasta el aliviadero del sifón. Verifique las variaciones que establecen los códigos locales.



## Dimensiones de tuberías empotradas para tubos de suministro y desagües (mm)

### Notas

La magnitud de flujo máximo necesaria para la fuente de lavado es de 1.5 GPM (5.7 LPM). Ajuste las tuberías de suministro en conformidad.

Tubos de suministro desde abajo: Que salgan 2-1/2" (64).

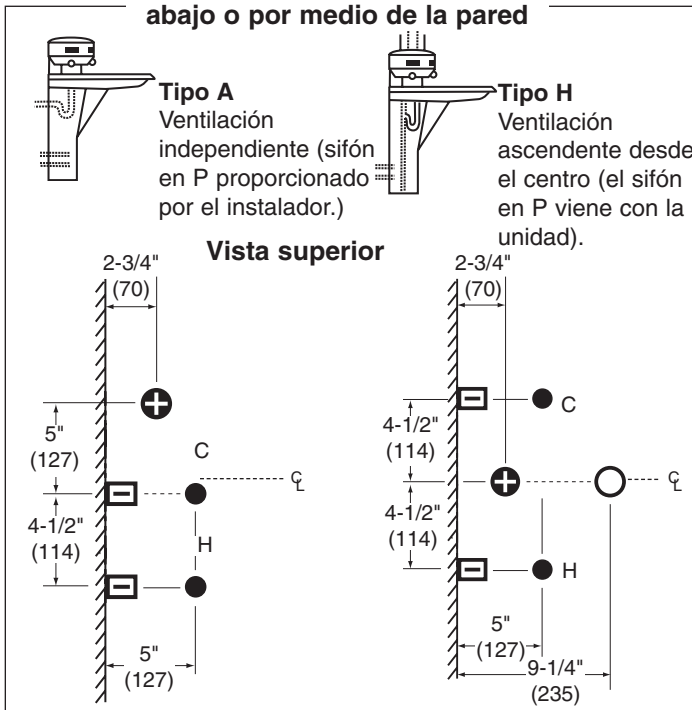
Tubos de suministro desde arriba: Los tubos de suministro deben estar ubicados en los centros de las dimensiones que se muestran para que pasen por el recubrimiento y la boquilla rociadora de la fuente de lavado.

Desagüe a través del piso: Que salga 3" (76).

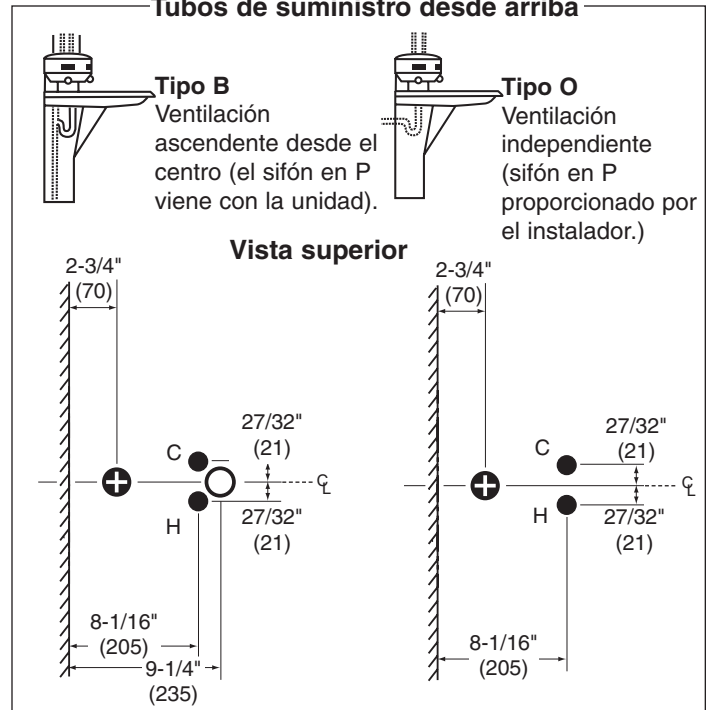
### Teclas

- Tubo de suministro de 1/2": Tubo de cobre nominal
- ▣ Tubo de suministro de 1/2" por la pared (opcional): Tubo de cobre nominal
- ⊕ Desagüe NPT de 1-1/2"
- Ventilación NPT de 1-1/2"

### Tubos de suministro desde abajo o por medio de la pared



### Tubos de suministro desde arriba



Cuando instale tubos de suministro o desagües a través de la pared, use las mismas medidas horizontales que se muestran en la vista superior. Posicione las aberturas sobre el piso terminado, en las siguientes dimensiones (en el centro):

Desagüe: Altura estándar: 19-1/4" (305)  
 Altura para menores: 15-1/4" (387)

Tubos de suministro: Altura estándar: 12" (305)  
 Altura para menores: 8" (203)

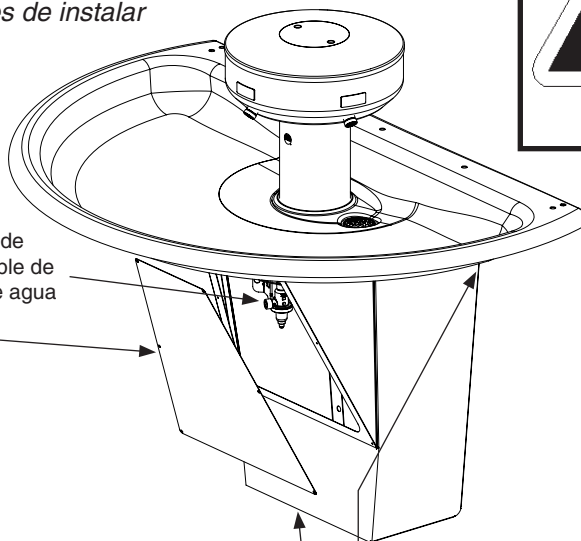


# 1 Instale la unidad



La colocación de las tuberías y los soportes de pared se debe completar antes de instalar correctamente la unidad.

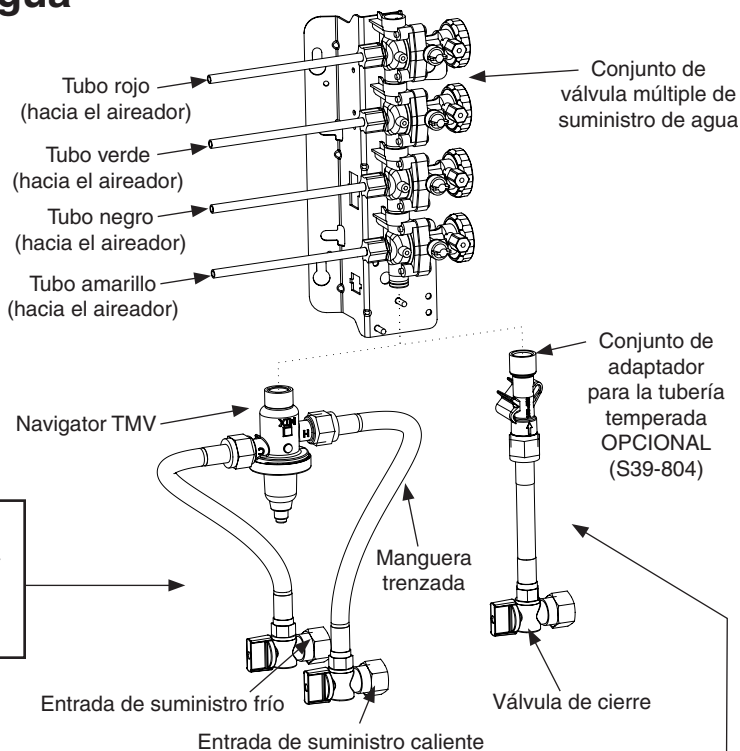
**A** Retire el panel de acceso y con la ayuda de otra persona, coloque la unidad en posición contra una pared.



**B** Asegúrese de que la unidad esté nivelada, compensando la unidad del piso si fuese necesario. Marque las ubicaciones de los anclajes de pared.

**C** Instale los anclajes de pared adecuados (proporcionados por el instalador) para pernos de 3/8" en las ubicaciones marcadas. Fije la unidad a la pared.

# 2 Conecte el suministro de agua al conjunto de la válvula



**A** Conecte las válvulas de cierre al suministro de agua caliente y fría. Conecte un extremo de cada manguera de suministro a una válvula de cierre y el otro extremo a las entradas fría y caliente de Navigator TMV.

**B** CONEXIÓN DE TUBERÍA TEMPERADA OPCIONAL: Conecte la válvula de cierre al suministro. Conecte un extremo de la manguera de suministro a la válvula de cierre y el otro extremo al adaptador de la tubería temperada en el conjunto de válvula múltiple.

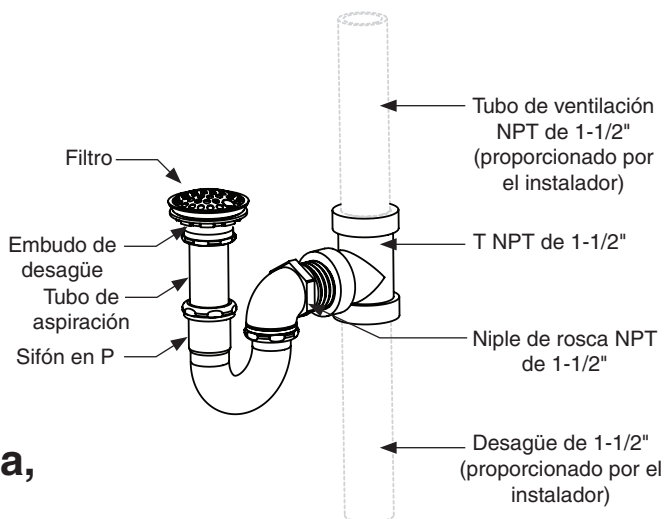


¡DETÉNGASE! Si instala el recubrimiento/anillo deslizante opcional o los dispensadores de toallas, complete aquellas instalaciones antes de pasar al paso 3 (consulte la página 27).


### 3 Conecte el desagüe

**Ventilación independiente (Tipo A u O):** Conecte el sifón en P de 1-1/2" y el tubo de desagüe (proporcionado por el instalador) al embudo de desagüe.

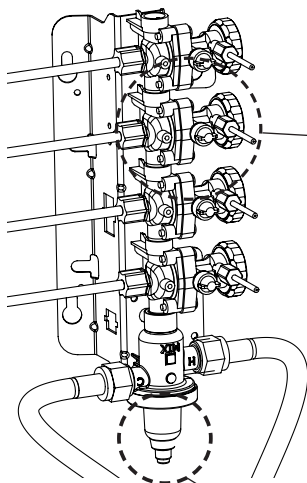
**Ventilación ascendente desde el techo (Tipo B o H) o modelos con dispensadores de toallas de papel opcionales:** Conecte el sifón en P ventilado (proporcionado) y el tubo de desagüe como se muestra:



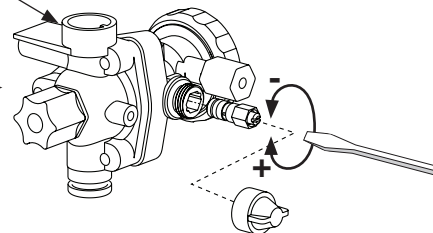
### 4 Encienda el suministro de agua, pruebe y ajuste la unidad

 *Revise para asegurarse de que las válvulas de retención y cierre estén abiertas antes de encender el suministro de agua.*

**A** Encienda el suministro de agua y revise que no hayan filtraciones. Active cada botón pulsador/botón de pedal para purgar aire de las tuberías.



**B** Ajuste la sincronización de dosificación de la válvula de aire, si lo desea (sólo unidades manuales).



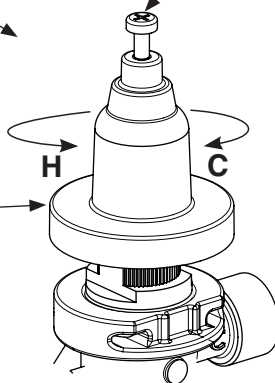
**Temporizador de dosificación de aire (sólo botón pulsador operado manualmente)**

**C** Suelte el tornillo de cabeza unos 1/4" (6mm) (4 a 6 giros) y levante la cubierta (sin quitarla).



*La válvula Navigator TMV NO viene configurada de fábrica. Luego de la instalación, se debe verificar y ajustar esta válvula para garantizar un suministro de agua a una temperatura segura. El agua, a una temperatura superior a 110° F (43° C) puede provocar quemaduras.*

**D** Utilizando la cubierta, gire con cuidado el cartucho hasta alcanzar la temperatura del agua que desee. No gire más allá de los toques, ya que se puede dañar la unidad. Presione la cubierta hacia abajo y apriete el tornillo.



## Dispensadores de toallas y recubrimiento de 4" opcionales

**A** Acople el anillo deslizante al techo. Utilice (5) tornillos de 1/4" (proporcionados por el instalador) en un círculo de 6" (152) de diámetro.

Soporte de montaje

**B** Acople los dispensadores, usándolos como una guía para posicionar los soportes de montaje.

Tubo de ventilación  
(se muestra para propósitos ilustrativos)

Recubrimiento

Tapón de llenado de jabón

**C** Con los tornillos que se proporcionan, fije la base del recubrimiento a la cubierta de la boquilla rociadora.

**D** Conecte la base del tubo de ventilación al desagüe como se describe en el paso 3.

## Soportes de montaje de dispensador opcional para tubos de 1-1/2"

**A** Monte los soportes para un tubo de 1-1/2" en forma similar a la anterior. Fije los soportes en su posición con soportes de travesa como se muestra.

Tapón hembra roscado

Soporte de montaje

Travesa

Manguito separador

## Limpieza del acero inoxidable

**Descripción del material:** El acero inoxidable es extremadamente duradero, y su mantenimiento es simple y económico. Sin embargo, un cuidado adecuado, en especial bajo condiciones de corrosión, es esencial. Siempre comience con la solución más simple, avanzando hacia las más complicadas.

**Limpieza de rutina:** Límpielo diariamente, o con la frecuencia necesaria, con una solución de agua tibia y jabón, detergente o amoníaco. Aplique la solución de limpieza según las instrucciones de fábrica; además, use siempre un paño o una esponja suave para no dañar el acabado.

**Manchas rebeldes:** Para quitar las manchas del acero inoxidable, use un limpiador adecuado o un limpiametales como el limpiador para acero inoxidable Ball®, o bien, un abrasivo suave. Siempre siga las instrucciones de fábrica y aplíquelos en la misma dirección que las líneas de pulido.

**¡ATENCIÓN! Nunca use fibra metálica ni cepillos de acero comunes sobre el acero inoxidable. Siempre use fibra metálica de acero inoxidable o cepillos de acero de las mismas características.**

### Situaciones especiales para el material

**Marcas de dedos y embarraduras:** Para quitar las marcas de dedos y las embarraduras, use un limpiador de alta calidad para acero inoxidable, de acuerdo con las instrucciones de fábrica. Muchos de estos productos dejan una capa protectora que ayuda a evitar futuras embarraduras y marcas de dedos.

**Grasa y aceite:** Para quitar la grasa y el aceite, use un detergente comercial de calidad o un limpiador cáustico. Aplíquelo de acuerdo con las instrucciones del fabricante y en dirección de las líneas de pulido.

**Precauciones:** Evite que el equipo de acero inoxidable tenga contacto prolongado con cloruros (blanqueadores, sales), bromuros (agentes desinfectantes), tiocianatos (pesticidas, agentes químicos para fotografía y algunos alimentos) y yoduros, especialmente si existen condiciones ácidas.

**¡ATENCIÓN! No deje que las soluciones salinas se sequen y evaporen sobre el acero inoxidable.**

La aparición de líneas de óxido en el acero inoxidable hace pensar que éste se está oxidando. Busque el origen real del óxido en algunas partículas de hierro o acero que se puedan estar tocando, pero que en realidad no sean parte de la estructura de acero inoxidable.

**AVISO: Los limpiadores extremadamente ácidos o cáusticos pueden atacar el acero, ocasionando la aparición de una película rojiza. Se debe evitar el uso de este tipo de limpiadores.**

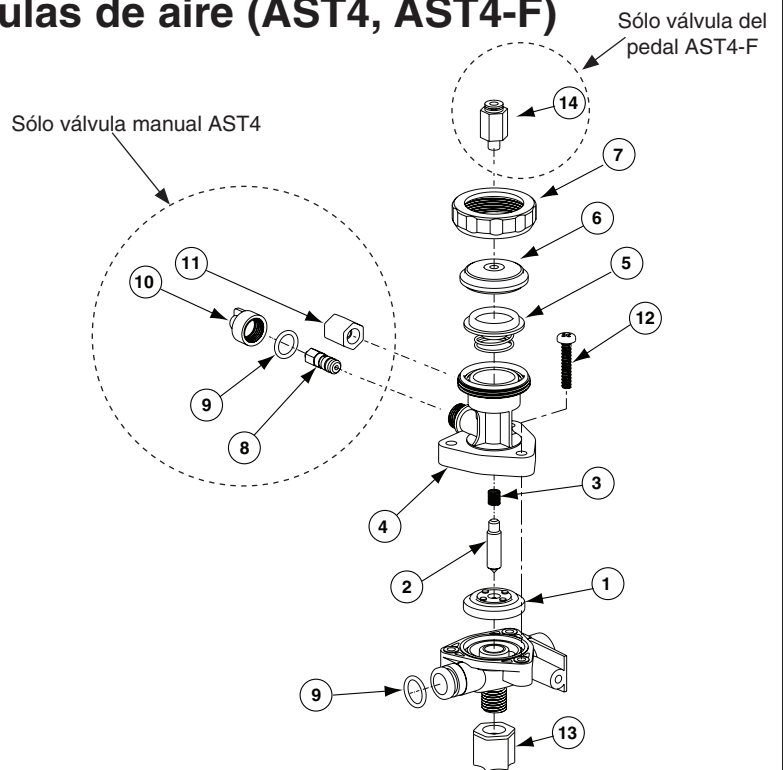
**Productos de marca:** El uso de productos de marca sólo tiene por objeto indicar un tipo de limpiador. Por lo que no constituye una promoción; tampoco la omisión de algún limpiador de marca implica que éste sea inadecuado. Muchos de los productos nombrados tienen una distribución regional, por lo que sólo se pueden encontrar tanto en supermercados como en tiendas de departamentos o ferreterías locales, o bien, a través de su servicio de limpieza. Es de suma importancia que todos los productos se usen de acuerdo con las instrucciones del embalaje.

## Solución de problemas de válvulas de aire (AST4, AST4-F)



Cierre los suministros de agua a la unidad antes de solucionar problemas.

Artículo	Cantidad	Descripción
1	1	Diafragma
2	1	Inducido
3	1	Resorte
4	1	Cuerpo superior de la válvula AST 4
5	1	Conjunto de imán/diafragma
6	1	Cubierta de la válvula AST 4
7	1	Tuerca de fijación de la válvula AST 4
8	1	Conjunto de temporizador de la válvula AST 4
9	2	Junta tórica
10	1	Cubierta del temporizador de la válvula AST 4
11	1	Tuerca de compresión, tubo de 1/8"
12	3	Tornillo, N° 8 x 7/8"
13	1	Tuerca de compresión, tubo de 1/4"
14	1	Conector de tubo de 10-32 x 1/8"



Válvula manual AST4, válvula del pedal AST4-F

Problema	Causa	Solución
La válvula no se cierra.	El mecanismo de sincronización está obstruido.	Limpie e inspeccione el mecanismo de sincronización: <ol style="list-style-type: none"> <li>1. Si se dispone de aire comprimido, elimine el agua y los desechos de la cubierta del temporizador del mecanismo de sincronización.</li> <li>2. Gire el tornillo de ajuste completamente hacia fuera. Limpie e inspeccione el tornillo y el cuerpo de la válvula.</li> <li>3. Gire el tornillo de ajuste hacia el tiempo de ciclo que desee.</li> </ol>
No se pudieron encender una o más estaciones de operación individuales.	No se suministra agua a la unidad.	Abra todas las válvulas de cierre en la válvula mezcladora.
	La presión de agua supera las 80 psi (5.5 barías).	Instale una válvula reductora de presión.
Una o más estaciones de operación individual se apagan demasiado rápido o funcionan por mucho tiempo.	Conjunto de diafragma/imán defectuoso.	Destornille la tuerca de fijación de la válvula. Retire la cubierta de la válvula. Presione con cuidado el diafragma. Se debiera activar la válvula. Si no es así, sustituya el conjunto de diafragma/imán.
	Existe una filtración de aire.	Verifique el conjunto de válvula: <ol style="list-style-type: none"> <li>1. Ver e la tapa y la tuerca en la tubería de 1/8"</li> </ol>
El botón pulsador no funciona correctamente.	Puede que el volumen de aire no sea suficiente como para hacer funcionar la válvula.	Busque filtraciones y lubrique la copa en U: <ol style="list-style-type: none"> <li>1. Verifique todas las conexiones en busca de filtraciones de aire.</li> <li>2. Desensamble el botón pulsador y lubrique el sello de copa en U (consulte el diagrama del conjunto de botón pulsador en la página siguiente).</li> </ol>
Gotea agua de las piezas formadoras del chorro.	Se acumularon desechos en el asiento de la válvula o en sus orificios.	Limpie e inspeccione el asiento de la válvula: <ol style="list-style-type: none"> <li>1. Retire los tornillos y desensamble la válvula dosificadora.</li> <li>2. Limpie el asiento de la válvula e inspeccione en busca de estrías profundas o rayones. Sustituya el cuerpo de la válvula si fuese necesario.</li> <li>3. Limpie todo el desecho que obstruya el orificio descentrado en el diafragma de goma.</li> </ol>

## Solución de problemas de la válvula mezcladora termostática

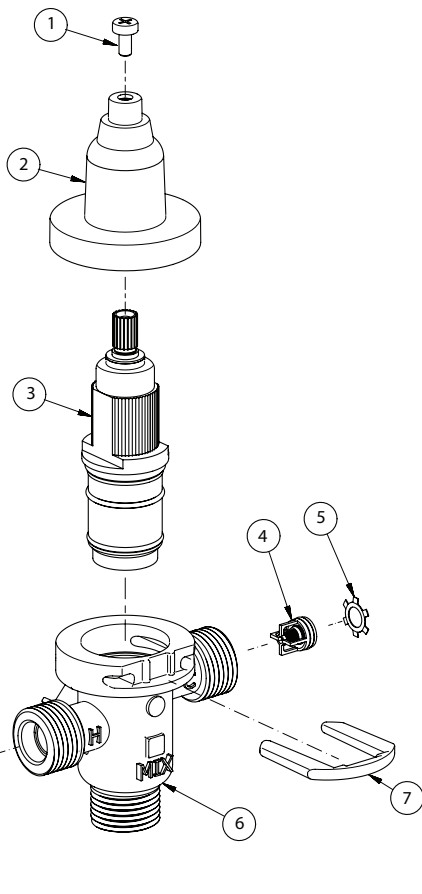
Antes de intentar solucionar problemas de la válvula o desensamblar los componentes, verifique las siguientes condiciones:

- Si se usan válvulas de cierre, compruebe que estén totalmente abiertas.
- Compruebe que los tubos de entrada de agua caliente y fría estén conectados correctamente, y que no existan conexiones cruzadas o válvulas de cierre con filtraciones.
- Revise la salida del calentador de agua caliente para comprobar que esté al menos a 5,5 °C (10 °F) por sobre la temperatura establecida.



Asegúrese de cerrar las válvulas de retención correspondientes antes de desensamblar la válvula, y vuelva a abrir las válvulas después de completar la inspección y la reparación.

Problema	Causa	Solución
Filtraciones externas.	Juntas tóricas o cartuchos dañados.	Sustituya el cartucho con la pieza número 269-1927.
Temperatura del agua o fluctuación de la temperatura incorrecta.	El suministro de agua caliente no está a 5,5 °C (10 °F) sobre el punto de ajuste deseado.	Aumente la temperatura del suministro de agua caliente.
	La temperatura de la válvula no está ajustada correctamente.	Ajuste la temperatura según se muestra en la página 26, paso 4.
Flujo de agua limitado.	La suciedad y los desechos se han acumulado en la válvula o en el filtro.	<ol style="list-style-type: none"> <li>1. Verifique que los suministros de agua fría y caliente estén conectados a la válvula mezcladora Navigator y que tengan flujo de agua.</li> <li>2. Retire la cubierta y la abrazadera en U. Retire el cartucho y limpie el filtro. No es necesario engrasar el cartucho; sin embargo, si desea hacerlo, sólo utilice grasa de silicona. No utilice grasa en las válvulas de retención.</li> </ol>

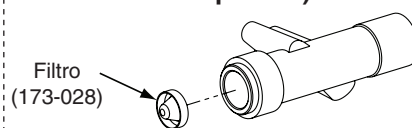


### Lista de piezas

Artículo	N.º de pieza	Descripción	Cantidad
			S59-4000
1	160-463	Tornillo de cabeza	1
2	107-582	Cubierta	1
3	269-1927	Cartucho termostático	1
4	198-014	Válvula de retención*	2
5	132-051	Anillo de retención*	2
6	118-319	Cuerpo de la válvula	1
7	146-079	Abrazadera en U	1

\* Se incluye con el conjunto preempaquetado S65-326

**Opción de adaptador para tubería temperada (n.º de pieza S39-804)**  
(reemplaza a S59-4000 si se usa una tubería temperada)



## Solución de problemas de las válvulas del pedal dejadas abiertas (AST4-F)

Problema	Causa	Solución
<p>Mientras se presiona el botón de pedal se apaga la estación de operación individual.</p>	<p>Existe una filtración de aire.</p>	<ol style="list-style-type: none"> <li>1. Verifique que todas las tuberías y conexiones estén ensambladas correctamente.</li> <li>2. Apriete la tuerca de compresión en la conexión de la tubería de 1/8".</li> <li>3. Si la filtración de aire persiste:               <ol style="list-style-type: none"> <li>a. Retire los dos tornillos que fijan el escudete del botón de pedal y revise la conexión de codo de 1/8" detrás del conjunto de botón pulsador.</li> <li>b. Asegúrese de que el tornillo que sostiene el codo esté apretado y que la conexión en el codo esté apretada firmemente con la mano.</li> <li>c. Asegúrese de empujar firmemente la conexión dentro del codo.</li> </ol> </li> <li>4. Si la filtración de aire persiste:               <ol style="list-style-type: none"> <li>a. Desconecte la tubería presionando y retirando el anillo plástico hacia abajo en la parte superior de la conexión.</li> <li>b. Recorte 1/2" (13) de forma cuadrada con un cuchillo.</li> <li>c. Empuje la tubería de vuelta al conector hasta que esté asentada firmemente.</li> </ol> </li> <li>5. Si la filtración aún persiste:               <ol style="list-style-type: none"> <li>a. Suelte la tuerca de compresión de la válvula de aire dentro del pedestal.</li> <li>b. Tire la tubería de 1/8" y recorte 1/2" (13) de forma cuadrada con un cuchillo.</li> <li>c. Empuje la tubería de vuelta a la válvula hasta que esté asentada firmemente y apriete la tuerca de compresión con la mano.</li> </ol> </li> </ol>
<p>No se pudo activar el control de pedal individual.</p>	<p>Conjunto de diafragma/imán defectuoso.</p>	<ol style="list-style-type: none"> <li>1. Destornille la tuerca de fijación de la válvula en la parte superior de la válvula del pedal.</li> <li>2. Retire la cubierta de la válvula. Si el conjunto de diafragma/imán sale junto con la cubierta, retire con cuidado el diafragma de la cubierta, procurando no dañarlo. Inspeccione el diafragma en busca de orificios o roturas. Si está dañado, sustitúyalo.</li> <li>3. Inserte el conjunto de diafragma/imán de vuelta en la válvula, pero déjelo sin la cubierta.</li> <li>4. Presione completamente y con cuidado el diafragma. Si la válvula no se activa, se debe sustituir el conjunto de diafragma/imán completo.</li> </ol>