



# LC800 Patient Care Unit, 47", Fixed Water Closet

- Combination Lavatory Closet Module
- China or Epoxy Coated Stainless Steel Toilet
- Meets Low Flow Flushing Requirements
- Built-In Bedpan Washer
- Stainless Steel Toe Kicks

## Specifications—Standard Equipment

### Cabinet

Frame is stainless steel; cabinet exterior is ¾" MDF with laminate finish in Wilsonart #1531-60 Light Beige. Interior finishes are laminate and satin finish stainless steel. Doors have rounded corners to enhance patient safety. Toilet tissue holder is conveniently located inside the cabinet door.

### Countertop

Standard finish for MDF/laminate countertop is Wilsonart #4633 Natural Nebula. Other countertop selections include other laminates, Terreon®, a densified solid surface material composed of bio-based resin or Terreon®RE, a densified solid surface material composed of a bio-based resin and preconsumer recycled granules. Terreon and TerreonRE are resistant to chemicals, stains, burns and impact. Surface damage can be easily repaired with everyday cleansers or fine grit abrasives. Terreon and TerreonRE are certified by Home Innovation Lab to meet CSA B45.5/IAPMO Z124. Terreon and TerreonRE are GREENGUARD® certified as low-emitting materials.

### Bowl

14 gauge stainless steel bowl with factory-installed caulking available with laminate or stainless steel countertop. Measures 14½" x 9½" x 5" deep. Optional Terreon countertop features an integral 16¾" x 9½" x 8" deep double step bowl with IV drip ledge. Traps and stops complying with local codes to be furnished by plumbing contractor.

### Toilet

Available in left- or right-side toilet configurations. Toilet is available in floor or wall mount with a top spud inlet supply. Toilet is available in siphon jet elongated white china with bedpan lugs. Stainless steel toilet is constructed entirely of heavy gauge stainless steel and will support a 5,000 lb. static load. Siphon jet type with elongated bowl, integral flushing rim, and remote-actuated hydraulic flushing system with push button. 25 PSI minimum is required for flushing. White seat with cover has self-sustaining hinge. Toilet assembly meets ANSI/ASME A112.19.2.

- 1.6 gpf is not available for use in California per California Energy Commission 20 CCR T. 20, Div. 2, §1601-1609.

## Check Your Surroundings

Certain factors, such as intense direct sunlight, other infrared devices, or other site conditions may interfere with the activation of infrared faucets. Contact your local Bradley representative to discuss any application concerns.

### cUPC Approval

Patient Care LC800 is Uniform Plumbing Code (UPC), International Plumbing Code (IPC) and National Plumbing Code of Canada (NPC) approved through the International Association of Plumbing and Mechanical Officials (IAPMO). Manufactured in compliance with IGC 156-2009, CSA B45 Series-2002 (R08) & ASME A112.18.1-2005/CSA B125.1-2005.

Verify all rough-in dimensions prior to installation.

Consult local and national codes. Conformity and compliance to local and national codes is the responsibility of the installer.

Page 1 of 4 10/29/2018

This information is subject to change without notice.

Bradley\_PatientCare\_LC800



- Standard product selections contained within this document are third party **CERTIFIED** to NSF/ANSI 372 meeting the Lead-Free content requirement. Any product configured with custom options will be **COMPLIANT** with NSF/ANSI 372 meeting the Lead-Free content requirement.

## Office of Statewide Health Planning and Development ANCHORAGE PRE-APPROVAL

Equipment Type: LavCare 800 Series

Patient Care Module 47" Fixed Water Closet

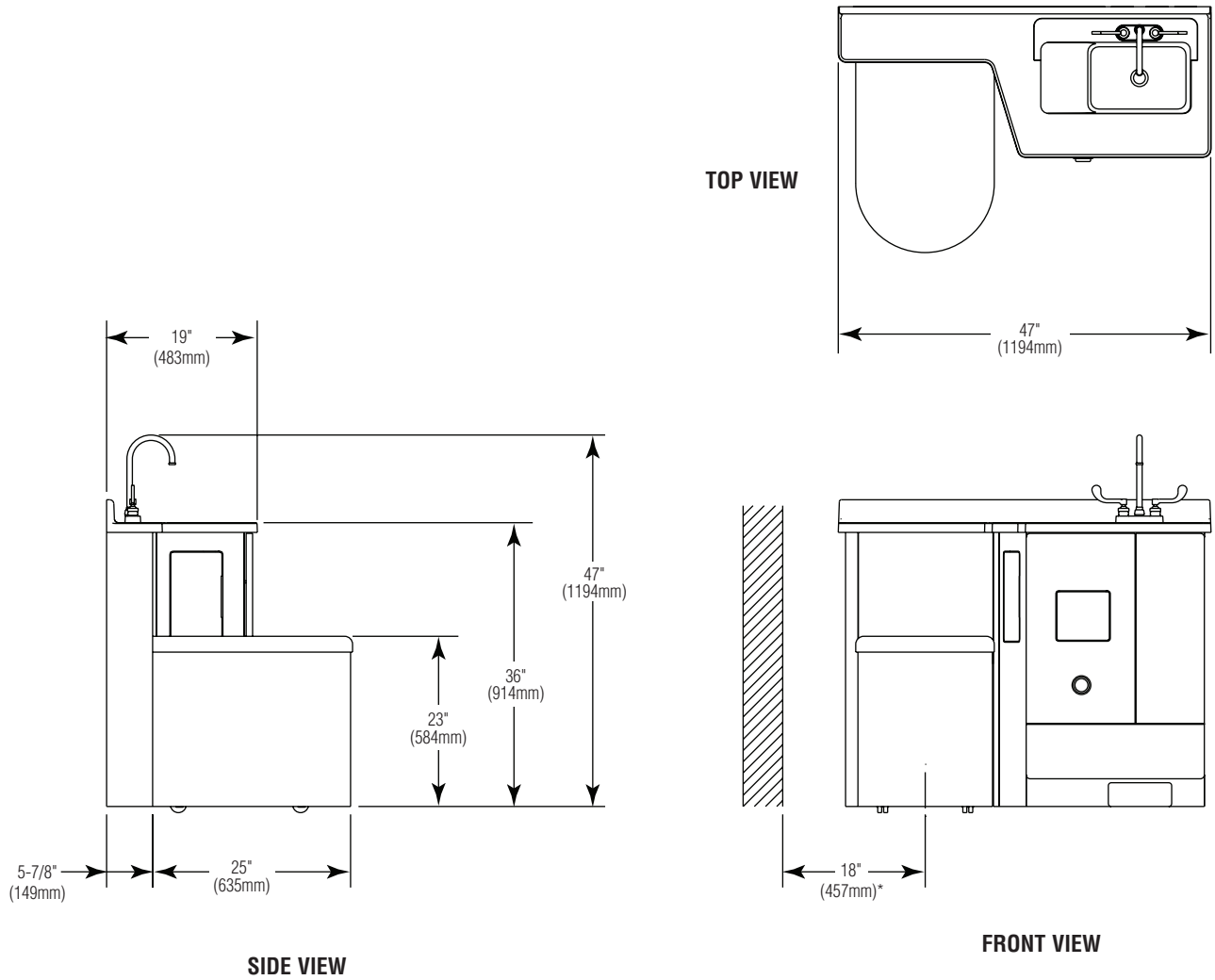


© 2018 Bradley  
P.O. Box 309, Menomonee Falls, WI 53052-0309  
800 BRADLEY (800 272 3539) +1 262 251 6000  
bradleycorp.com



# LC800 Patient Care Unit, 47", Fixed Water Closet

## LEFT HAND VERSION



\* 18" (457mm) minimum clearance between sidewall & centerline of watercloset required to allow for proper leg clearance.

Bradley Corporation reserves the right to make changes in design and material without formal notice, and without incurring obligation. Verify all rough-in dimensions prior to installation.

Verify all rough-in dimensions prior to installation.

Consult local and national codes. Conformity and compliance to local and national codes is the responsibility of the installer.

Page 2 of 4 10/29/2018

This information is subject to change without notice.

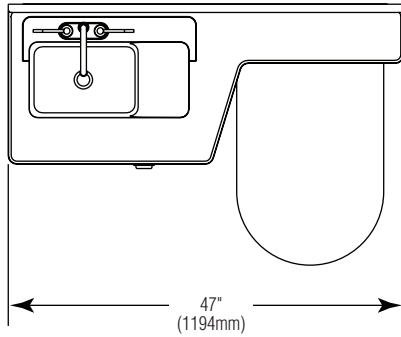
Bradley\_PatientCare\_LC800

© 2018 Bradley  
P.O. Box 309, Menomonee Falls, WI 53052-0309  
800 BRADLEY (800 272 3539) +1 262 251 6000  
bradleycorp.com

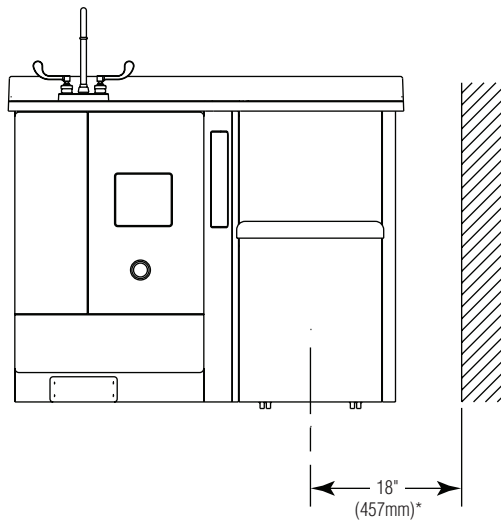


# LC800 Patient Care Unit, 47", Fixed Water Closet

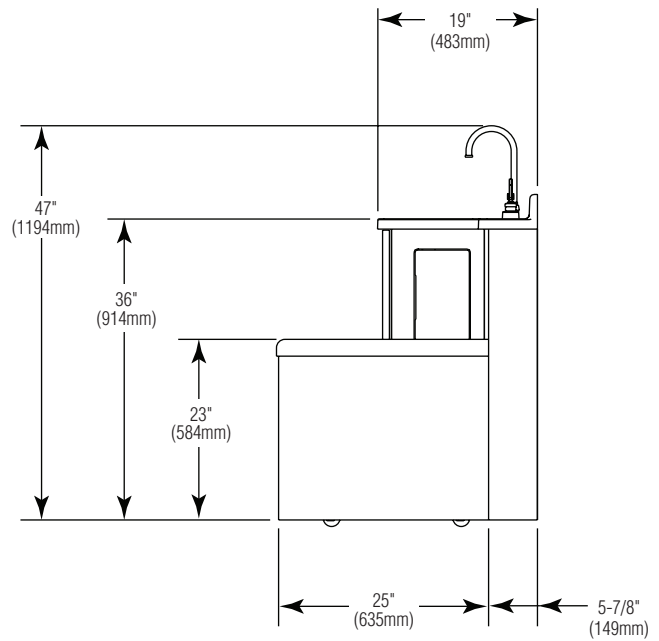
## RIGHT-HAND VERSION



TOP VIEW



FRONT VIEW



SIDE VIEW

\* 18" (457mm) minimum clearance between sidewall & centerline of watercloset required to allow for proper leg clearance.

Verify all rough-in dimensions prior to installation.

Consult local and national codes. Conformity and compliance to local and national codes is the responsibility of the installer.

Page 3 of 4

10/29/2018

This information is subject to change without notice.

Bradley\_PatientCare\_LC800

© 2018 Bradley  
P.O. Box 309, Menomonee Falls, WI 53052-0309  
800 BRADLEY (800 272 3539) +1 262 251 6000  
bradleycorp.com



# LC800 Patient Care Unit, 47", Fixed Water Closet

<b>Model</b>	<b>Description</b>		
<input type="checkbox"/> LC800	47" Patient Care Unit, Pivot Water Closet, Bedpan Washer		
<b>Standard Selections</b>			
<b>Water Closet Location (select one)</b>			
<input type="checkbox"/> LEFT	Left-Side		
<input type="checkbox"/> RIGHT	Right-Side		
<b>Water Closet Material Type (select one)</b>			
<input type="checkbox"/> STAINSS	Stainless Steel		
<input type="checkbox"/> CHINA	China		
<b>Waste Outlet Type (select one)</b>			
<input type="checkbox"/> WALL	Wall-Mount with Wall Waste Outlet		
<input type="checkbox"/> FLOOR	Floor-Mount with Floor Waste Outlet		
<b>Waste Connection Type (select one)</b>			
<input type="checkbox"/> GSKT	Neoprene Gasket		
<b>Cabinet Color (select one)</b>			
<input type="checkbox"/> SCC	Wilsonare #1531-60 Light Beige Laminate (Standard)		
<input type="checkbox"/> SPCC	Specify Formica, Wilsonart or Nevamar Brand Laminates Color: _____		
<b>Countertop Type (select one)</b>			
<input type="checkbox"/> STC	Wilsonart #4633 Natural Nebula laminate (standard)		
<input type="checkbox"/> SPTC	Specify Formica, Wilsonart or Nevamar Brand laminates Color: _____		
<input type="checkbox"/> TERR	Terreon Countertop (must select top and bowl)		
<input type="checkbox"/> NO-TOP	Less countertop and bowl		
<b>Countertop Colors - Terreon® Only (select one)</b>			
<i>Standard Colors</i>			
<input type="checkbox"/> ALP-WHT	Alpine White	<input type="checkbox"/> LANNON	Lannonstone
<input type="checkbox"/> AVALANCHE	Avalanche†	<input type="checkbox"/> LONDON	London Gray
<input type="checkbox"/> BONE	Mesa Bone	<input type="checkbox"/> MOONSTONE	Moonstone†
<input type="checkbox"/> CHAR	Charcoal Gray	<input type="checkbox"/> O-TAUPE	Organic Taupe
<input type="checkbox"/> COBBLE	Cobblestone	<input type="checkbox"/> PEBBLE	Pebble Beach
<input type="checkbox"/> DRIFT	Driftwood†	<input type="checkbox"/> PEP-WHT	Peppered White
<input type="checkbox"/> DS-WHT	Designer White	<input type="checkbox"/> POLAR	Polar Ice†
<input type="checkbox"/> DUNE	Sand Dune†	<input type="checkbox"/> SAND	Sandtrap
<input type="checkbox"/> E-GRAY	Empire Gray	<input type="checkbox"/> S-CREEK	Stone Creek
<input type="checkbox"/> GLACIER	Glacier	<input type="checkbox"/> S-MIST	Silver Mist
<input type="checkbox"/> GRAPH	Graphite	<input type="checkbox"/> WHT-SAND	White Sand
<i>Designer Colors (available at an additional charge)</i>			
<input type="checkbox"/> ARC-CHIP	Arctic Chip	<input type="checkbox"/> RIVER	Riverstone
<input type="checkbox"/> COFFEE	Coffee Bean		
<i>TerreonRE Colors (available at an additional charge)</i>			
<input type="checkbox"/> BIRCH-BARK	Birch Bark	<input type="checkbox"/> MOONDUST	Moondust
<input type="checkbox"/> DUSK	Dusk	<input type="checkbox"/> OAT	Oat
<b>Bowl Color - Terreon Countertop Only (select one)</b>			
<input type="checkbox"/> SAME	Same as Deck	<input type="checkbox"/> LONDON	London Gray
<input type="checkbox"/> ALP-WHT	Alpine White	<input type="checkbox"/> O-TAUPE	Organic Taupe
<input type="checkbox"/> BONE	Mesa Bone		
<input type="checkbox"/> DS-WHT	Designer White		

<b>Backsplash Type (select one)</b>	
<input type="checkbox"/> BSO	One Wall - Back Side Only (standard)
<input type="checkbox"/> BSRS	Two Walls - Back and Right Side
<input type="checkbox"/> BSLS	Two Walls - Back and Left Side
<input type="checkbox"/> BSBS	Three Walls - Back, Right & Left Sides from Alcove
<b>Faucet Type* (select one)</b>	
<input type="checkbox"/> WB	Gooseneck Faucet with wristblade handles
<input type="checkbox"/> FP	Deck-Mounted Spout/Foot Pedal Control
<input type="checkbox"/> IR-AC	Infrared Gooseneck Faucet
<input type="checkbox"/> IR-DC	Infrared Gooseneck Faucet, Battery-Operated
<input type="checkbox"/> SHANK	Centershank Drilling
<input type="checkbox"/> 4"SET	4" Centerset Drilling
<input type="checkbox"/> NFD	No Faucet/Drilling
<b>Water Supply Type (select one)</b>	
<input type="checkbox"/> TMA	TMA Navigator® Thermostatic Mixing Valve §
<input type="checkbox"/> NONE	No Mixing Valve
<b>Bedpan Washer Type (select one)</b>	
<input type="checkbox"/> BWVC	Bedpan Washer w/ Volume Control Valve
<input type="checkbox"/> BWFC	Bedpan Washer w/ Foot Control Valve
<input type="checkbox"/> SB	Storage Box
<b>Backflow Preventer Type (must select one with Bedpan Washer Type BWVC or BWFC)</b>	
<input type="checkbox"/> S86-121L	Backflow preventer - Left Side Water Closet. Required w/ Bedpan Washer selections. Must order as separate line item and can be shipped in advance.
<input type="checkbox"/> S86-121R	Backflow Preventer - Right Side Water Closet. Required w/ Bedpan Washer selections. Must order as separate line item and can be shipped in advance.
<b>Dialysis Box Type (select one)</b>	
<input type="checkbox"/> DB1	Single Valve Dialysis Box
<input type="checkbox"/> DB2	Dual Valve Dialysis Box
<input type="checkbox"/> SB	Storage Box
<b>Grab Bar Type (select one)</b>	
<input type="checkbox"/> SDGB	Swing Down 30" Long
<input type="checkbox"/> WGB	Wall Mount 42" Long
<input type="checkbox"/> NONE	No Grab Bar
<b>Roll-Away Cover Type** (select one)</b>	
<input type="checkbox"/> STRC	Roll-Away Water Closet Cover/Exam Stool Wilsonart #1531-60 Light Beige (Standard)
<input type="checkbox"/> SPRC	Specify Formica, Wilsonart or Nevamar Brand Laminates
<input type="checkbox"/> NONE	No Roll-Away Cover

- All Patient Care Units are non-cancelable and non-returnable because they are made to exact specifications for each order.
- Once you have determined your configuration, please contact your Bradley Representative for rough-in information.
- Bradley Corporation reserves the right to make changes in design and material without formal notice, and without incurring obligation.

\* Faucets and drillings available only when countertop has been selected.  
 \*\*Not available with BWFC option. Roll-away interferes with foot pedal.  
 § Required and only available with faucet type IR-AC and IR-DC.  
 † This color contains large, randomly distributed chips.

Verify all rough-in dimensions prior to installation.  
 Consult local and national codes. Conformity and compliance to local and national codes is the responsibility of the installer.  
 Page 4 of 4 10/29/2018  
 This information is subject to change without notice.  
 Bradley\_PatientCare\_LC800

© 2018 Bradley  
 P.O. Box 309, Menomonee Falls, WI 53052-0309  
 800 BRADLEY (800 272 3539) +1 262 251 6000  
 bradleycorp.com