



# LC2000 Patient Care Unit, 60", Fixed Water Closet

- Combination Lavatory/Water Closet Module
- Hide-Away Padded Seat
- Padded Back Rest
- All Stainless Steel Toilet — Epoxy Coated
- Meets Low Flow Flushing Requirements
- Built-in Grab Bar
- Solid Surface Countertop and Lavatory
- Backflow preventer standard with flexible bedpan washer options.

## Specifications—Standard Equipment

### Cabinet

Cabinet exterior is 3/4" MDF plywood with laminate finish in Wilsonart #1531-60 Light Beige. Optional laminate brands and colors can be selected. Interior finishes are laminate and satin finish stainless steel. Doors have rounded corners to enhance patient safety. Easily installed to plywood reinforced stud wall.

### Countertop

Standard countertop is Terreon®, a densified solid surface material composed of bio-based resin or Terreon®RE, a densified solid surface material composed of a bio-based resin and preconsumer recycled granules. Terreon and TerreonRE are resistant to chemicals, stains, burns and impact. Surface damage can be easily repaired with everyday cleansers or fine grit abrasives. Terreon and TerreonRE are certified by Home Innovation Lab to meet CSA B45.5/IAPMO Z124. Terreon and TerreonRE are GREENGUARD® certified as low-emitting materials.

### Bowl

Integral seamless construction to eliminate seams or voids. No-drip edge countertop and bowl are constructed of Terreon solid surface material. Integral sink measures 16" x 13" x 5 1/2" deep. Drilled for 4" centerset faucet as standard. Removable grid strainer and tailpiece.

### Toilet

Available in left or right-side toilet configurations. Toilet is constructed entirely of heavy gauge stainless steel and will support a 5,000 lb. static load. Siphon jet type with elongated bowl, integral flushing rim, and remote-actuated hydraulic flushing system with push button. 25 PSI minimum is required for flushing. White seat has self-sustaining hinge. Toilet is anchored to floor. A 1.6 gallon per flush (low flow) toilet is standard. Toilet assembly meets ANSI/ASME A112.19.2.

- 1.6 gpf is not available for use in California per California Energy Commission 20 CCR T. 20, Div. 2, §1601-1609.

## Check Your Surroundings

Certain factors, such as intense direct sunlight, other infrared devices, or other site conditions may interfere with the activation of infrared faucets. Contact your local Bradley representative to discuss any application concerns.

- Standard product selections contained within this document are third party **CERTIFIED** to NSF/ANSI 372 meeting the Lead-Free content requirement. Any product configured with custom options will be **COMPLIANT** with NSF/ANSI 372 meeting the Lead-Free content requirement.

Verify all rough-in dimensions prior to installation.

Consult local and national codes. Conformity and compliance to local and national codes is the responsibility of the installer.

Page 1 of 4 11/5/2018

This information is subject to change without notice.

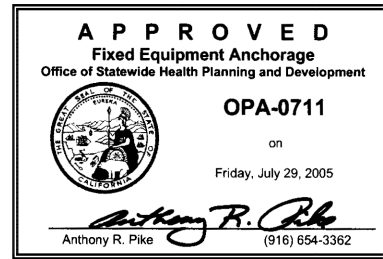
Bradley\_PatientCare\_LC2000



LC200 (right-hand configuration shown)

## Office of Statewide Health Planning and Development ANCHORAGE PRE-APPROVAL

Equipment Type: LavCare 2000 Series Patient Care Module



Certified to NSF/ANSI 372

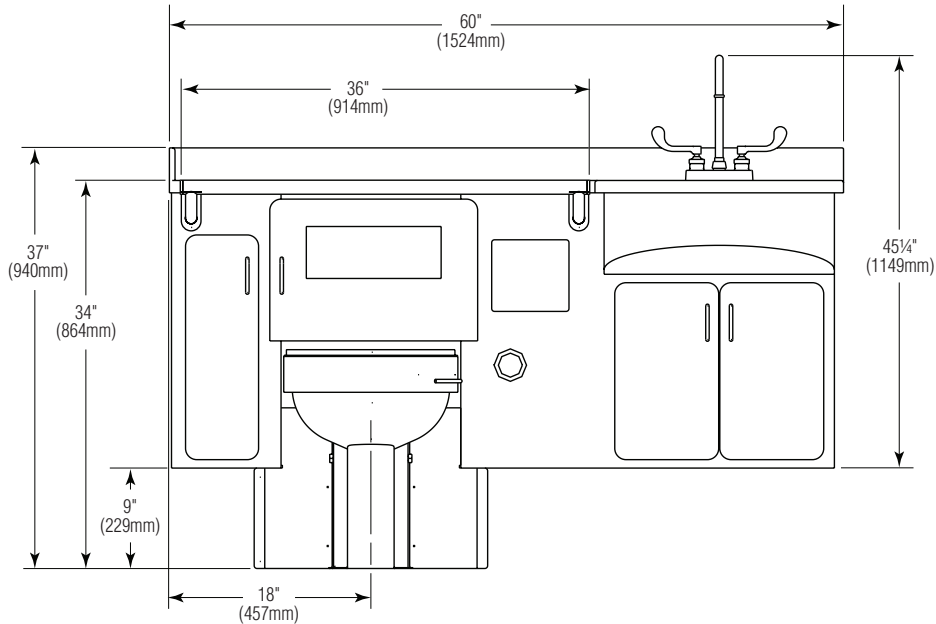


© 2018 Bradley  
P.O. Box 309, Menomonee Falls, WI 53052-0309  
800 BRADLEY (800 272 3539) +1 262 251 6000  
bradleycorp.com

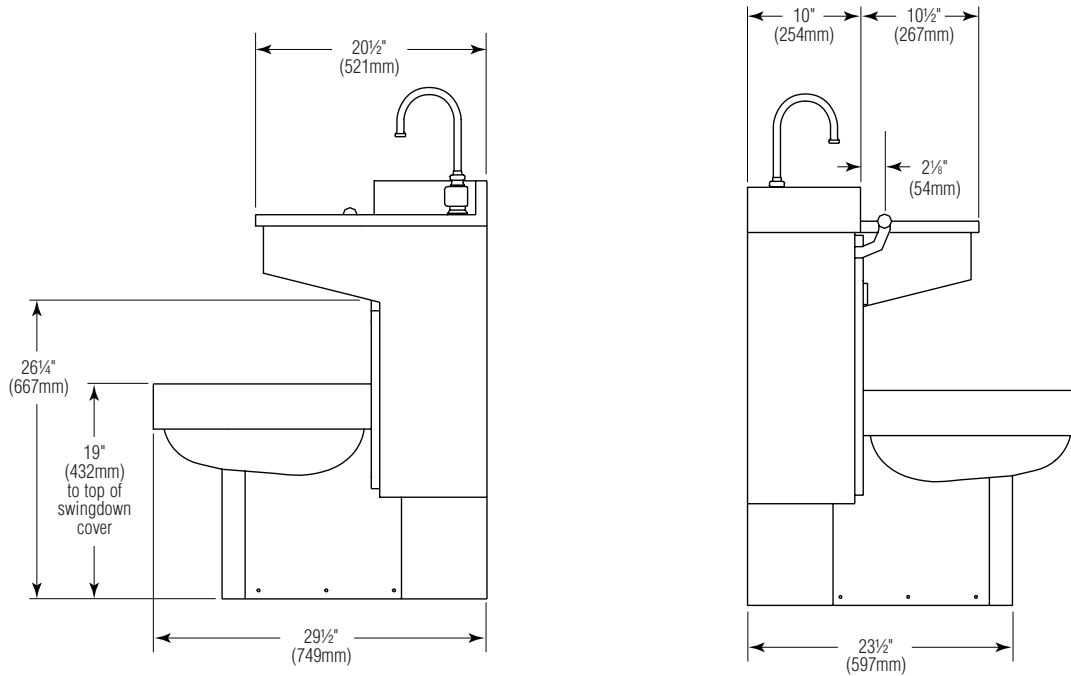


# LC2000 Patient Care Unit, 60", Fixed Water Closet

## LEFT-HAND VERSION



## FRONT VIEW



## RIGHT SIDE VIEW

## LEFT SIDE VIEW

Verify all rough-in dimensions prior to installation.

Consult local and national codes. Conformity and compliance to local and national codes is the responsibility of the installer.

Page 2 of 4

11/5/2018

This information is subject to change without notice.

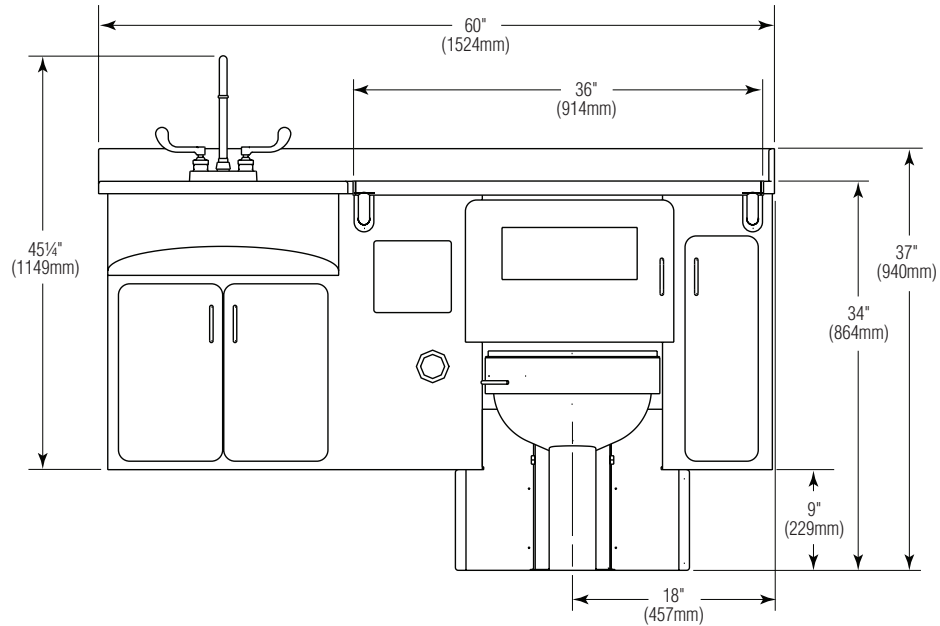
Bradley\_PatientCare\_LC2000

© 2018 Bradley  
P.O. Box 309, Menomonee Falls, WI 53052-0309  
800 BRADLEY (800 272 3539) +1 262 251 6000  
bradleycorp.com

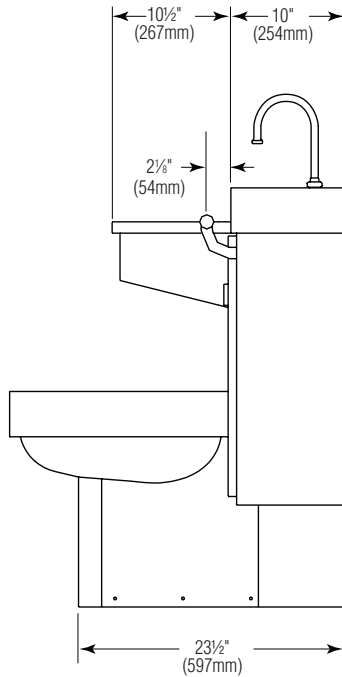


# LC2000 Patient Care Unit, 60", Fixed Water Closet

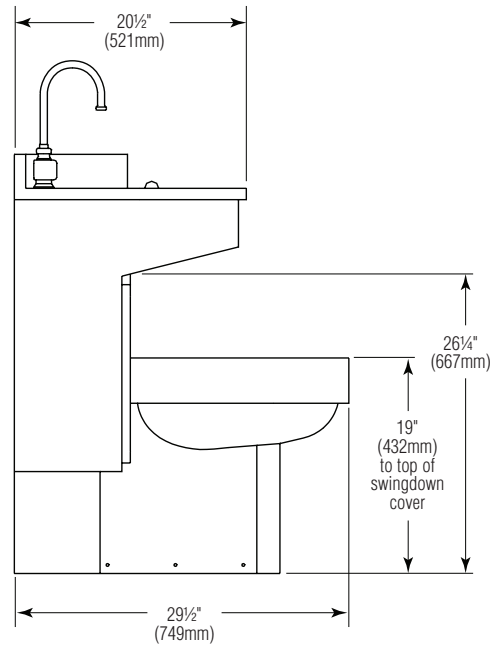
## RIGHT-HAND VERSION



## FRONT VIEW



## LEFT SIDE VIEW



## RIGHT SIDE VIEW

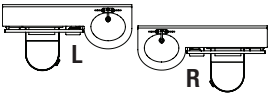
Verify all rough-in dimensions prior to installation.

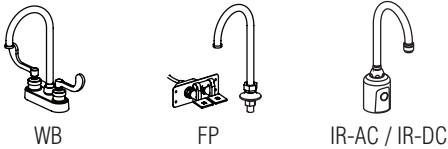
Consult local and national codes. Conformity and compliance to local and national codes is the responsibility of the installer.



# LC2000

## Patient Care Unit, 60", Fixed Water Closet

<b>Model</b>	<b>Description</b>
<input type="checkbox"/> <b>LC2000</b>	60" Patient Care Unit, Pivot Water Closet, Bedpan Washer
<b>Standard Selections</b>	
<b>Water Closet Location (select one)</b>	
<input type="checkbox"/> <b>LEFT</b>	Left-Side
<input type="checkbox"/> <b>RIGHT</b>	Right-Side
	
<b>Waste Outlet Type (select one)</b>	
<input type="checkbox"/> <b>WALL</b>	Wall-Mount with Wall Waste Outlet
<input type="checkbox"/> <b>FLOOR</b>	Floor-Mount with Floor Waste Outlet
<b>Waste Connection Type (select one)</b>	
<input type="checkbox"/> <b>3NH</b>	3" No-Hub Waste Connection
<input type="checkbox"/> <b>4NH</b>	4" No-Hub Waste Connection
<b>Cabinet Color (select one)</b>	
<input type="checkbox"/> <b>SCC</b>	Wilsonart #1531-60 Light Beige Laminate (Standard)
<input type="checkbox"/> <b>SPCC</b>	Specify Formica, Wilsonart or Nevamar Brand Laminates Color: _____
<b>Countertop Type (select one)</b>	
<input type="checkbox"/> <b>TERR</b>	Terreon Countertop (must select top and bowl)
<input type="checkbox"/> <b>NO-TOP</b>	Less countertop and bowl
<b>Countertop Colors - Terreon® Only (select one)</b>	
<i>Standard Colors</i>	
<input type="checkbox"/> <b>ALP-WHT</b>	Alpine White
<input type="checkbox"/> <b>AVALANCHE</b>	Avalanche†
<input type="checkbox"/> <b>BONE</b>	Mesa Bone
<input type="checkbox"/> <b>CHAR</b>	Charcoal Gray
<input type="checkbox"/> <b>COBBLE</b>	Cobblestone
<input type="checkbox"/> <b>DRIFT</b>	Driftwood†
<input type="checkbox"/> <b>DS-WHT</b>	Designer White
<input type="checkbox"/> <b>DUNE</b>	Sand Dune†
<input type="checkbox"/> <b>E-GRAY</b>	Empire Gray
<input type="checkbox"/> <b>GLACIER</b>	Glacier
<input type="checkbox"/> <b>GRAPH</b>	Graphite
<input type="checkbox"/> <b>LANNON</b>	Lannonstone
<input type="checkbox"/> <b>LONDON</b>	London Gray
<input type="checkbox"/> <b>MOONSTONE</b>	Moonstone†
<input type="checkbox"/> <b>O-TAUPE</b>	Organic Taupe
<input type="checkbox"/> <b>PEBBLE</b>	Pebble Beach
<input type="checkbox"/> <b>PEP-WHT</b>	Peppered White
<input type="checkbox"/> <b>POLAR</b>	Polar Ice†
<input type="checkbox"/> <b>SAND</b>	Sandtrap
<input type="checkbox"/> <b>S-CREEK</b>	Stone Creek
<input type="checkbox"/> <b>S-MIST</b>	Silver Mist
<input type="checkbox"/> <b>WHT-SAND</b>	White Sand
<i>Designer Colors (available at an additional charge)</i>	
<input type="checkbox"/> <b>ARC-CHIP</b>	Arctic Chip
<input type="checkbox"/> <b>COFFEE</b>	Coffee Bean
<input type="checkbox"/> <b>RIVER</b>	Riverstone
<i>TerreonRE Colors (available at an additional charge)</i>	
<input type="checkbox"/> <b>BIRCH-BARK</b>	Birch Bark
<input type="checkbox"/> <b>DUSK</b>	Dusk
<input type="checkbox"/> <b>MOONDUST</b>	Moondust
<input type="checkbox"/> <b>OAT</b>	Oat
<b>Bowl Color - Terreon Countertop Only (select one)</b>	
<input type="checkbox"/> <b>SAME</b>	Same as Deck
<input type="checkbox"/> <b>ALP-WHT</b>	Alpine White
<input type="checkbox"/> <b>BONE</b>	Mesa Bone
<input type="checkbox"/> <b>DS-WHT</b>	Designer White
<input type="checkbox"/> <b>LONDON</b>	London Gray
<input type="checkbox"/> <b>O-TAUPE</b>	Organic Taupe

<b>Backsplash Type (select one)</b>	
<input type="checkbox"/> <b>BSO</b>	One Wall - Back Side Only (standard)
<input type="checkbox"/> <b>BSRS</b>	Two Walls - Back and Right Side
<input type="checkbox"/> <b>BSLS</b>	Two Walls - Back and Left Side
<input type="checkbox"/> <b>BSBS</b>	Three Walls - Back, Right & Left Sides from Alcove
<b>Faucet Type* (select one)</b>	
<input type="checkbox"/> <b>WB</b>	Gooseneck Faucet with wristblade handles
<input type="checkbox"/> <b>IR-AC</b>	Infrared Gooseneck Faucet
<input type="checkbox"/> <b>IR-DC</b>	Infrared Gooseneck Faucet, Battery-Operated
<input type="checkbox"/> <b>SHANK</b>	Centershank Drilling
<input type="checkbox"/> <b>4"SET</b>	4" Centerset Drilling
<input type="checkbox"/> <b>NFD</b>	No Faucet/Drilling
	
<b>Water Supply Type (select one)</b>	
<input type="checkbox"/> <b>TMA</b>	TMA Navigator® Thermostatic Mixing Valve §
<input type="checkbox"/> <b>NONE</b>	No Mixing Valve
<b>Bedpan Washer Type (select one)</b>	
<input type="checkbox"/> <b>BWVC</b>	Bedpan Washer w/ Volume Control Valve
<input type="checkbox"/> <b>SB</b>	Storage Box
<b>Backflow Preventer Type (must select one with Bedpan Washer Type BWVC)</b>	
<input type="checkbox"/> <b>S86-121L</b>	Backflow preventer - Left Side Water Closet. Required w/ Bedpan Washer selections. Must order as separate line item and can be shipped in advance.
<input type="checkbox"/> <b>S86-121R</b>	Backflow Preventer - Right Side Water Closet. Required w/ Bedpan Washer selections. Must order as separate line item and can be shipped in advance.
<b>Dialysis Box Type (select one)</b>	
<input type="checkbox"/> <b>DB1</b>	Single Valve Dialysis Box
<input type="checkbox"/> <b>DB2</b>	Dual Valve Dialysis Box
<input type="checkbox"/> <b>SB</b>	Storage Box
<b>Grab Bar Type (select one)</b>	
<input type="checkbox"/> <b>SDGB</b>	Swing Down 30" Long
<input type="checkbox"/> <b>WGB</b>	Wall Mount 42" Long
<input type="checkbox"/> <b>NONE</b>	No Grab Bar

- All Patient Care Units are non-cancelable and non-returnable because they are made to exact specifications for each order.
- Once you have determined your configuration, please contact your Bradley Representative for rough-in information.
- Bradley Corporation reserves the right to make changes in design and material without formal notice, and without incurring obligation.

\* Faucets and drillings available only when countertop has been selected.  
 § Required and only available with faucet type IR-AC and IR-DC.  
 † This color contains large, randomly distributed chips.

Verify all rough-in dimensions prior to installation.

Consult local and national codes. Conformity and compliance to local and national codes is the responsibility of the installer.