

BradPack® Wash Center Model 1141

- Factory Assembled
- Projects into Room Only 11-3/4"
- Recesses in 4" Wall Construction
- Convenient Foot Control
- Concealed Plumbing

Specifications

Materials

Wash Center is fabricated of type 304 (18-8) stainless steel with exposed surfaces in architectural satin finish. Trim is brass with heavy polished chrome plating.

Construction

Flange

22 gauge stainless steel with one-piece seamless construction, 1" wide with 1/4" return.

Cabinet

Heavy-gauge stainless steel, all spot welded construction.

Towel Dispenser

22 gauge stainless steel with rolled edge on dispenser opening. Holds 800 multi-fold or 500 C-fold paper towels.

Bowl

18 gauge stainless steel. Oval design, 13-5/8"L x 10-1/8"W x 5"D.

Trim

Gooseneck spout with aerated nozzle projects 5" above bowl. (Optional non-aerated spout available.) Free running 1-1/2" bath ell with stainless steel strainer. Trap and stops complying with local codes to be supplied by plumbing contractor.

Pedestal

22 gauge stainless steel. Center panel removed for access to plumbing and operating mechanism. All panels are replaceable.

Foot Pedestal

16 gauge stainless steel welded to two support brackets. Adjusts up to 1/2" for variations in finished floor. Foot pedal actuates flow of water and controls volume. Spring-actuated mechanism operates self-closing mixing valve. Pedal swings up, out of the way for cleaning. Water temperature is controlled by lever on shelf above bowl, hot and cold settings indicated. Bradley Bradtrol mixing valve operating parts are replaceable as a cartridge unit.

Installation

Requires rough wall opening 15-1/2"W x 54-1/2"H x 4"D. Top of opening is 61-1/4" above finished floor. (Detailed installation instructions included with each shipment.)

DISCONTINUED



Document No. 6140

This information is subject to change without formal notice.
0197RSPML (3 Pages Total)

Bradley 

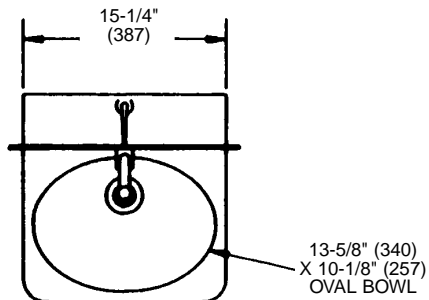
P.O. Box 309, Menomonee Falls, WI 53052-0309
Phone 1-800-BRADLEY FAX 262-251-5817
<http://www.bradleycorp.com>
Technical Information Fax Service: 1-800-BRADFAX

BradPack® Wash Center

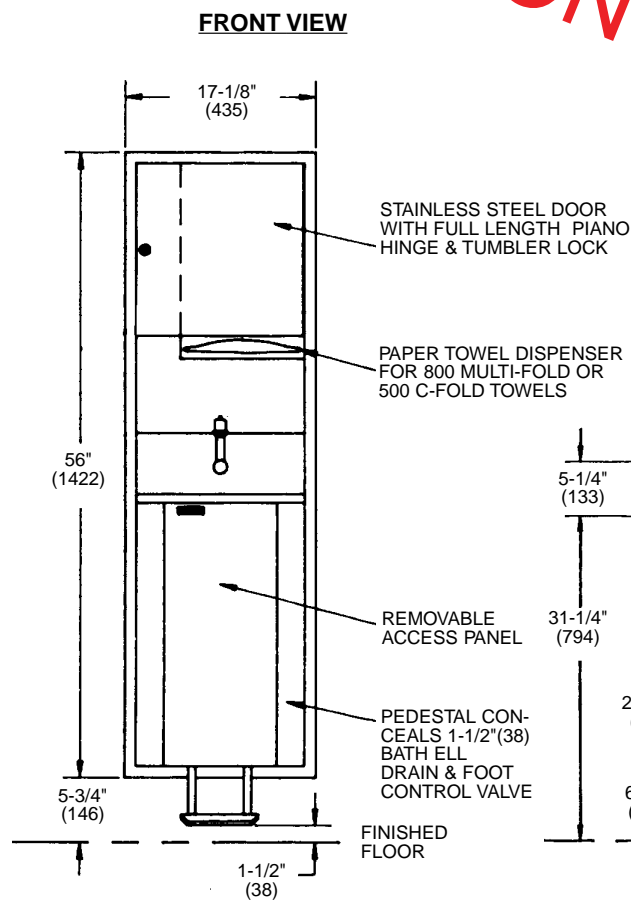
Model 1141

PLUMBING FIXTURES TECHNICAL DATA

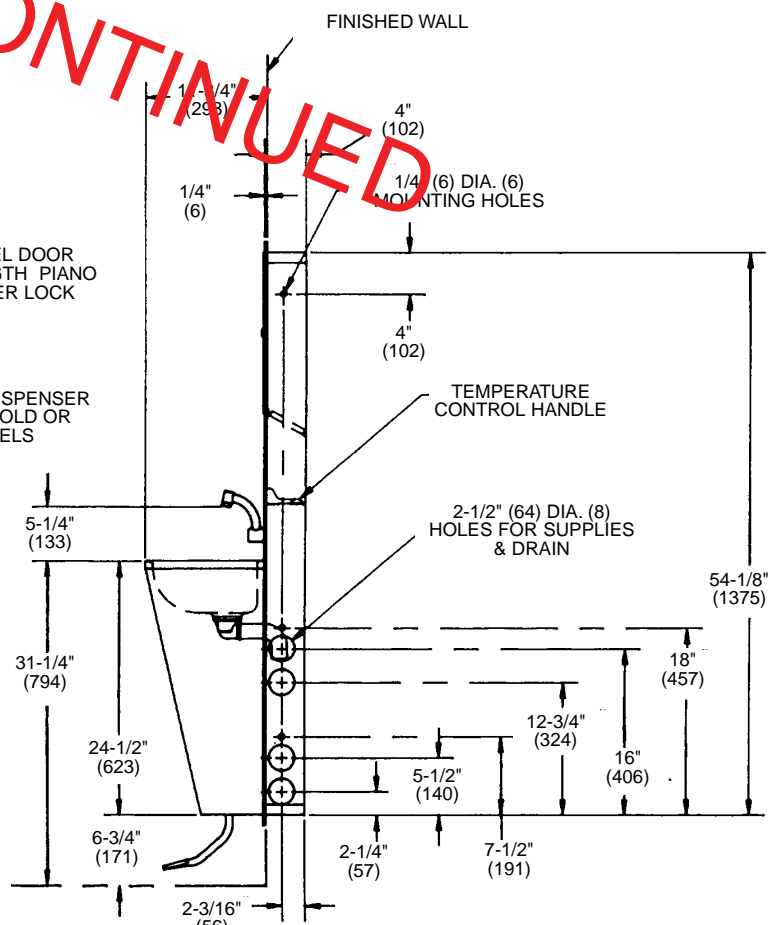
Dimensions in parentheses are millimeters.



TOP VIEW



FRONT VIEW



SIDE VIEW

- NOTE:** 1. Trap, stops and supplies complying with local codes to be furnished by contractor.
2. Detailed installation instructions are available on request.

BradPack® Wash Center

Model 1141

MODEL	
Model	Description
<input type="checkbox"/> 1141	BradPack Wash Center

OPTIONAL SELECTIONS	
Controls:	
<input type="checkbox"/> 8	Pop-up drain and overflow assembly
Soap Dispenser:	
<input type="checkbox"/> 5	Deck-mounted liquid soap dispenser, 40 oz.
Installation:	
<input type="checkbox"/> A	Surface-mounting collar (4"), factory installed
<input type="checkbox"/> B	Semi-recessed collar for 2" recess, factory installed
<input type="checkbox"/> N	In-wall mounting frame
Miscellaneous:	
<input type="checkbox"/> E	Built-in waste receptacle

Sample Specification

Preassembled wash center with foot-pedal operation shall be Bradley BradPack Model 1141. UL listed wash center shall be one-piece unit designed for recessed installation. Unit shall be factory assembled, tested for proper operation and ready for connection to plumbing services. Unit shall include the following standard equipment:

- foot-controlled lavatory with self-closing Bradtrol mixing valve
- medicine cabinet
- towel dispenser.

Unit shall be fabricated of type 304 (18-8), 22 gauge stainless steel and 18 gauge bowl with exposed surfaces in architectural satin finish. Overall dimensions: 17-1/8"W x 56"H with an 11-3/4" projection from finished wall surface. Trap and stops complying with local codes to be furnished by plumbing contractor

DISCONTINUED