

- Designed for economical water consumption
- Large 2" diameter welded stainless steel P-trap
- Flushing rim washes all four walls
- All units factory tested for proper operation

Specifications

Materials

All cabinet materials, including interior piping are Type 304 stainless steel. The fixture is made from heavy gauge stainless steel with seamless welded surfaces.

Construction

All welded construction with welds ground smooth to eliminate all accessible seams and voids. Urinal has washout type action. Flushing connection is 3/4" NPS male and requires a minimum of 30 PSI for flushing. P-trap is stainless steel, has a 4" seal, and will pass a 1.9" ball. P-trap is welded to the urinal and has an O-ring adapter with 2" NCT connection. Urinal features a continuous flushing rim which washes all four walls. P-trap is fully enclosed and there are no accessible seams, voids, or crevices where contraband can be concealed. Urinal assembly meets ANSI/ASME A112.19.2.

Flush Valve

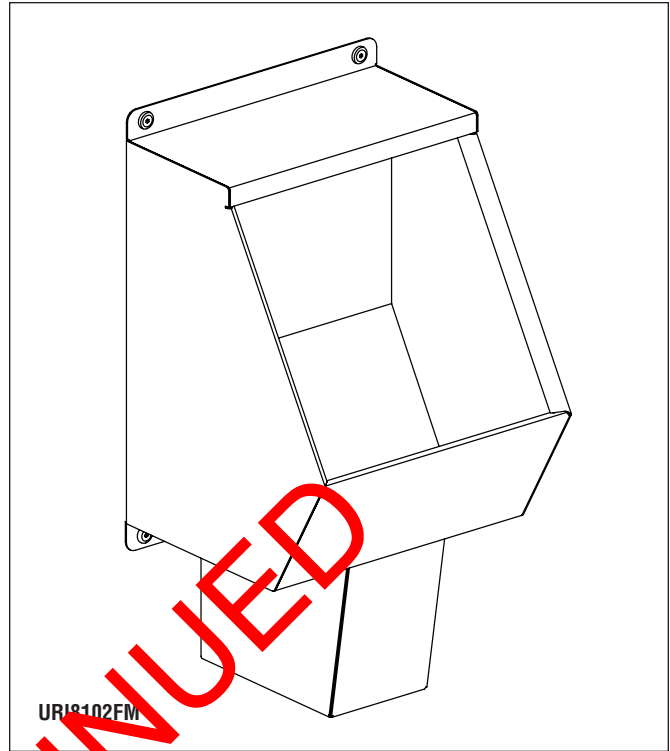
Flush valve is not included as standard equipment with the unit. Flush valve included when specified. Flush valve rated at 1.5 to 1.6 gallons per flush.

Finish

All exposed stainless steel surfaces have a bead blast finish (optional #4 satin polished finish).

Wall Anchoring

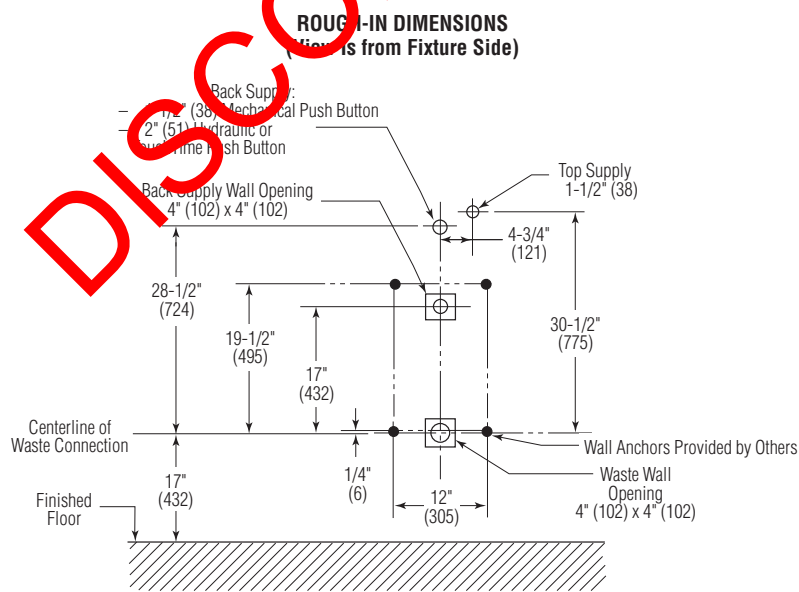
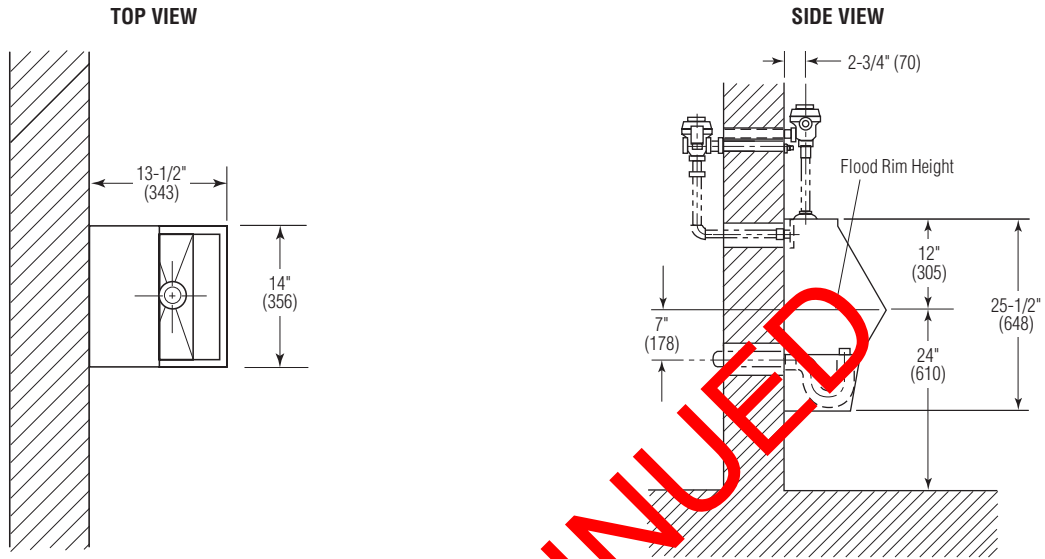
Fixture has four anchoring holes, and is furnished with 1/4-20 x 2" vandal-resistant screws and decorative countersunk washers. Suitable wall anchors furnished by others.



Model	Description
<input type="checkbox"/> URI8102FM	Front-Mounted Stainless Steel Washout Urinal
Required Selections (Must select one from each category)	
Supply (select one):	
<input type="checkbox"/> BACK	Back Supply
<input type="checkbox"/> TOP	Top Supply
Finish (select one):	
<input type="checkbox"/> BB	Bead Blast (Standard)
<input type="checkbox"/> PS	Polished Stainless Steel
Flush Valve (select one):	
<input type="checkbox"/> LCCPFV	Low Consumption Chrome Plated Mechanical Flush Valve
<input type="checkbox"/> LCMFV	Low Consumption Mechanical Flush Valve
<input type="checkbox"/> LCHFC	Low Consumption Hydraulic Flush Valve
<input type="checkbox"/> LCTTFC*	Low Consumption Touchtime® Electronic Flush Valve
<input type="checkbox"/> NFV	No Flush Valve

*Touchtime® requires use of transformer (24VAC) available from Bradley. (See separate Technical Info)

DISCONTINUED



DISCONTINUED