



SXWS9551 Chase-Mounted SX Panel Shower

- 14 gauge panel construction
- Standard recessed soap dish
- All units factory tested for proper operation

Specifications

Material

All cabinet materials, including interior piping are Type 304 stainless steel. The fixture is made from heavy gauge stainless steel with seamless welded surfaces.

Construction

Panel

Shower panel has beveled edges for tight wall fit. Recessed soap dish, showerhead, and push button are secured from back of panel for vandal-resistant installation. Stainless steel anchor nuts are welded to back of panel and soap dish to accept 1/4"-20 studs which are rear mounted at top, center, and bottom of panel.

Valving

Unit features a choice of valves for tempered and cold water application. Both valving types are chase located. They are:

- Air pushbutton with 5 to 60 second timing cycle adjustable from chase side only.
- TouchTime® pushbutton and piezo switch are factory set at 60 second timing.

Showerhead

Bradley "SX15" severe service 1.5 GPM (5.7 LPM) showerhead has a fixed direction spray. Spray pattern is adjustable through orifice with 1/8" Allen wrench.

Finish

All exposed stainless steel surfaces have a #4 polished satin finish. Brass showerhead and push buttons are triple chrome plated.

Wall Anchoring

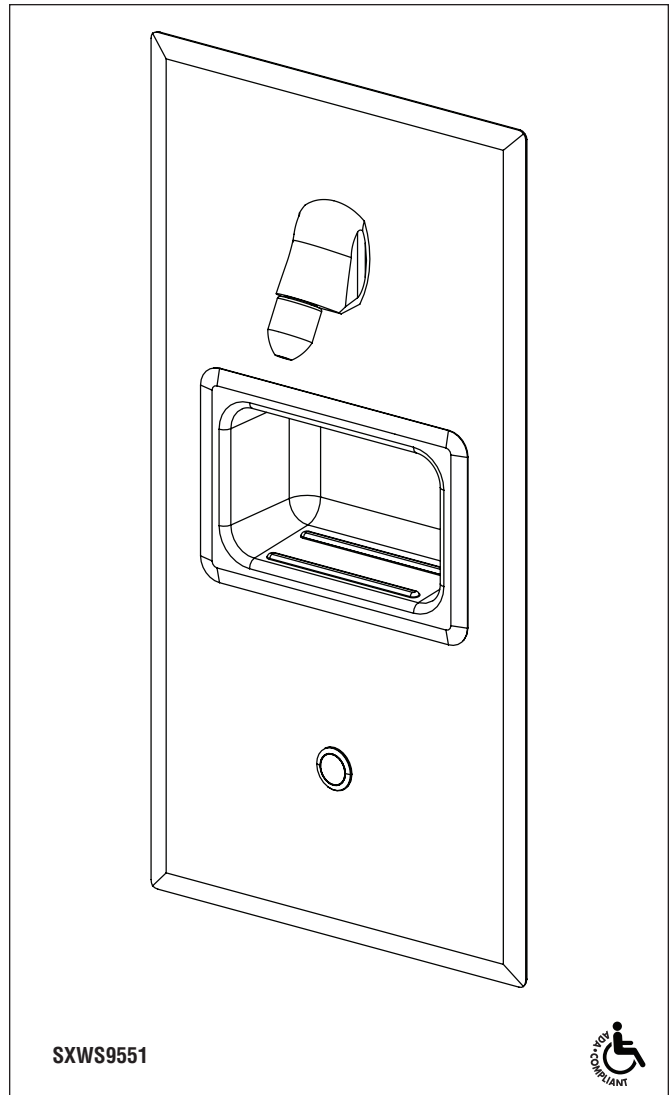
No exposed mounting fasteners in cell area. Fixture is completely secured from pipe chase side with rust-resistant mounting hardware for walls up to 12" thick.



Fixture requires wall openings and accessible chase for installation and maintenance. Some field assembly may be required.

Standard Equipment

Unitized stainless steel shower panel with "SX15" showerhead, recessed soap dish, choice of valves, and rust-resistant hardware for walls up to 12" thick.



SXWS9551



Model

SXWS9551 Chase Mounted SX Panel Shower

Standard Selections

Valve Type (select one):

- ASTM** Air Pushbutton
- TTPA** TouchTime Pushbutton*
- TTPB** TouchTime Piezo Switch*

* TTPA and TTBA valves require a low-voltage UL/CSA listed 120VAC/12VDC plug-in adapter.



SXWS9551 Chase-Mounted SX Panel Shower

Model SXWS9551

(mm)

