



SXWS9557FM Front-Mounted SX Panel Shower

- 14 gauge panel construction
- Standard recessed soap dish
- All units factory tested for proper operation

Specifications

Material

All cabinet materials, including interior piping are Type 304 stainless steel. The fixture is made from heavy gauge stainless steel with seamless welded surfaces.

Construction

Panel

Recessed soap dish, showerhead, and push buttons are secured from back of panel for vandal-resistant installation. Vandal-resistant stainless steel screws are used to anchor panel to wall frame at six points.

Valving

Unit features a choice of valves for a tempered water application. Valves are accessible from the front for maintenance.

- Single-temperature air pushbutton with 5 to 60 second timing cycle adjustable from chase side only.
- TouchTime pushbutton and piezo switch are factory set at 60 second timing.

Showerhead

Bradley "SX15" severe service 1.5 GPM (5.7 LPM) showerhead has a fixed direction spray. Spray pattern is adjustable through orifice with 1/8" Allen wrench.

Finish

All exposed stainless steel surfaces have a #4 polished satin finish. Brass showerhead and push buttons are triple chrome plated.

Wall Anchoring

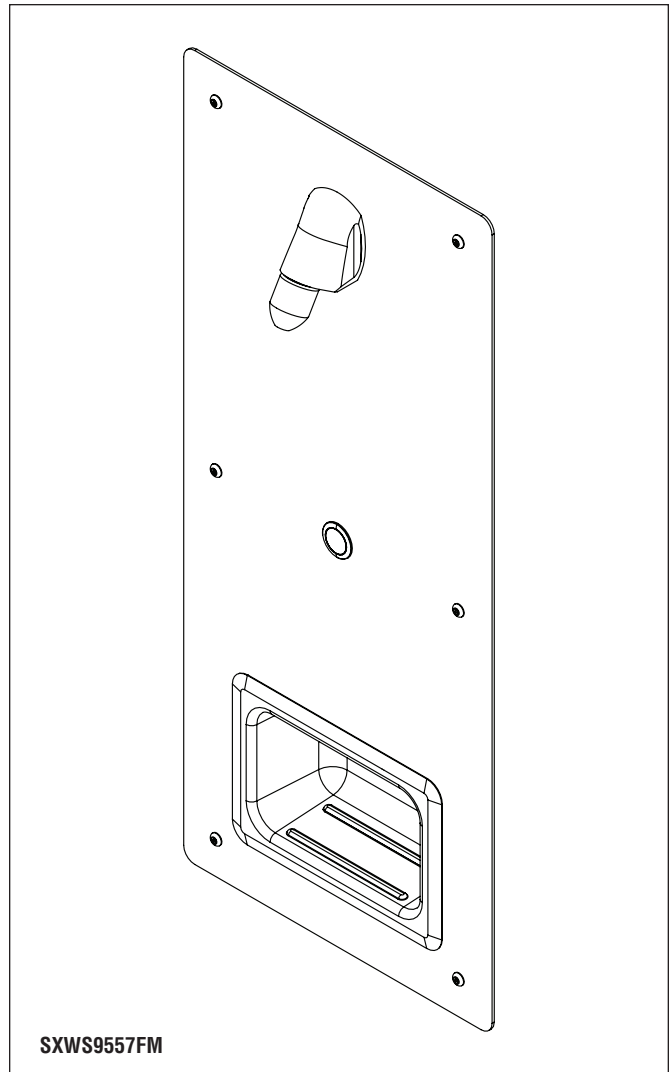
Mounting frame has pre-drilled holes to assist in locating wall anchors. Suitable wall anchors and screws to be furnished by contractor. Access panels are attached to showers with vandal and rust resistant screws.



Fixture requires wall cut out for installation and maintenance. Some field assembly is required.

Standard Equipment

Unitized stainless steel shower panel with "SX15" showerhead, recessed soap dish, choice of valves, and rust-resistant hardware for walls up to 12" thick.



SXWS9557FM

Model

- SXWS9557FM Front-Mounted SX Shower Panel

Standard Selections

Valve Type (select one):

- ASTM Air Pushbutton
- TTPA TouchTime Pushbutton*
- TTPB TouchTime Piezo Switch*

* TTPA and TTBA valves require a low-voltage UL/CSA listed 120VAC/12VDC plug-in adapter.



SXWS9557FM Front-Mounted SX Panel Shower

Model SXWS9557FM

(mm)

