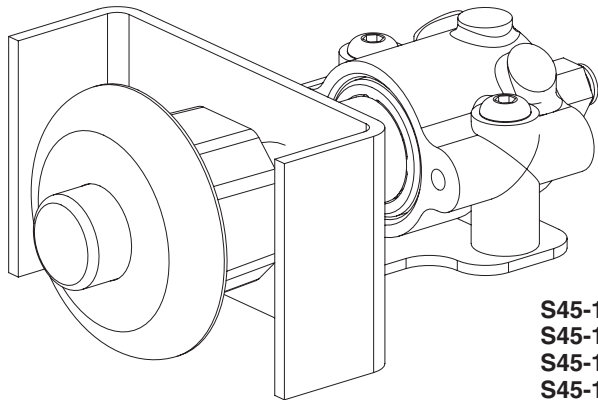


Installation



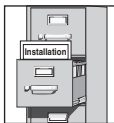
Standard push button shown

ASTM, ADTM, ASTS, ADTS Piston-Operated Security Push Button

S45-1926	Piston Assembly
S45-1927A	For Existing Escutcheon and Push Button
S45-1927B	Includes Escutcheon and Hot Push Button
S45-1927C	Includes Escutcheon and Cold Push Button
S45-1927D	Includes Escutcheon and Blank Push Button
S45-1927E	Includes Escutcheon and Ligature Resistant Push Button



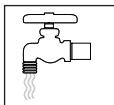
IMPORTANT!



Read this entire installation manual to ensure proper installation. When finished with the installation, file this manual with the owner or maintenance department. Compliance and conformity to local codes and ordinances is the responsibility of the installer.



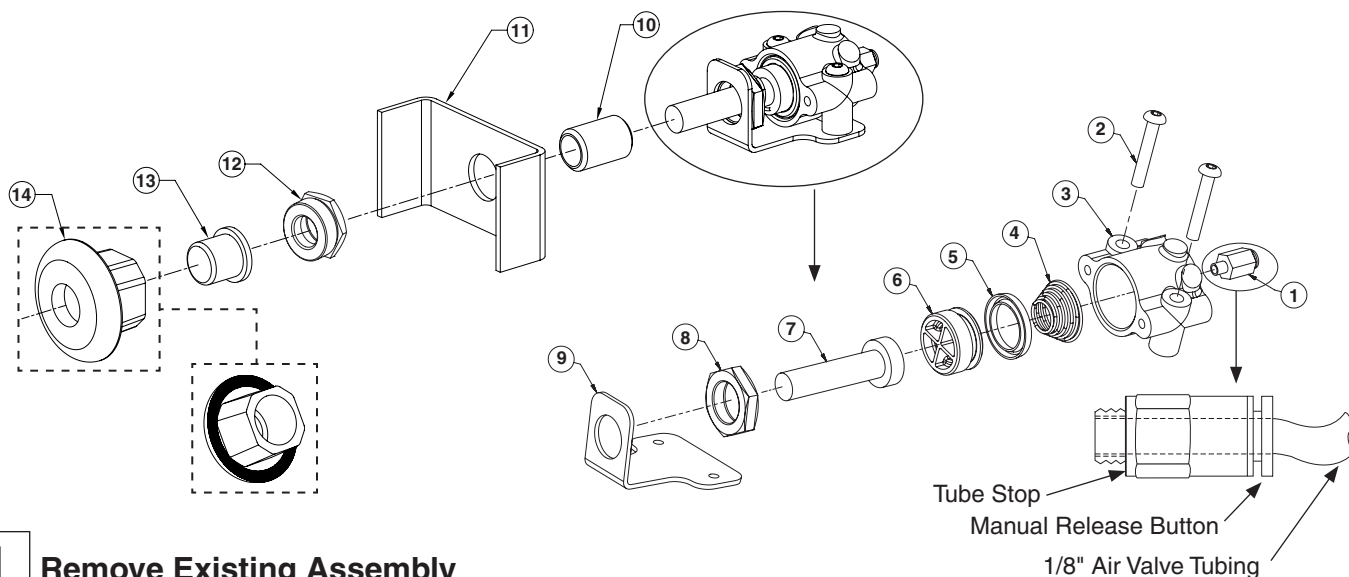
Separate parts from packaging and make sure all parts are accounted for before discarding packaging material. If any parts are missing, do not begin installation until you obtain the missing parts.



Make sure that all water supply lines have been flushed and then completely turned off before beginning installation. Debris in supply lines can cause valves to malfunction.



Product warranties may be found under "Products" on our web site at bradleycorp.com.



1 Remove Existing Assembly

1. Remove the air tube from the back of the existing assembly (Item 1) by depressing the manual release button.
2. Loosen and unthread the brass nut (Item 8) from the push rod guide (Item 10); the whole assembly will come apart.
3. Determine if the existing escutcheon (Item 14) and push button (Item 13) are useable or if new parts from the appropriate kit will be used.

2 Install New Assembly

1. Apply 100% silicone caulk to escutcheon (item 14) backside prior to installation to ensure a water tight seal. Wipe excess caulk from front side of escutcheon and panel.
2. Insert the new push button (Item 13) into the escutcheon (Item 14).
3. Thread the bushing (Item 12) into the escutcheon. Tighten to secure the parts.
4. Thread the push rod guide (Item 10) into the bushing (Item 12).
5. Tighten to secure the parts, taking care not to damage the threads on the push rod guide.
6. Insert the assembled escutcheon, push button, and push rod guide into the hole in the existing mounting plate.
7. Place the mounting bracket (Item 11) over the protruding escutcheon assembly.
8. Place the push rod cap (Item 7) (from the piston assembly) into the push rod guide (Item 10).
9. Thread the brass nut (Item 8) onto the push rod guide (Item 10).
10. Align the parts per the illustration and tighten the brass nut to complete the assembly.
11. Insert the air hose removed in Step 1 into the tube connector (Item 1).

Parts List

Item	Qty.	Part No.	Description
1	1	169-890	Tube Connector #10-32 x 1/8"
2	2	160-165	B hd Socket Screw
3	1	118-279	Molded Actuator Body
4	1	135-065	Spring
5	1	125-099	U-Cup
6	1	119-227	Molded Piston
7	1	136-026	Pushrod Cap
8	1	110-057	Brass Nut 3/8" NPT
9	3	140-897	Actuator Bracket
10	1	179-094	Pushrod Guide
11	1	140-676	Mounting Bracket
12	1	153-348	Bushing
13	1	128-062	Hot Push Button
13	1	128-063	Cold Push Button
13	1	128-144	Blank Push Button
13	1	128-185	Ligature Resistant Push Button
14	1	150-099	Escutcheon

S45-1926: Piston assembly contains items 1–9 and comes pre-assembled.

S45-1927A: Push Button assembly utilizes existing push button and escutcheon. Includes items 1–12.

The following Push Button assemblies include items 1–14:

- S45-1927B** (Hot Push Button only)
- S45-1927C** (Cold Push Button only)
- S45-1927D** (Blank Push Button only)
- S45-1927E** (Ligature Resistant Push Button only)