



S45-2033, S45-2128 Air Single Temperature Metering Valve

Model Number	Description
<input type="checkbox"/> S45-2033	Air Single Temperature Metering Valve with Flow Control
<input type="checkbox"/> S45-2128	Air Single Temperature Metering Valve without Flow Control

- Timing from 5 – 45 Seconds
- Reliable Metering Performance
- Individual Checks Between Each Valve
- Serviceable from Pipe Chase

Specifications

Materials

Valve bodies are of forged brass. Push buttons are stainless steel. Air tubing from push button to valve is plastic tubing. Escutcheons are chrome-plated brass.

Construction

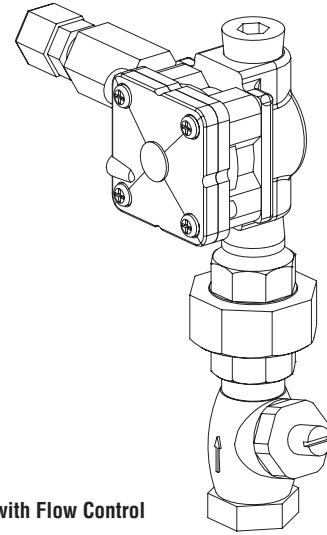
Push button escutcheons are keyed into backsplash to prevent rotation. Push buttons turn freely and cannot be removed from the front. No exposed fasteners. Valves are serviceable from pipe chase.

Standard Equipment

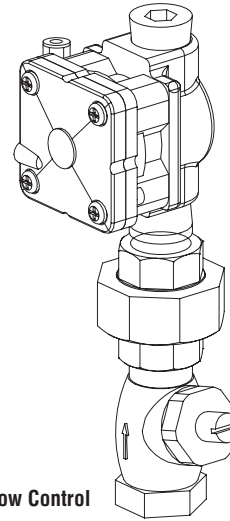
Bradley series pneumatically operated metering valve features a non-hold open push button. The pneumatic actuator and timing valve are independent of the water supply line. 0.4 GPM flow control is standard on valve. Timing from 5 – 45 seconds is possible. Each valve incorporates a check, strainer and stop as standard. Valving is easily serviced from the piping chase.



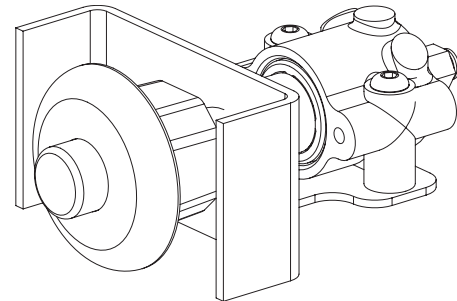
Push buttons and escutcheons for Bradley series valve manifolds are included. Filler/spout must be ordered separately.



S45-2033 with Flow Control



S45-2128 without Flow Control



**Piston-Operated Security Push Button
(Supplied with Both S45-2033, S45-2128)**