



# S45-2032A, S45-2127A Air Dual Temperature Self-Closing Valve

Model Number	Description
<input type="checkbox"/> S45-2032A	Air Dual Temperature Self-Closing Valve with Flow Control
<input type="checkbox"/> S45-2127A	Air Dual Temperature Self-Closing Valve without Flow Control

- Reliable Performance
- Individual Checks Between Each Valve
- Serviceable from Pipe Chase

## Specifications

### Materials

Valve bodies are of forged brass. Push buttons are stainless steel, indexed C or H. Air tubing from push button to valve is plastic tubing. Escutcheons are chrome-plated brass.

### Construction

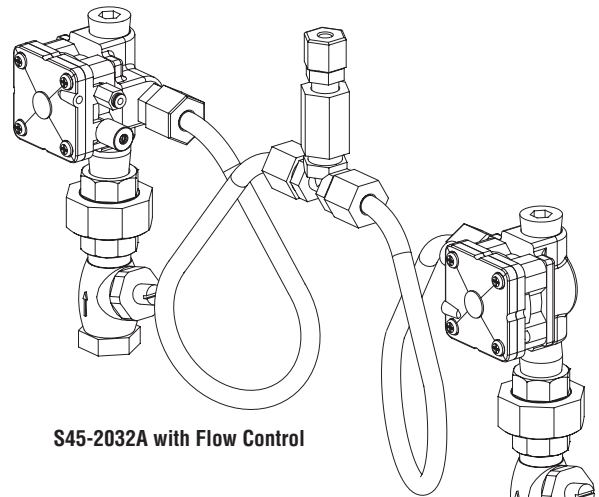
Push button escutcheons are keyed into backslash to prevent rotation. Push buttons turn freely and cannot be removed from the front. No exposed fasteners. Valves are serviceable from pipe chase.

### Standard Equipment

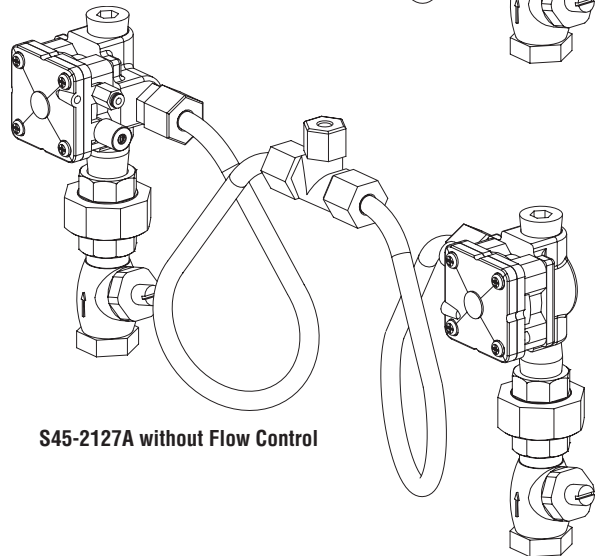
Bradley series pneumatically operated self-closing valve features a hold open push button. The pneumatic actuator is independent of the water supply line. 0.4 GPM flow control is standard on valve. Each valve incorporates a check, strainer and stop as standard. Valving is easily serviced from the piping chase.



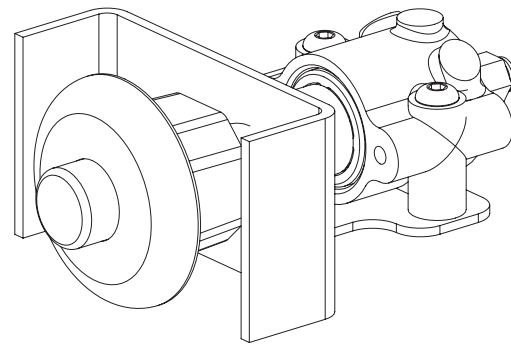
*Push buttons and escutcheons for Bradley series valve manifolds are included. Filler/spout must be ordered separately.*



**S45-2032A with Flow Control**



**S45-2127A without Flow Control**



**Piston-Operated Security Push Button  
(Supplied with Both S45-2032A, S45-2127A)**