



S95-447, S91-060 Mechanical Floodbuster

- Vacuum Operated – No External Power Source
- Reliable Performance
- Vandal Resistant
- Serviceable from Pipe Chase

Specifications

Operation

The Bradley mechanical floodbuster, an anti-flood flush disabler, is designed to prevent overflows in water closets. When an overflow condition exists, a water level sensor located in the bowl triggers the floodbuster valve to close, shutting off water to the flush valve before overflowing the water closet.

Energy Efficient

Floodbuster is a pneumatic system that operates from the energy of flushing water and requires no external electrical power or auxiliary electrical installation.



When choosing floodbuster option, a minimum of 35 PSI flowing into floodbuster valve is required.

Vandal-Resistant

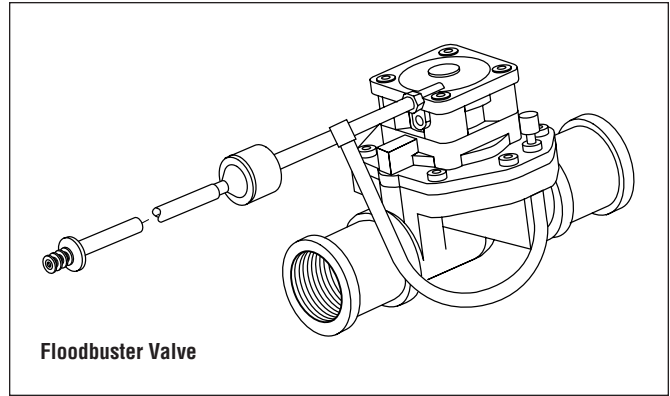
The sensor mechanism is located in the flushing rim, and the remaining components are concealed to prevent tampering with the system.

Easily Serviced

If necessary, floodbuster can be serviced conveniently through the chase. After the overflow condition is corrected, the water can be turned on again to the flush valve by simply pressing the push button actuator on the floodbuster valve for a minimum of two seconds.

Material

Valve bodies are plastic. Threaded couplings are cast brass. Tubing and connectors are plastic.



Model Number	Description
<input type="checkbox"/> S95-447	For Combination Unit
<input type="checkbox"/> S91-060	For Water Closet