



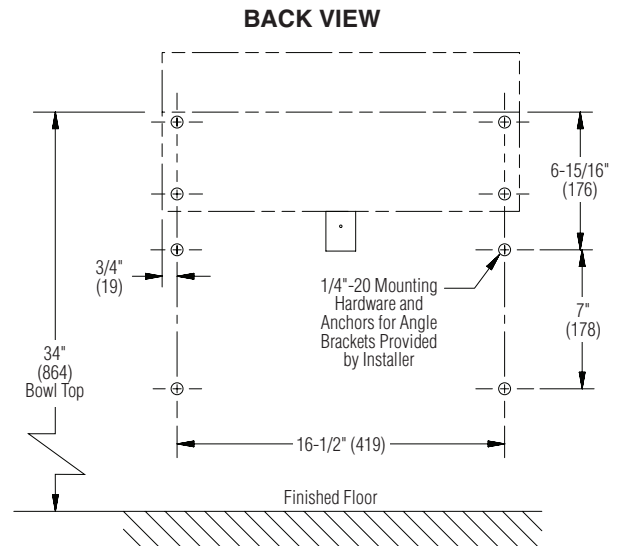
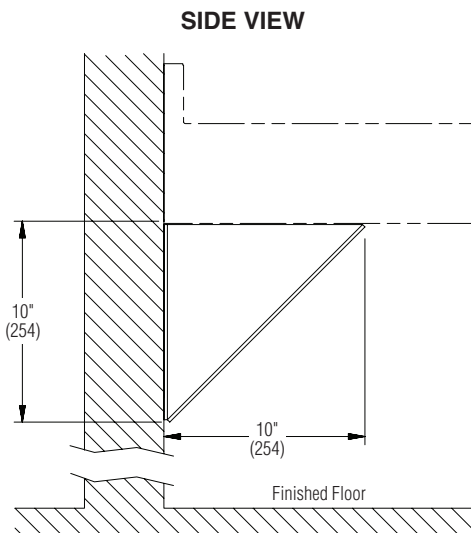
S91-024, S91-024A Angle Bracket

(mm)

Model Number	Description
<input type="checkbox"/> S91-024	Angle Braces – Polished Stainless Steel
<input type="checkbox"/> S91-024A	Angle Braces – Bead Blast

Specifications

Angle braces offer additional support for front-mounted, wall-hung lavatories. Braces are constructed of heavy gauge Type 304 stainless steel in either bead blast (S91-024A) or polished stainless steel (S91-024).



INSTALLATION

