



S91-055, S91-055A Bottom Cover Assembly

Specifications

To optimize vandal resistance on front mount units, the bottom cover assembly encloses waste piping below unit and provides a finished appearance. Bottom cover assembly is constructed of heavy gauge Type 304 stainless steel in either bead blast (S91-055A) or polished stainless steel (S91-055).

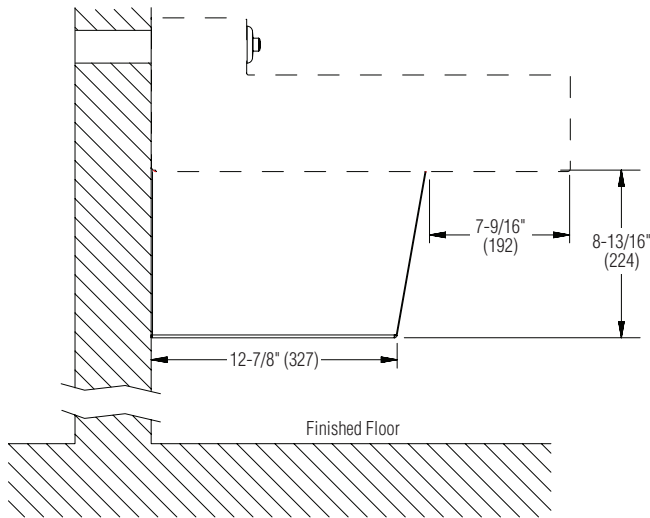


Bradley compatible models 6500FM and 6577FM.

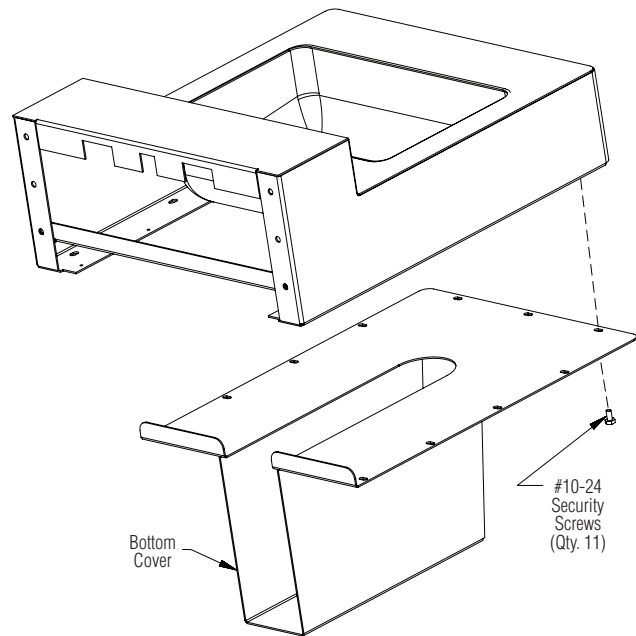
Model Number	Description
<input type="checkbox"/> S91-055	Bottom Cover Assembly – Polished Stainless Steel
<input type="checkbox"/> S91-055A	Bottom Cover Assembly – Bead Blast

(mm)

SIDE VIEW



INSTALLATION



BACK VIEW

