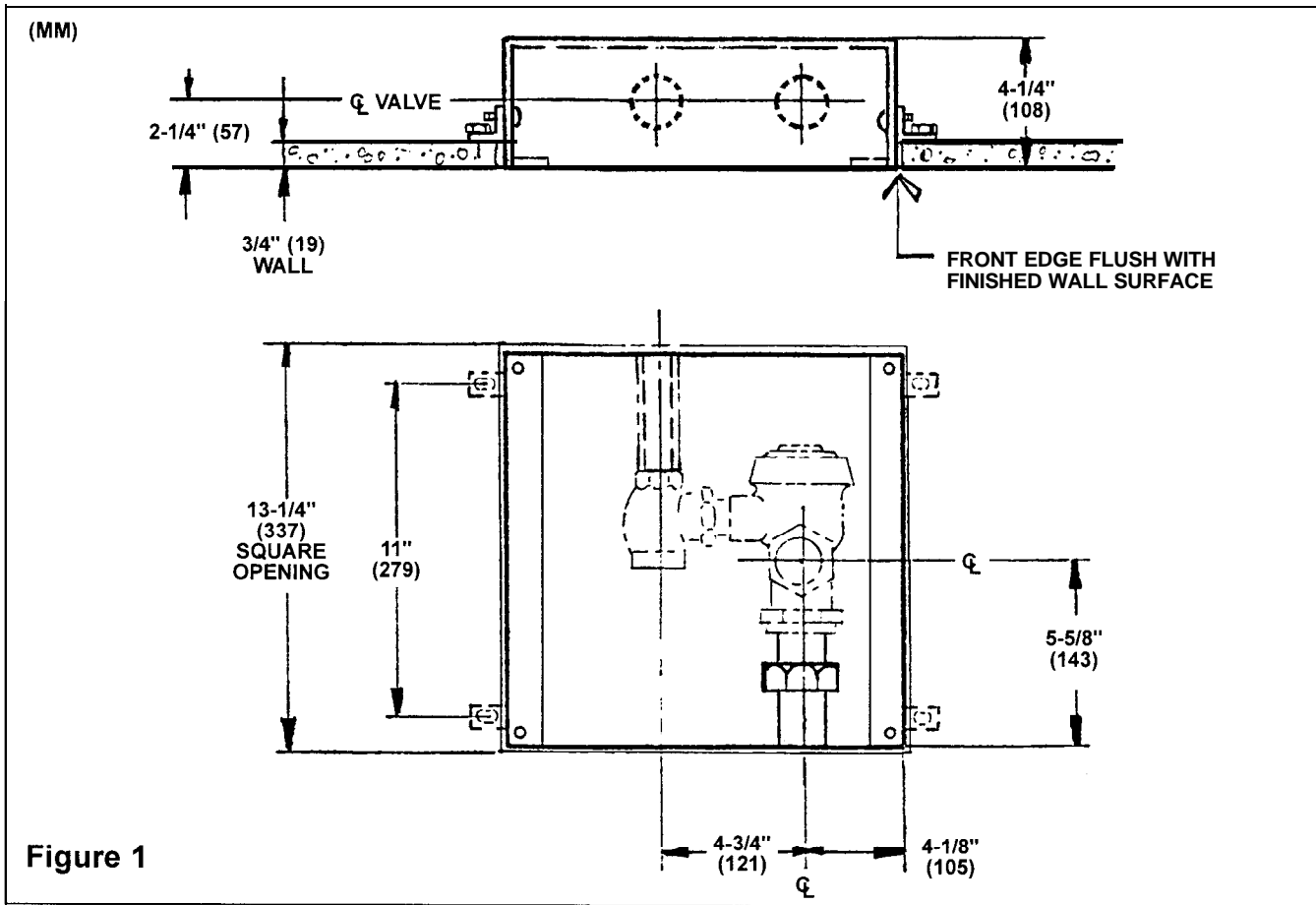


# Installation Instructions



## Step 1: Install enclosure into wall opening

*NOTE: The distance from the flush valve to the fixture should be kept to a minimum.*

1. Rough in 13-1/4" (337mm) square opening in wall for enclosure box relative to center line of flush valve pushbutton (Figure 1 on page 1, and Figure 2 on page 2).
2. Place enclosure box into wall opening

## Step 2: Secure box to wall

*NOTE: The mounting tabs can be eliminated and the box can be secured through side wall holes directly to the wood framework.*

1. Attach the four mounting tabs provided to the side of box with the vandal-resistant screws supplied by Bradley.
2. Secure the four tabs to the wall (fasteners supplied by installer).

## Step 3: Connect water supply

1. Connect water supply piping to the 1" NPT flush valve supply inlet.



P.O. Box 309, Menomonee Falls, WI USA 53052-0309  
PHONE (414) 251-6000 FAX (414) 251-5817  
<http://www.bradleycorp.com>

REMOTE LOCATION FLUSH VALVE

215- 388

Rev B; EN 96-738

PAGE 1 of 2

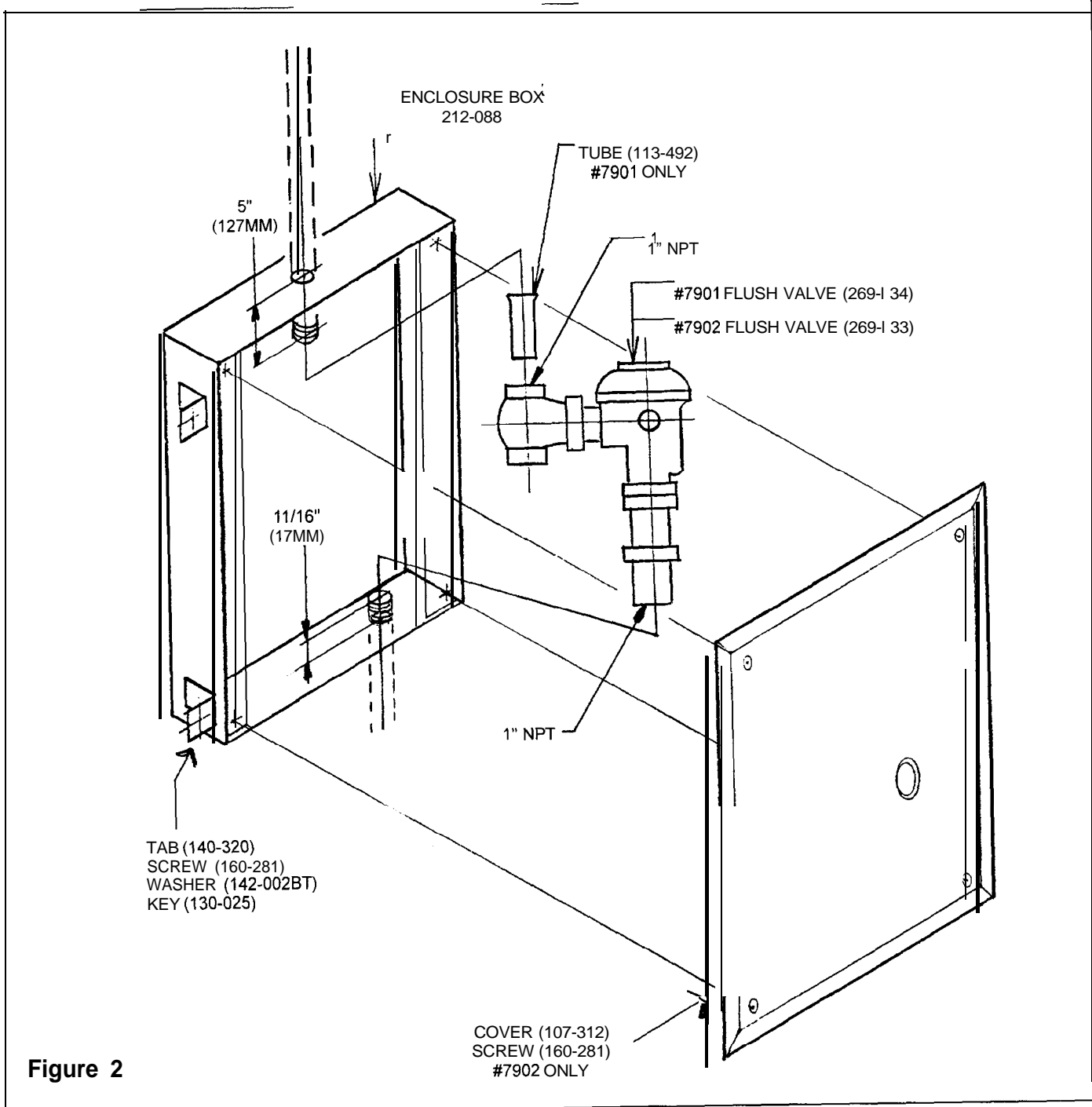


Figure 2