



Specifications

Designed to supply cold water to interior or exterior walls not subject to freezing.

Materials

Box is constructed of heavy gauge Type 304 stainless steel. Stop and valve body are cast brass.

Construction

All seams are heliarc welded and ground smooth. Wall flange is attached to frame. Supply inlet is 1/2" nominal copper female.

Finish

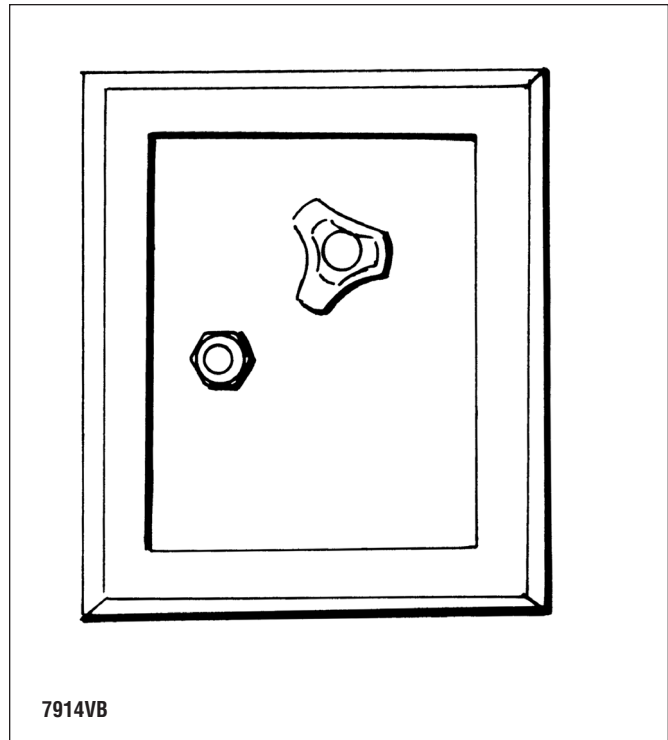
All exposed stainless steel surfaces are polished to a #4 satin finish. Exposed valve parts are chrome-plated.

Wall Anchoring

Box is furnished with four stainless steel clips which provide a secure means for anchoring to the wall construction.

Standard Equipment

Recessed hose box with cold screwdriver stop, valve, and 3/4" hose connection and vacuum breaker.



| Model Number | |
|--------------------------|--------------------------------|
| <input type="checkbox"/> | 7914VB Supply Box with Door |
| <input type="checkbox"/> | 7914VB Supply Box without Door |

Dimensions

(mm)

