



WS-2W, WS-3W Econo-Wall Showers

- Completely Preassembled Shower Unit
- Hydrostatically Tested to 150 PSI
- Ready for Connection to Plumbing Supplies

Specifications

Materials

Shower panel is type 304 stainless steel polished to a #4 finish. All other exposed parts are stainless steel or chrome-plated brass. Valve bodies are brass casting. Supply inlets are copper tubing.

Standard Equipment

Shower Panel

Shower panel with top and bottom covers constructed of 18 gauge stainless steel polished to a #4 finish. Stainless steel soap tray for each station mounted to panel.

Valve Type as Selected

For more information on each valve type, please enter the model number in the search box at www.bradleycorp.com.

Showerhead

Standard fixed direction adjustable spray showerhead for each station (S15).

Flow Control

A 1.5 GPM (5.7 LPM) flow control is standard. Actual flow may vary, but will not exceed 2.0 GPM (7.6 LPM) max.

Supply Inlets

Constructed of 3/4" type "L" copper tubing. Inlets are accessible through the back of the shower or through knockouts in the top cover.

Optional Privacy Compartments

Partitions

Fabricated of 20 gauge 300 series stainless steel sheets polished to a #4 finish. Sandwich type construction with waterproof cores securely bonded between sheets. Partitions are secured to posts with 14 gauge type 300 stainless steel stirrups and stainless steel screws.

Posts

Fabricated 18 gauge 1-1/4" square x 80" stainless steel tubing. Post is secured to floor with an expansion anchor and a concealed foot angle which allows plus or minus 1/2" vertical adjustment.

Curtains

Curtain rails fabricated of 300 series #4 finish stainless steel cylindrical tubing. Curtain hooks are steel wire with a zinc chromate finish. Curtains are 60" W x 74" H and fabricated of heavy gauge translucent vinyl with hemmed edges and aluminum grommet reinforced eyelets.

Hardware

All exposed fasteners are vandal-proof stainless steel. Post shoes are anodized aluminum and finished to match stainless steel.





WS-2W, WS-3W Econo-Wall Showers

Models (Must select one)	
Model Number	Description
<input type="checkbox"/> WS-2W	2-Station Econo-Wall Shower
<input type="checkbox"/> WS-3W	3-Station Econo-Wall Shower

Standard Selections (Must select one from each category)	
Showerhead Height (select one)	
<input type="checkbox"/> 6'-0" Standard Height	
<input type="checkbox"/> 5'-6" Juvenile Height	

Valve Type (select one)	
<i>Hot/Tempored and Cold Supplies</i>	
<input type="checkbox"/> EF	Equa-Flo Pressure Balancing Valve
<input type="checkbox"/> HD	Equa-Flo HD Pressure Balancing Valve
<input type="checkbox"/> TMV	Thermostatic Mixing Valve
<input type="checkbox"/> HC	Hot and Cold Compression Valve*

<i>Single Tempored/Cold Supply</i>	
<input type="checkbox"/> PM	Presto 50B Mechanical Metering Valve
<input type="checkbox"/> AST	Air Pushbutton
<input type="checkbox"/> SV	Single Compression Valve
<input type="checkbox"/> TTPA	TouchTime Pushbutton**
<input type="checkbox"/> TTPB	TouchTime Piezo Switch**

Showerhead Type	
<input type="checkbox"/> S15	Standard Showerhead (Flow Rate = 1.5 GPM/5.7 LPM)
<input type="checkbox"/> SX15	Severe Service Showerhead (Flow Rate = 1.5 GPM/5.7 LPM)
<input type="checkbox"/> S20	Standard Showerhead (Flow Rate = 2.0 GPM/7.6 LPM)
<input type="checkbox"/> SX20	Severe Service Showerhead (Flow Rate = 2.0 GPM/7.6 LPM)
<input type="checkbox"/> SF	Deluxe Showerhead w/ Ball Joint (Flow Rate = 1.5 GPM/5.7 LPM)
<input type="checkbox"/> ES	Economy Soft Flow w/ Ball Joint (Flow Rate = 2.0 GPM/7.6 LPM)
<input type="checkbox"/> J	Multi-Jet Showerhead w/ Ball Joint (Flow Rate = 1.5GPM/5.7 LPM)
<input type="checkbox"/> LX	Luxury Showerhead w/ Ball Joint (Flow Rate = 1.5GPM/5.7 LPM)
<input type="checkbox"/> B	Axis Showerhead w/ Ball Joint (Flow Rate = 1.5GPM/5.7 LPM)

* Non-cancelable, non-returnable

**TTPA and TTPB valves require a low-voltage UL/CSA listed 120VAC/12V DC plug-in adapter.

† Only available on S15 and S20 showerheads.

Verify all rough-in dimensions prior to installation.

Consult local and national codes: conformity and compliance to local and national codes is the responsibility of the installer.

2.5 GPM showerhead flow rate does not meet California Energy Commission 20 CCR T.20, Div. 2, 1601-1609.

Optional Selections	
Volume Control Type † (select one)	
<input type="checkbox"/> AKV	Allen Key Volume Control
<input type="checkbox"/> LHV	Lever Handle Volume Control
<input type="checkbox"/> NONE	No Volume Control
Ball Joint Type † (select one)	
<input type="checkbox"/> LBJ	Lockable Ball Joint
<input type="checkbox"/> NONE	No Ball Joint
Supply Stop Type (included w/ EF, HD and TMV valves) (select one)	
<input type="checkbox"/> ST	Stops in each Supply
<input type="checkbox"/> NONE	No Supply Stops
Soap Dish Type (select one)	
<input type="checkbox"/> SD	Wall-Mount Soap Dish
<input type="checkbox"/> RSD	Recessed Soap Dish
<input type="checkbox"/> NSD	No Soap Dish
Shroud Type (select one)	
<input type="checkbox"/> SHV	Vertical Shrouds (floor to ceiling height _____ ft. _____ in.)*
<input type="checkbox"/> SHH	Horizontal Shroud (per 3' section)*
<input type="checkbox"/> NONE	No Shroud
Multi-Stall Partition Type (select one)	
<input type="checkbox"/> MS	Multi-Station Partitions
<input type="checkbox"/> NONE	No Multi-Stall Partitions
Multi-Stall Curtain Type (select one)	
<input type="checkbox"/> CN	Standard Curtain
<input type="checkbox"/> HR	Herculite Curtain
<input type="checkbox"/> NONE	No Multi-Stall Curtains
Multi-Stall Roller Hook Type (select one)	
<input type="checkbox"/> RH	Roller Hooks
<input type="checkbox"/> NONE	No Multi-Stall Roller Hook
Multi-Stall Robe Hooke Type (select one)	
<input type="checkbox"/> BH	Robe Hooks
<input type="checkbox"/> NONE	No Multi-Stall Robe Hooks
Hardware Type (select one)	
<input type="checkbox"/> SC	Standard Screws
<input type="checkbox"/> VS	Vandal Resistant Screws



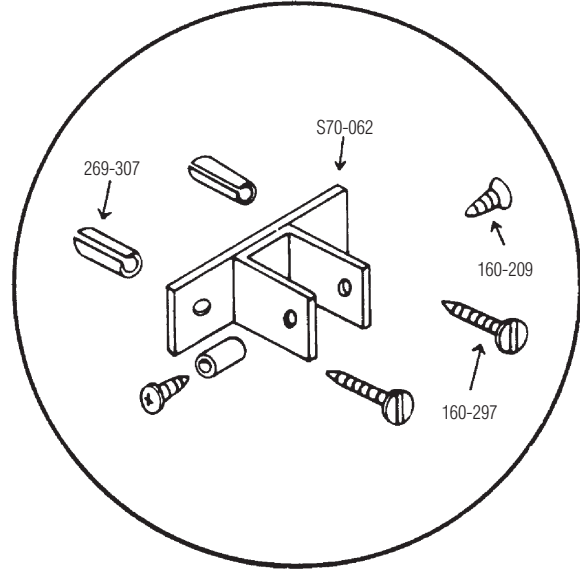
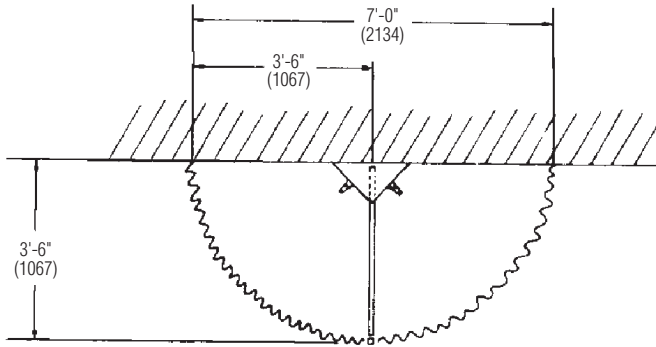
WS-2W, WS-3W Econo-Wall Showers

Dimensions – WS-2W and WS-3W with Multi-Stall Partitions

(mm)

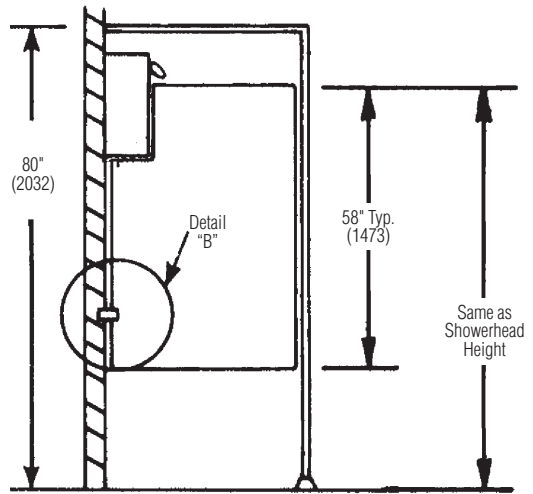
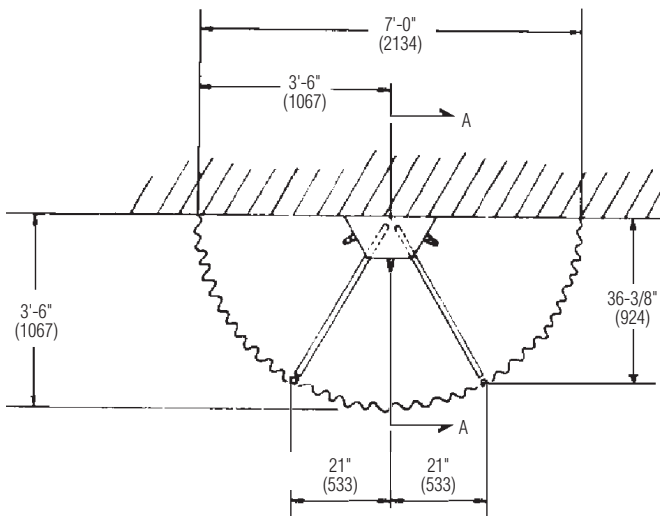
WS-2W

Detail B



WS-3W

Detail A-A



* Subtract 4" (102) from this dimension for juvenile height.

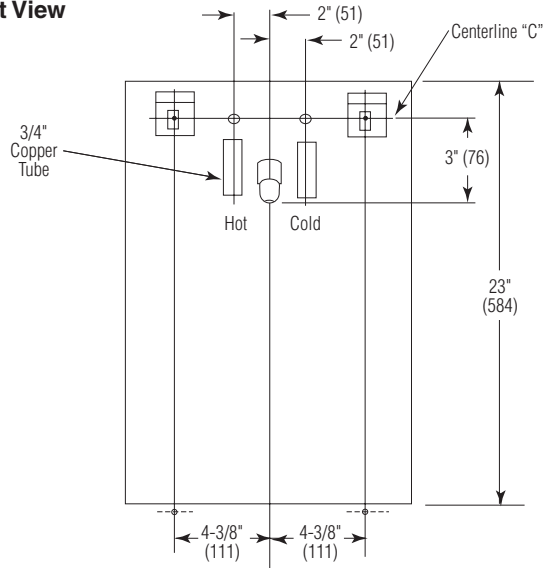


WS-2W, WS-3W Econo-Wall Showers

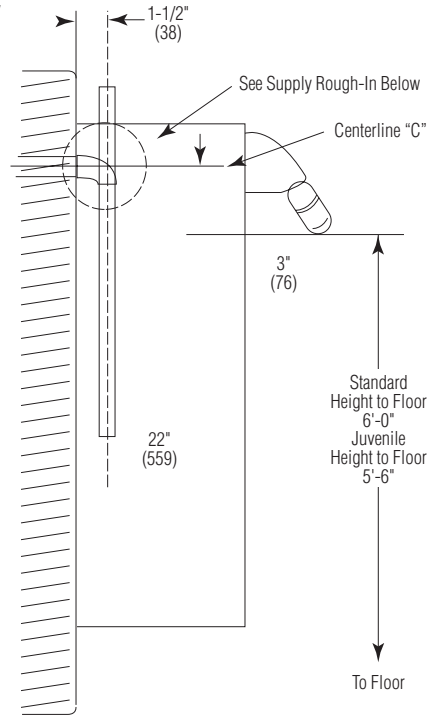
Rough-Ins

(mm)

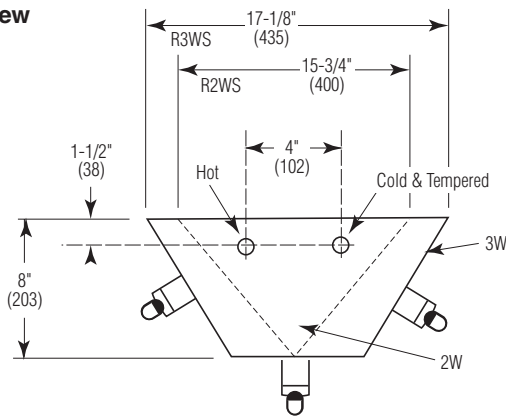
Front View



Side View



Top View



Bracket

