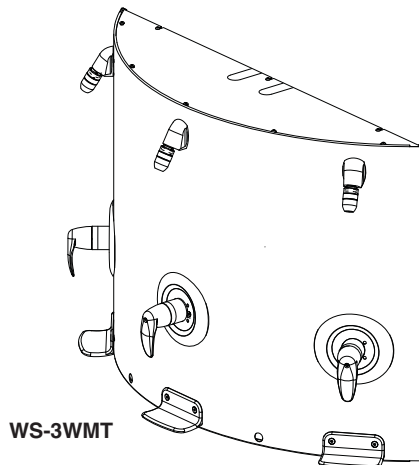
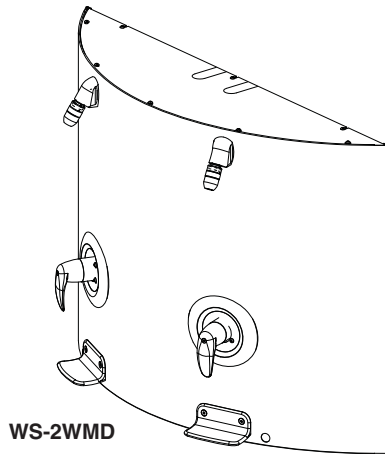


Installation

Wall-Saver Shower WS-2WMD, WS-3WMT



Supplies Required	2
Dimensions	2
Installation	3
Optional Vertical Shroud Installation.....	3
Optional Horizontal Shroud Installation	4
Cleaning Instructions	4



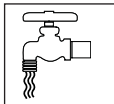
IMPORTANT!



Read this entire installation manual to ensure proper installation. When finished with the installation, file this manual with the owner or maintenance department. Compliance and conformity to local codes and ordinances is the responsibility of the installer.



Separate parts from packaging and make sure all parts are accounted for before discarding packaging material. If any parts are missing, do not begin installation until you obtain the missing parts.



Make sure that all water supply lines have been flushed and then completely turned off before beginning installation. Debris in supply lines can cause valves to malfunction.



Product warranties may be found under "Products" on our web site at bradleycorp.com.

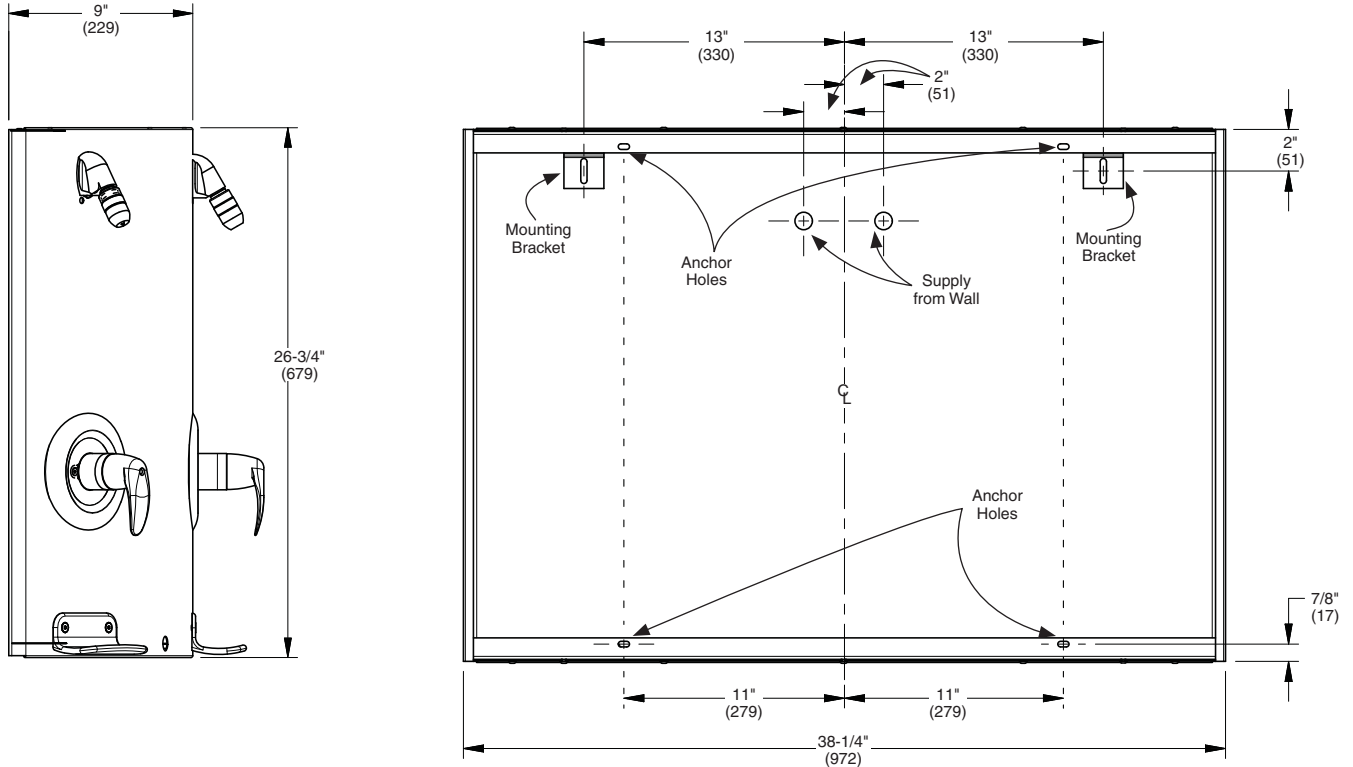


Supplies required for installation:

- Water supply inlets for 3/4" nom. type "L" copper tube
- (4) Wall anchors and 1/4" diameter bolts for mounting support brackets
- (OPTIONAL) 1/4" diameter screws for mounting shroud brackets
- (OPTIONAL) 3/4" union

Dimensions

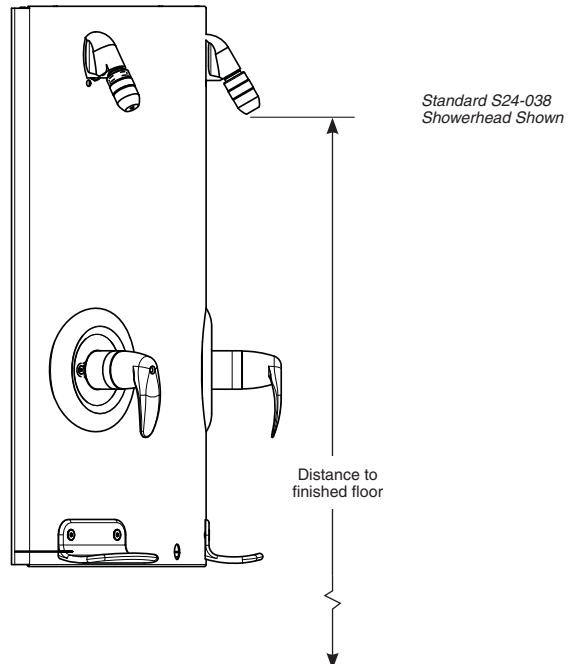
(mm)



Rough in supply lines before making connections. Use the Cold Inlet for Tempered Supply.

Recommended Shower Height (from Showerhead tip to finished floor)

Age	Male	Female
Adult	6'0" (1.83m)	5'6" (1.68m)
Teen	6'0" (1.83m)	5'6" (1.68m)
Pre-Teen	5'6" (1.68m)	5'6" (1.68m)



1 Install Shower

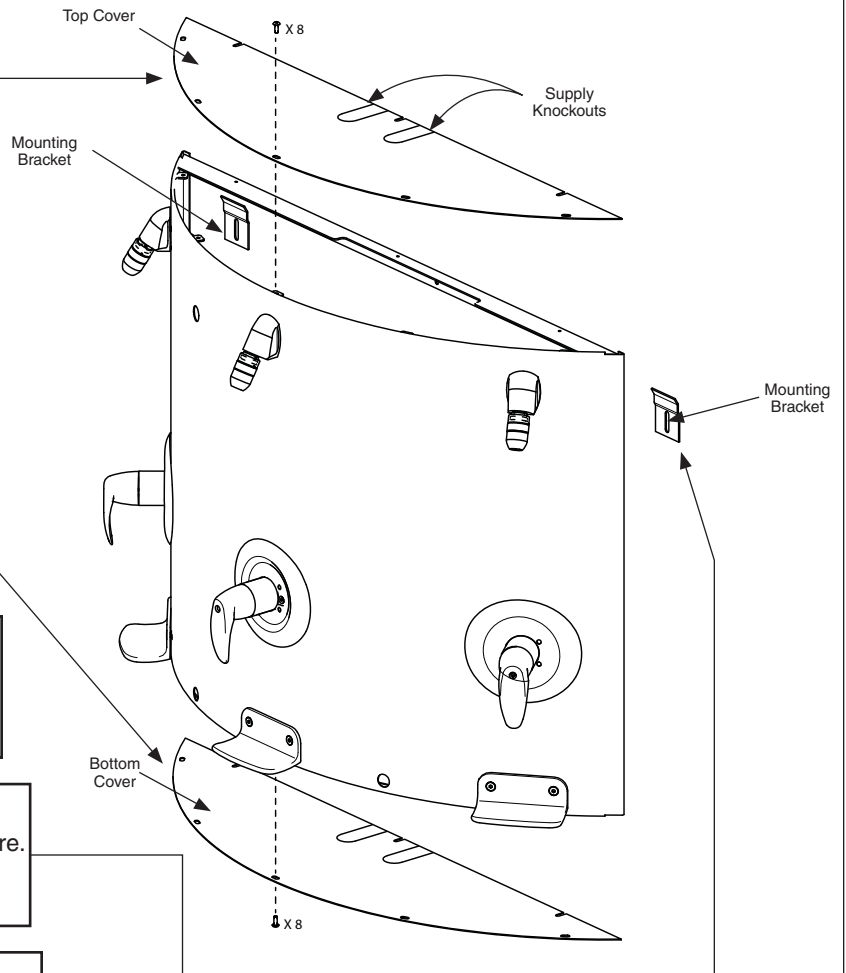
A Remove top and bottom covers.

Supplies may be brought in from back of shower unit or through knock-outs located on top of shower unit.

B Measure from top of unit to tip of showerhead. Subtract 2" and add the total to the desired mounting height (see page 2). Mark the wall with level horizontal line.

C Drill 1/4" holes on marked line and attach mounting brackets to wall using suitable hardware. Hang unit on brackets. Fasten to wall at the four anchor holes, using suitable hardware.

D Connect water supply to copper tubes inside the shower unit. Turn on water to your shower and check for leaks. Attach top and bottom covers.



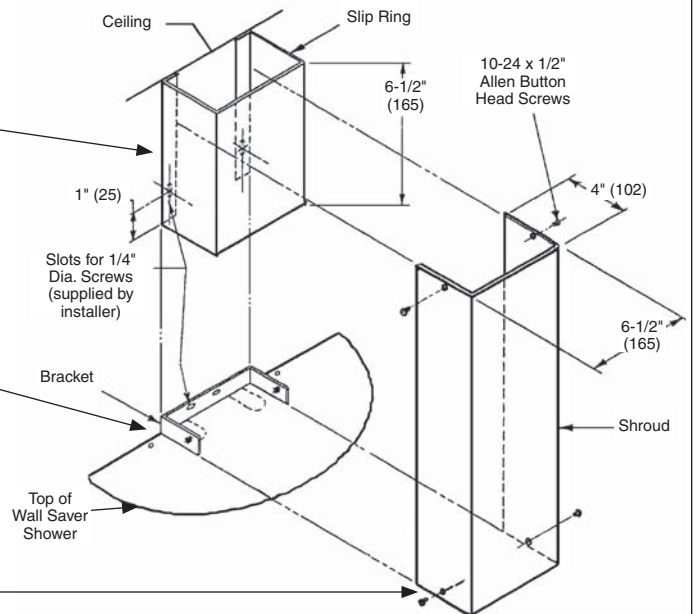
Installing Optional Vertical Shroud

(mm)

A Position Bracket on top of shower and secure to wall with 1/4" screws (provided by installer).

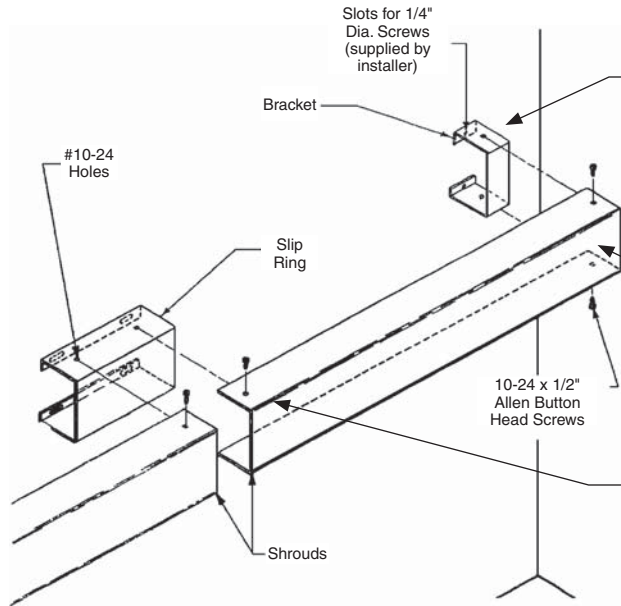
B Position Slip Ring on top of shower against ceiling and secure to wall with 1/4" screws (provided by installer).

C Position Shroud and secure to lower bracket with screws provided. Using holes on top of shroud as guides, drill and tap #10-24 holes in Slip Ring. Secure Shroud to Slip Ring.



Installing Optional Horizontal Shroud

(mm)



A Position Bracket and Slip Ring on wall and secure with 1/4" screws (provided by installer).

B Position Shroud over the bracket and secure with screws provided.

C Using shroud as guides, drill and tap #10-24 holes in Slip Ring. Secure Shroud to Slip Ring.

Cleaning Stainless Steel

Material Description: Stainless steel is extremely durable, and maintenance is simple and inexpensive. Proper care, particularly under corrosive conditions, is essential. Always start with the simplest solution and work your way toward the more complicated.

Routine cleaning: Daily or as often as needed use a solution of warm water and soap, detergent, or ammonia. Apply the cleaning solution per the manufactures instructions and always use a soft cloth or sponge to avoid damaging the finish.

Stubborn Stains: To remove stains from stainless steel, use a stainless steel cleaner and polish such as Ball® stainless steel cleaner or a soft abrasive. Always follow the manufactures instructions and apply in the same direction as the polish lines.



Never use ordinary steel wool or steel brushes on stainless steel. Always use stainless steel wool or stainless steel brushes.

Special Situations for Material

Fingerprints and Smears: To remove fingerprints or smears use a high quality stainless steel cleaner and polish in accordance with the manufactures instructions. Many of these products leave a protective coating that helps prevent future smears and fingerprints.

Grease and Oil: To remove grease and oil, use a quality commercial detergent or caustic cleaner. Apply in accordance to the manufactures instructions and in the direction of the polish lines.

Precautions: Avoid prolonged contact with chlorides (bleaches, salts), bromides (sanitizing agents), thiocyanates (pesticides, photography chemicals, and some foods), and iodides on stainless steel equipment, especially if acid conditions exist.



Do not permit salty solutions to dry and evaporate on stainless steel.

The appearance of rust streaks on stainless steel leads to the belief that the stainless steel is rusting. Look for the actual source of the rust in some iron or steel particles which may be touching, but not actually a part of the stainless steel structure.



Strongly acidic or caustic cleaners may attack the steel causing a reddish film to appear. The use of these cleaners should be avoided.

Brand Names: Use of brand names is intended only to indicate a type of cleaner. This does not constitute an endorsement, nor does the omission of any brand name cleaner imply its inadequacy. Many products named are regional in distribution, and can be found in local supermarkets, department and hardware stores, or through your cleaning service. It is emphasized that all products should be used in strict accordance with package instructions.