

# Column Drains

## Specifications and Drain Variations

### Specifications

#### Column Drain Flange

Flanges are 14 gauge type 304 stainless steel heliarc welded to the 16 gauge column tube. Fifteen drain holes are spaced around the base in a pattern which provides maximum drainage without weakening the flange (see Detail A).

The column shower is secured to the cast iron drain fitting with five 5/16-18 stainless steel hex-head bolts which pass through slotted openings in the drain flange (see Detail A). This arrangement permits the column to be rotated on inch (plus or minus 8°). Additionally, the drain is drilled and tapped in 15 locations. The combination of these two features allows the drain to be set in any position and still obtain the required showerhead location, particularly helpful in the installation of Modesty Modules and Multi-stall showers where partition placement may be critical.

#### Drain Fittings

Drain fittings are heavy cast iron coated with a rust preventative with 3" or 4" outlets depending on supply and vent arrangements. Type B and H drains are designed to satisfy code requirements which prohibit crown vents.

#### Drainage Capacity

Drain slots in the base of columns offer 7.01 sq. in. of free area to allow drainage of up to 31 gallons per minute with a head of 3/4".

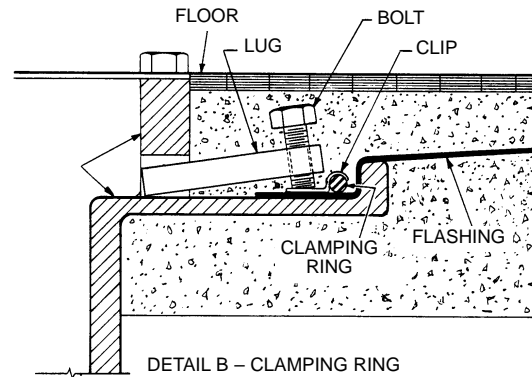
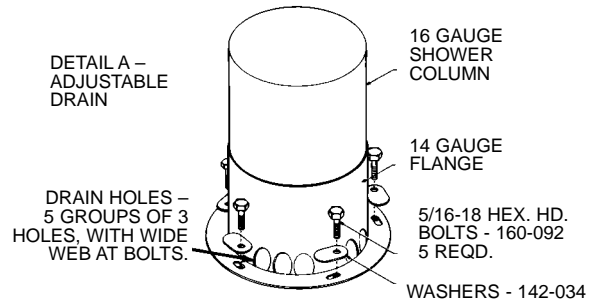
### Drain Variations

#### Clamping Ring for Flashing

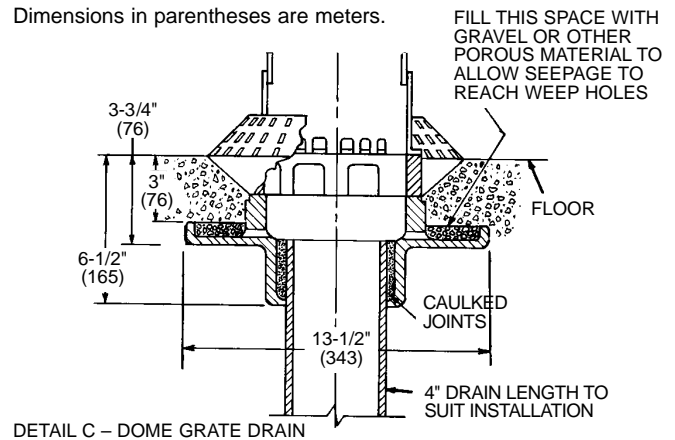
Waterproof membranes, or flashings, should be used under all shower floor installations and not on grade, such as second floor or balcony shower rooms. To prevent seepage, the flashing is secured to the drain fitting with a 3/16" steel clamping ring (see Detail B).

#### Dome Grate Drain

High capacity dome grate drain assembly has 28.14 sq. in. of free drainage area and will allow drainage of 60 GPM with a head of 1-1/2". A slotted stainless steel grate, secured by vandal-proof screws, conceals below grade high-flow drainage ports (see Detail C). Both upper and lower sections of the dome grate are 14 gauge type 304 stainless steel.



Dimensions in parentheses are meters.



# Column Drains, continued...

## Type A Drains—Off-Line Vent with Supplies From Below

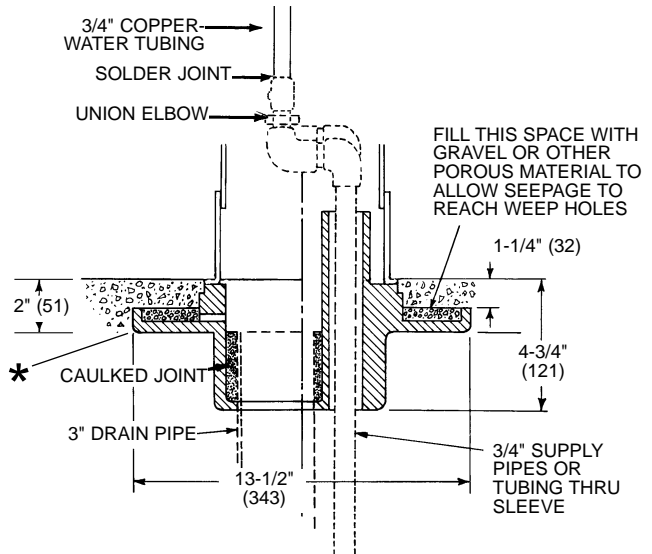
### Drain Rough-In Instructions

- Determine Direction of Showerhead Spray**  
Showerhead locations relate to drain placement and supply locations. However, the column flange adjustment feature and the multiple mounting holes in the drain compensate for any rotational errors in placement of the drain.
- Locate Finish Floor Line**  
Position drain so that top of disposable washer will be flush with finish floor. Floor should pitch to drain 1/4" per foot (19 mm per meter).
- Level Top of Drain**  
Be certain drain fitting is level so that column will install plumb.
- Make Connections**  
Connect drain to waste piping and stub-up 3/4" supplies through sleeves. Double check steps 2 and 3 above.

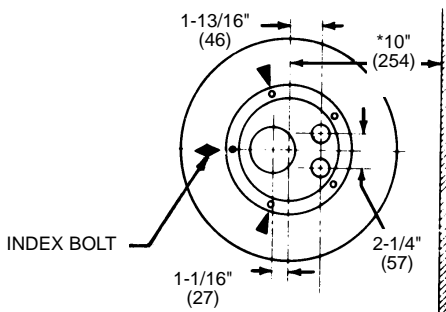
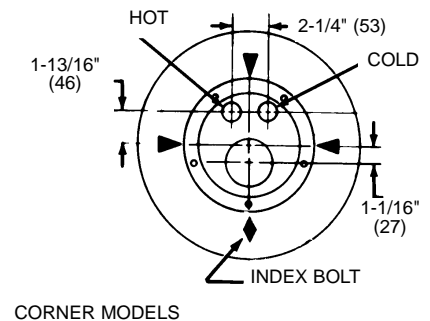
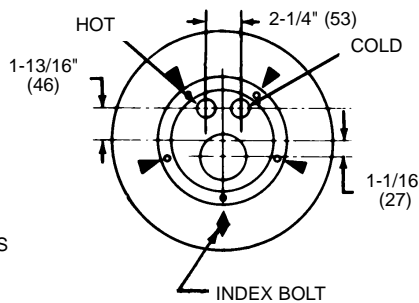
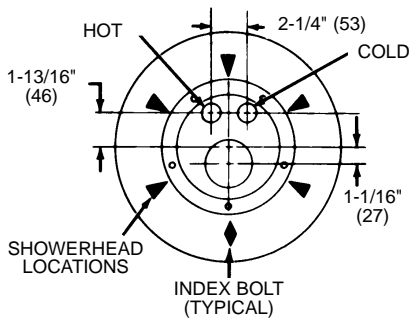
### Column Installation

- Flush supply lines.
- Remove disposable washer from top of drain and bolt column to drain.
- Connect supplies, as shown, through access opening.
- Test for proper operation. Replace hand-hole cover.

Dimensions in parentheses are meters.

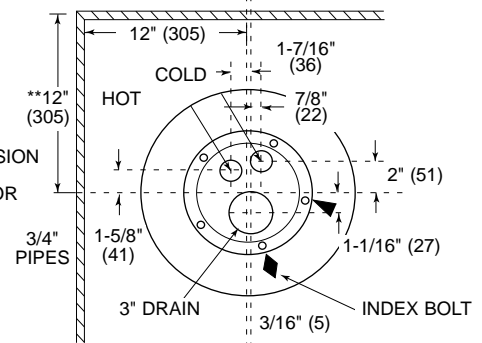


\* For solid anchorage, a minimum of 2" of concrete should be below this point.



\*NOTE. THIS DIMENSION IS 14-9/16" (370) WHEN SETTING DRAIN FOR SHOWERS WITH PARTITIONS.

\*\*NOTE THIS DIMENSION IS 21-1/2" WHEN SETTING DRAIN FOR SHOWERS WITH PARTITIONS.



Bradley Corporation reserves the right to make changes in design and material without notice and without incurring obligation. Verify all rough-in dimensions prior to installation.

# Column Drains, continued...

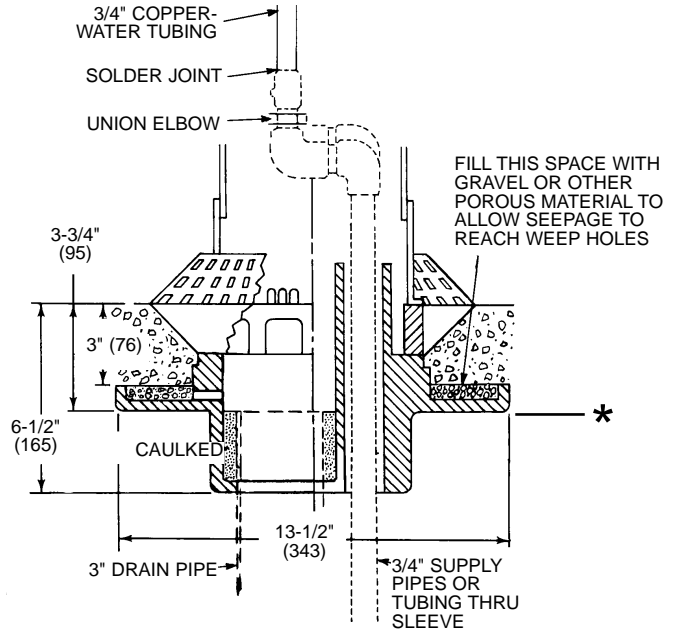
## Type A Drains with Dome Grate Drain—Off-Line Vent with Supplies from Below

### Drain Rough-In Instructions

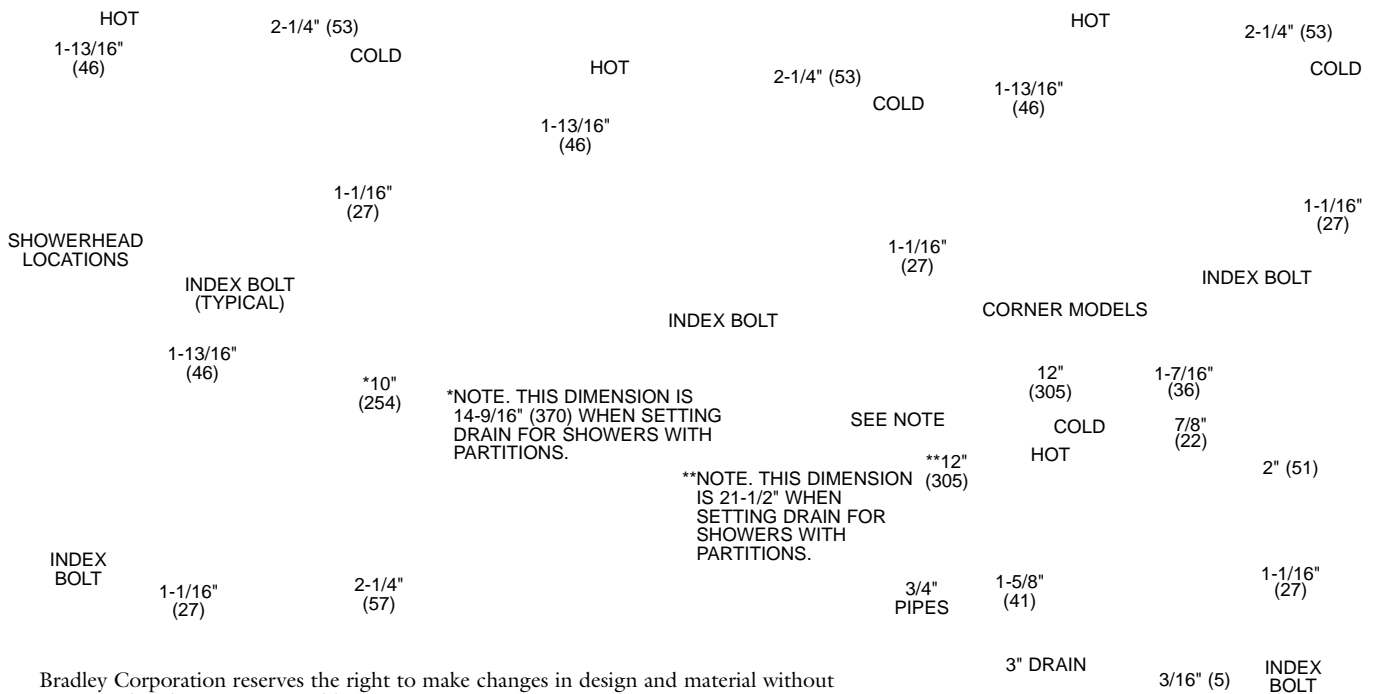
- 1. Assemble Drain Pan and Spacer to Casting.**
- 2. Determine Direction of Showerhead Spray**  
Showerhead locations relate to drain placement and supply locations. However, the column flange adjustment feature and the multiple mounting holes in the drain compensate for any rotational errors in placement of the drain.
- 3. Locate Finish Floor Line**  
Position drain so that top of disposable washer will be flush with finish floor. Floor should pitch to drain 1/4" per foot (19 mm per meter).
- 4. Level Top of Drain**  
Be certain drain fitting is level so that column will install plumb.
- 5. Make Connections**  
Connect drain to waste piping and stub-up 3/4" supplies through sleeves. Double check steps 3 and 4 above.

### Column Installation

1. Flush supply lines.
2. Remove disposable washer from top of drain and bolt column to drain.
3. Connect supplies, as shown, through access opening.
4. Test for proper operation. Replace hand-hole cover.
5. Install the two halves of the strainer.



\* For solid anchorage, a minimum of 2" of concrete should be below this point.



Bradley Corporation reserves the right to make changes in design and material without notice and without incurring obligation. Verify all rough-in dimensions prior to installation.

# Column Drains, continued...

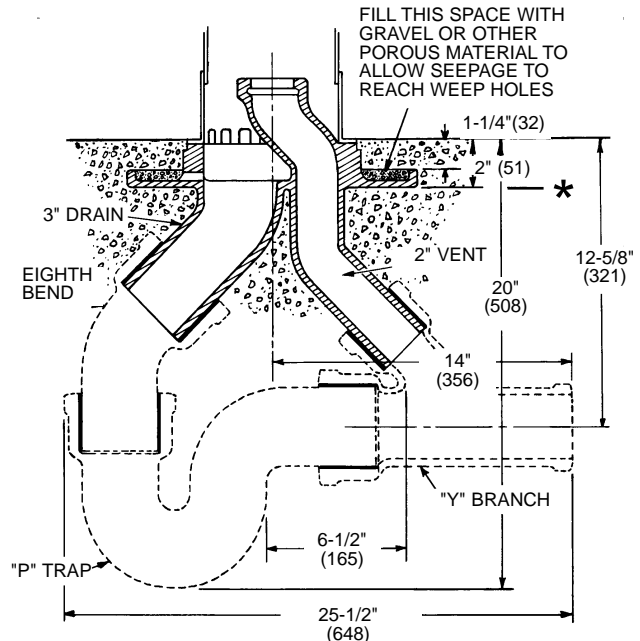
## Type B Drains—Centrally Rising Vent with Supplies From Above

### Drain Rough-In Instructions

- Determine Direction of Showerhead Spray**  
Showerhead locations relate to drain placement and supply locations. However, the column flange adjustment feature and the multiple mounting holes in the drain compensate for any rotational errors in placement of the drain.
- Locate Finish Floor Line**  
Position drain so that top of disposable washer will be flush with finish floor. Floor should pitch to drain  $1/4"$  per foot (19 mm per meter).
- Level Top of Drain**  
Be certain drain fitting is level so that column will install plumb.
- Make Connections**  
Connect drain and vent horns to waste piping. Double check steps 2 and 3 above.

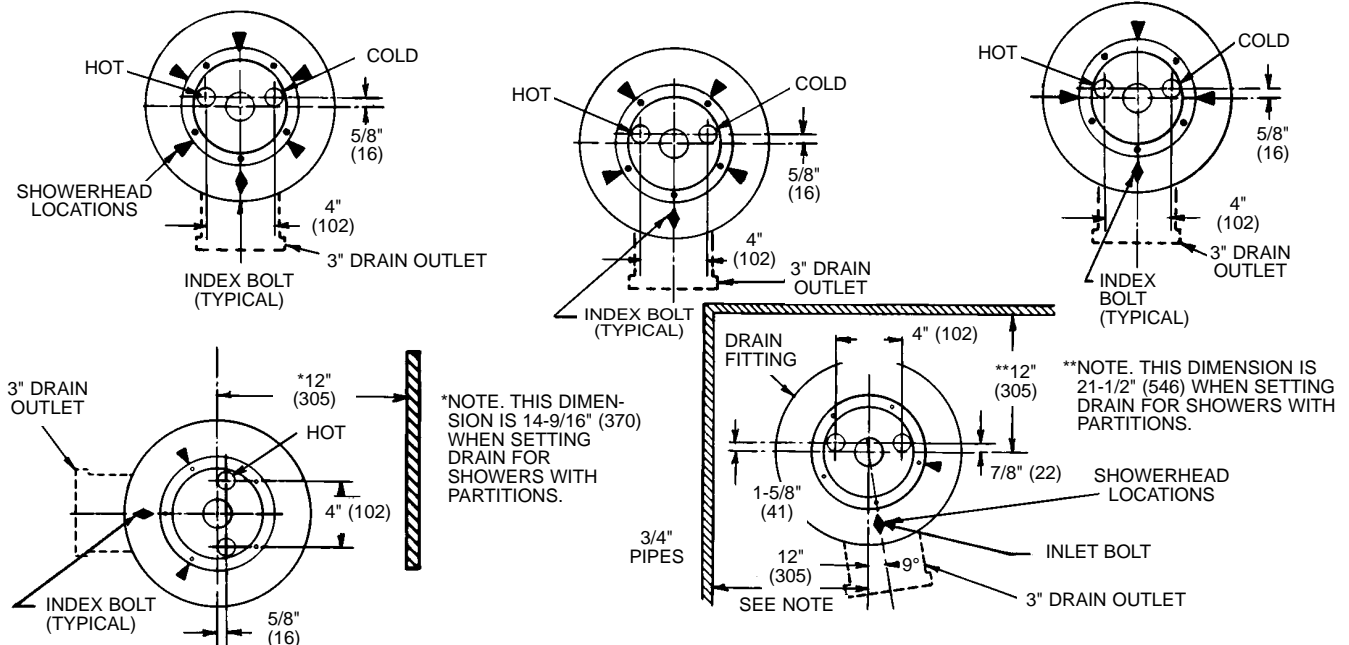
### Column Installation

- Flush supply lines.
- Remove column cover and insert a piece of 2" vent piping appropriate to installation. Position column over drain and screw pipe into vent connection.
- Remove disposable washer from top of drain and bolt column to drain.
- Drop supplies to top of column. Slide cover up vent and supplies. Make supply connections.
- Test for proper operation. Secure column cover.



STANDARD FITTINGS NOT FURNISHED BY BRADLEY

\* For solid anchorage, a minimum of 2" of concrete should be below this point.



Bradley Corporation reserves the right to make changes in design and material without notice and without incurring obligation. Verify all rough-in dimensions prior to installation.

# Column Drains, continued...

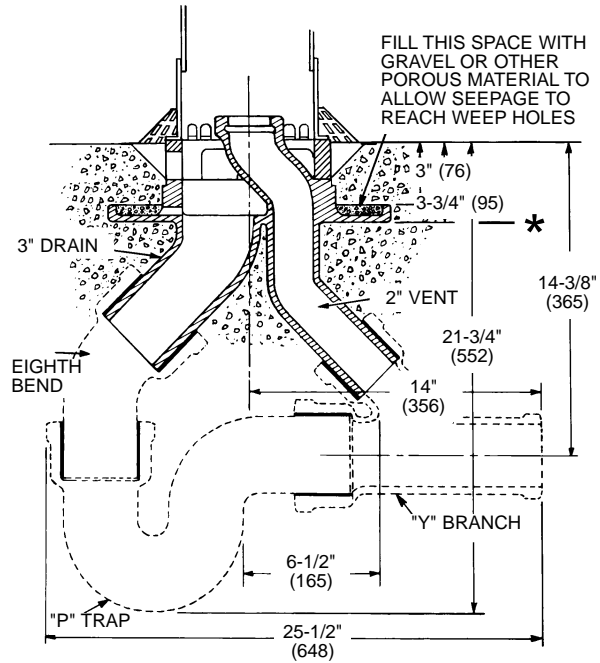
## Type B Drains with Dome Grate Drain—Centrally Rising Vent with Supplies from Above

### Drain Rough-In Instructions

1. Assemble Drain Pan and Spacer to Casting.
2. Determine Direction of Showerhead Spray  
Showerhead locations relate to drain placement and supply locations. However, the column flange adjustment feature and the multiple mounting holes in the drain compensate for any rotational errors in placement of the drain.
3. Locate Finish Floor Line  
Position drain so that top of disposable washer will be flush with finish floor. Floor should pitch to drain 1/4" per foot (19 mm per meter).
4. Level Top of Drain  
Be certain drain fitting is level so that column will install plumb.
5. Make Connections  
Connect drain and vent horns to waste piping. Double check steps 3 and 4 above.

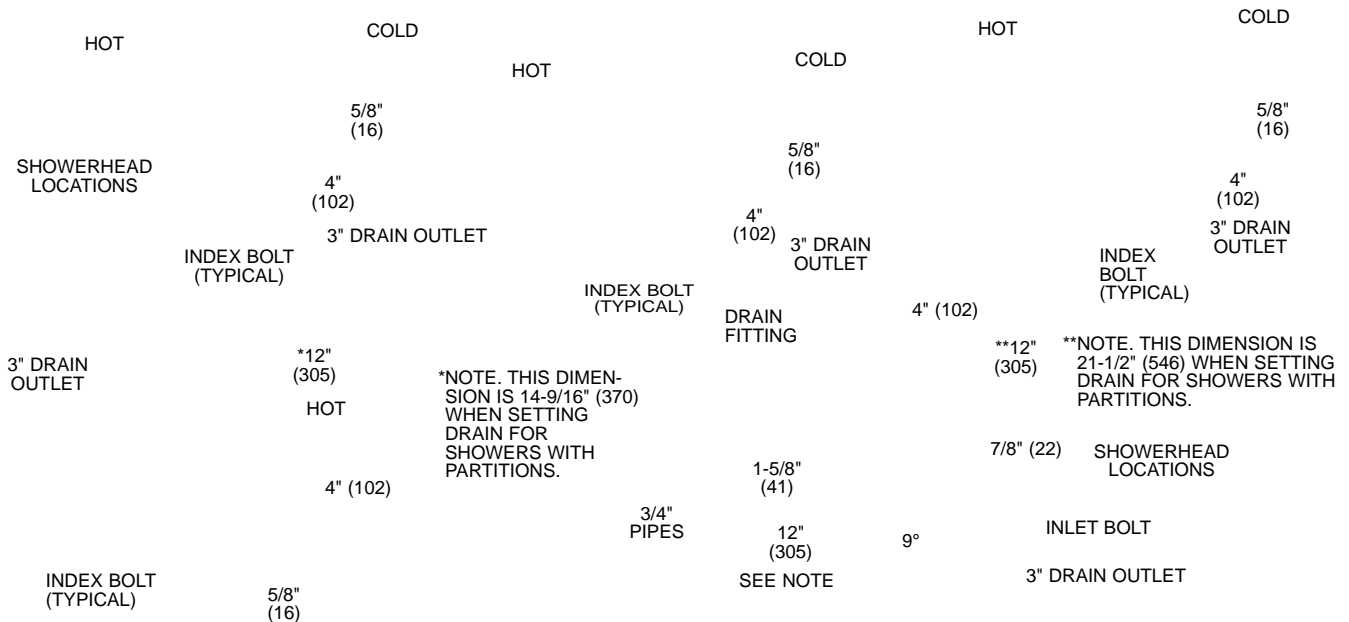
### Column Installation

1. Flush supply lines.
2. Remove column cover and insert a piece of 2" vent piping appropriate to installation. Position column over drain and screw pipe into vent connection.
3. Remove disposable washer from top of drain and bolt column to drain.
4. Drop supplies to top of column. Slide cover up vent and supplies. Make supply connections.
5. Test for proper operation. Secure column cover.
6. Install the two halves of the strainer.



STANDARD FITTINGS NOT FURNISHED BY BRADLEY

\* For solid anchorage, a minimum of 2" of concrete should be below this point.



Bradley Corporation reserves the right to make changes in design and material without notice and without incurring obligation. Verify all rough-in dimensions prior to installation.

# Column Drains, continued...

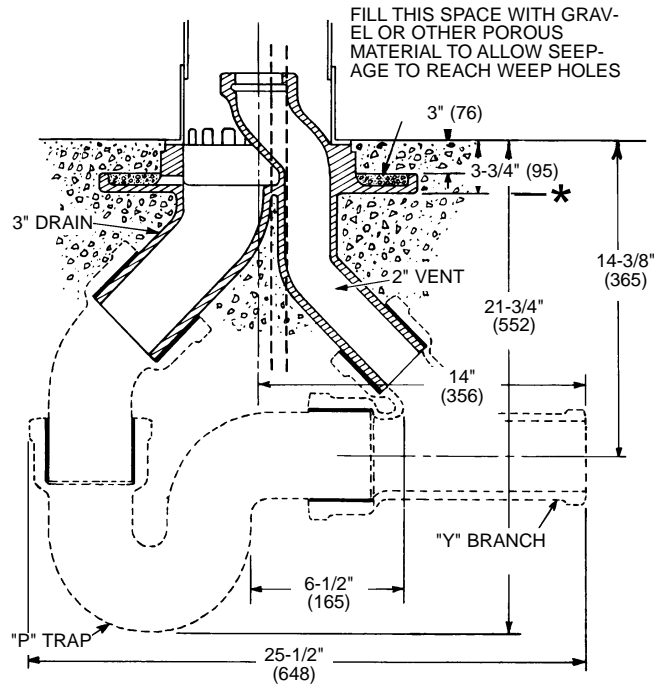
## Type H Drains—Centrally Rising Vent with Supplies from Below

### Drain Rough-In Instructions

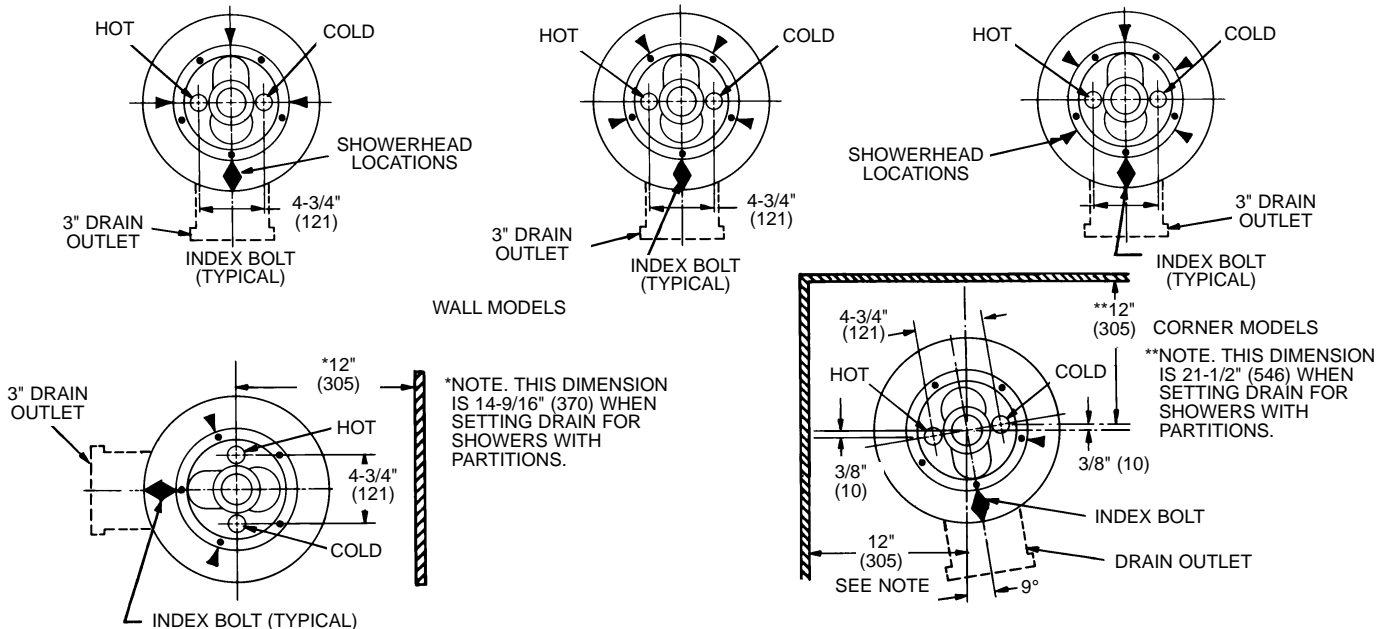
- Determine Direction of Showerhead Spray**  
Showerhead locations relate to drain placement and supply locations. However, the column flange adjustment feature and the multiple mounting holes in the drain compensate for any rotational errors in placement of the drain.
- Locate Finish Floor Line**  
Position drain so that top of disposable washer will be flush with finish floor. Floor should pitch to drain 1/4" per foot (19 mm per meter).
- Level Top of Drain**  
Be certain drain fitting is level so that column will install plumb.
- Make Connections**  
Connect drain and vent horns to waste piping, and stub-up supplies through sleeves. Double check steps 2 and 3 above.

### Column Installation

- Flush supply lines.
- Remove column cover and insert a piece of 2" vent piping appropriate to installation. Position column over drain and screw pipe into vent connection.
- Remove disposable washer from top of drain and bolt column to drain.
- Connect supplies, as shown, through access opening.
- Place top cover over vent and complete vent installation.
- Test for proper operation. Replace hand-hole cover and secure column cover.



\* For solid anchorage, a minimum of 2" of concrete should be below this point.



Bradley Corporation reserves the right to make changes in design and material without notice and without incurring obligation. Verify all rough-in dimensions prior to installation.

# Column Drains, continued...

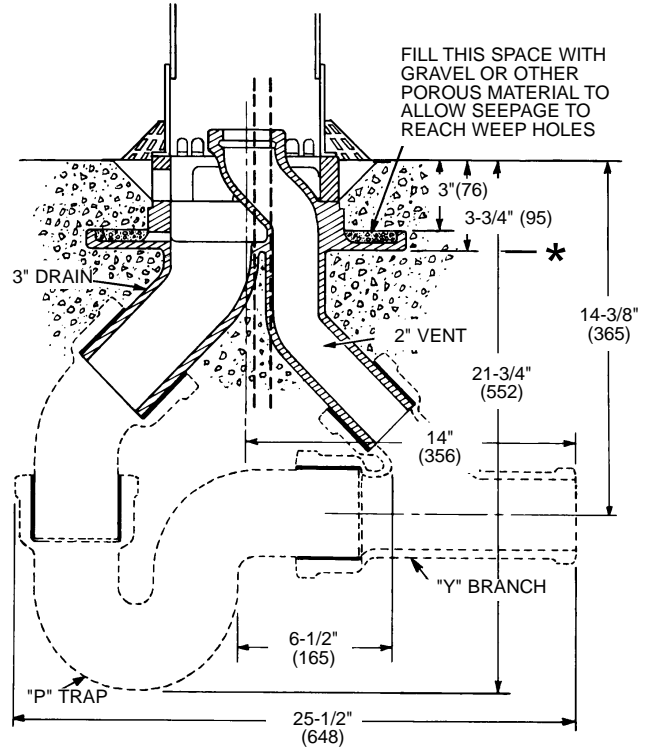
## Type H Drains with Dome Grate Drain—Centrally Rising Vent with Supplies from Below

### Drain Rough-In Instructions

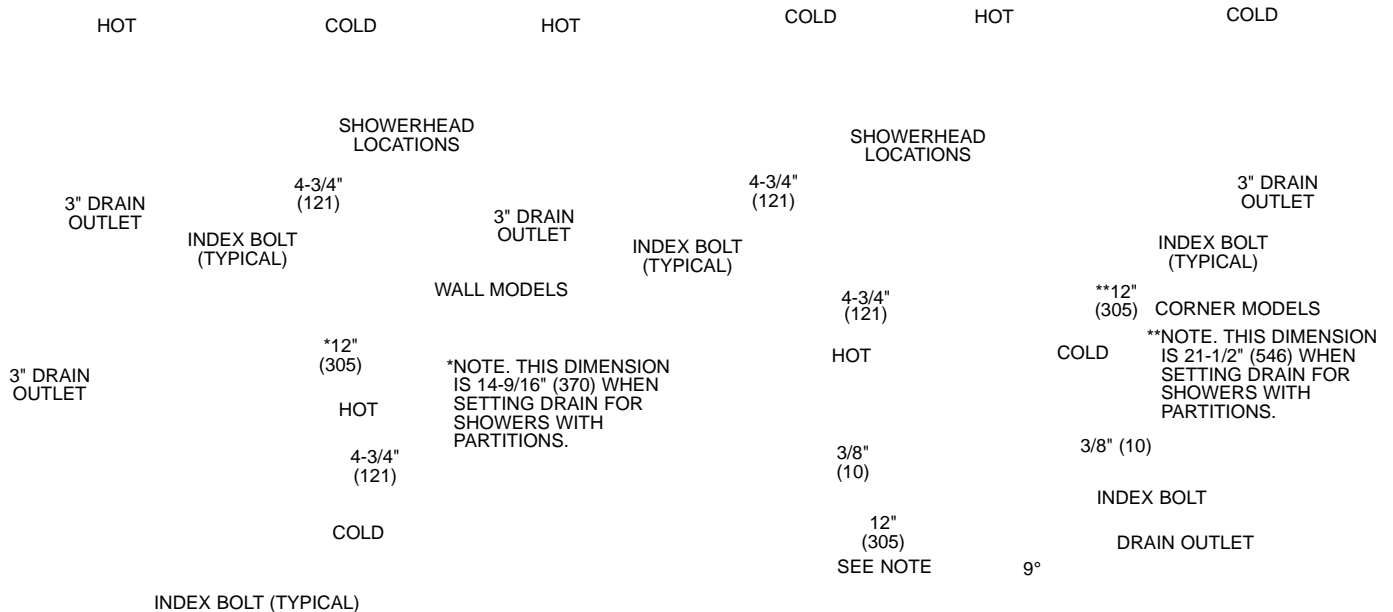
- 1. Assemble Drain Pan and Spacer to Casting.**
- 2. Determine Direction of Showerhead Spray**  
Showerhead locations relate to drain placement and supply locations. However, the column flange adjustment feature and the multiple mounting holes in the drain compensate for any rotational errors in placement of the drain.
- 3. Locate Finish Floor Line**  
Position drain so that top of disposable washer will be flush with finish floor. Floor should pitch to drain 1/4" per foot (19 mm per meter).
- 4. Level Top of Drain**  
Be certain drain fitting is level so that column will install plumb.
- 5. Make Connections**  
Connect drain and vent horns to waste piping, and stub-up supplies through sleeves. Double check steps 3 and 4 above.

### Column Installation

1. Flush supply lines.
2. Remove column cover and insert a piece of 2" vent piping appropriate to installation. Position column over drain and screw pipe into vent connection..
3. Remove disposable washer from top of drain and bolt column to drain.
4. Connect supplies, as shown, through access opening.
5. Place top cover over vent and complete vent installation.
6. Test for proper operation. Replace hand-hole cover and secure column cover.
7. Install the two halves of the strainer.



\* For solid anchorage, a minimum of 2" of concrete should be below this point.



Bradley Corporation reserves the right to make changes in design and material without notice and without incurring obligation. Verify all rough-in dimensions prior to installation.

# Column Drains, continued...

## Type O Drains—Supplies from Above with Vent Off Drain

### Drain Rough-In Instructions

**1. Determine Direction of Showerhead Spray**

Showerhead locations relate to drain placement and supply locations. However, the column flange adjustment feature and the multiple mounting holes in the drain compensate for any rotational errors in placement of the drain.

**2. Locate Finish Floor Line**

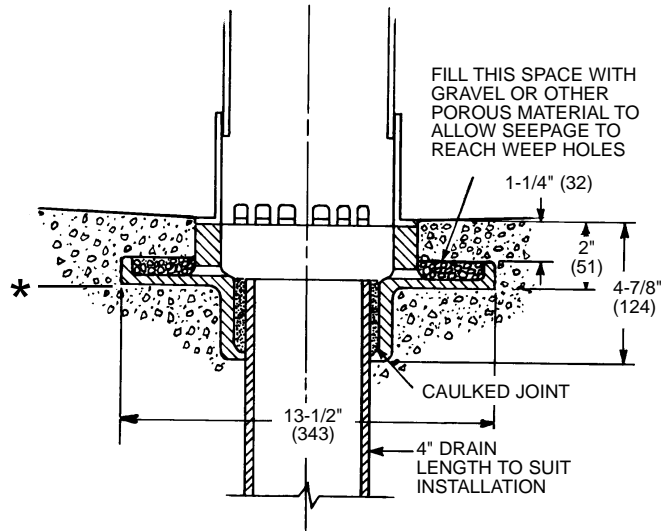
Position drain so that top of disposable washer will be flush with finish floor. Floor should pitch to drain 1/4" per foot (19 mm per meter).

**3. Level Top of Drain**

Be certain drain fitting is level so that column will install plumb.

**4. Make Connections**

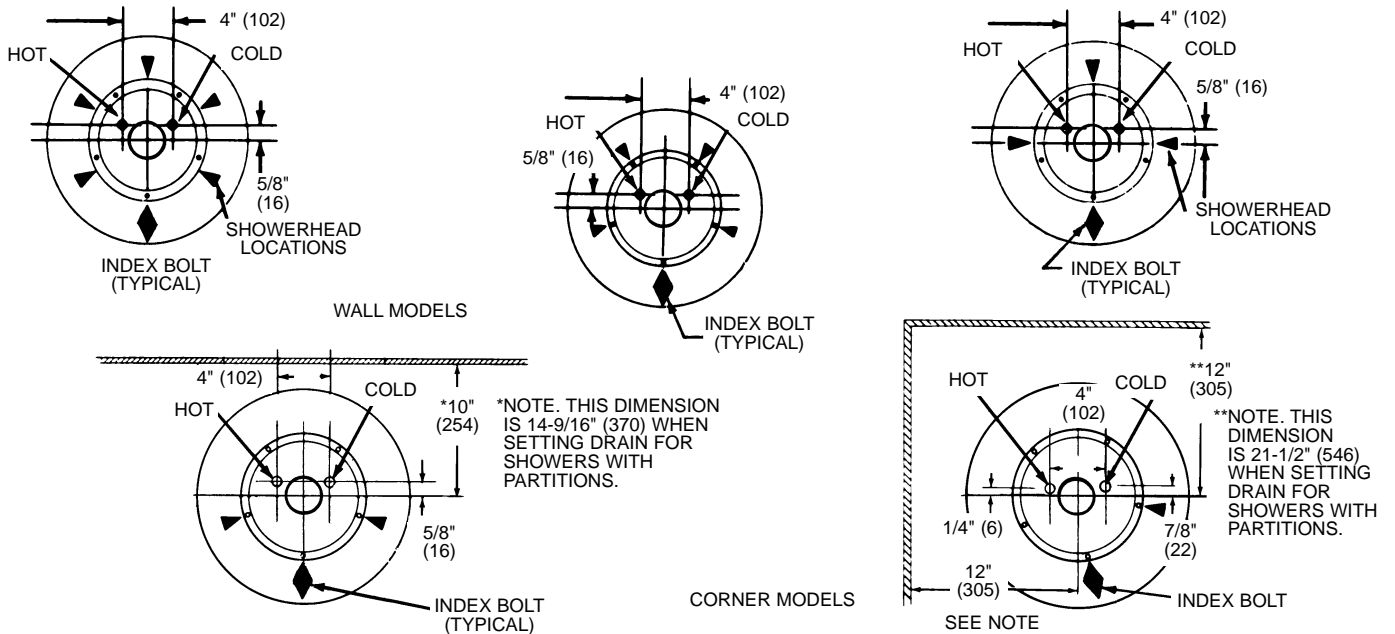
Connect drain to waste piping. Double check steps 2 and 3 above.



\* For solid anchorage, a minimum of 2" of concrete should be below this point.

### Column Installation

1. Flush supply lines.
2. Remove disposable washer from top of drain and bolt column to drain.
3. Drop supplies to top of column. Slide cover up supplies. Make supply connections.
4. Test for proper operation. Secure column to cover.



Bradley Corporation reserves the right to make changes in design and material without notice and without incurring obligation. Verify all rough-in dimensions prior to installation.



# Column Drains, continued...

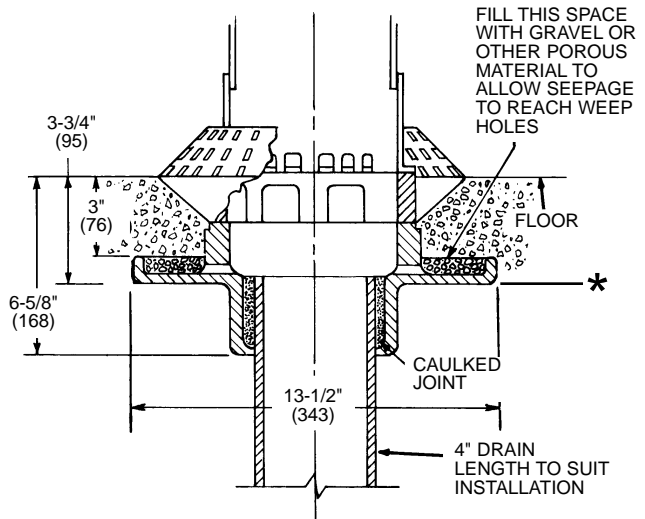
## Type O Drains with Dome Grate Drain—Supplies from Above with Vent Off Drain

### Drain Rough-In Instructions

- 1. Assemble Drain Pan and Spacer to Casting.**
- 2. Determine Direction of Showerhead Spray**  
Showerhead locations relate to drain placement and supply locations. However, the column flange adjustment feature and the multiple mounting holes in the drain compensate for any rotational errors in placement of the drain.
- 3. Locate Finish Floor Line**  
Position drain so that top of disposable washer will be flush with finish floor. Floor should pitch to drain 1/4" per foot (19 mm per meter).
- 4. Level Top of Drain**  
Be certain drain fitting is level so that column will install plumb.
- 5. Make Connections**  
Connect drain to waste piping. Double check steps 3 and 4 above.

### Column Installation

1. Flush supply lines.
2. Remove disposable washer from top of drain and bolt column to spacer.
3. Drop supplies to top of column. Slide cover up supplies. Make supply connections.
4. Test for proper operation. Secure column to cover.
5. Install the two halves of the strainer.



\* For solid anchorage, a minimum of 2" of concrete should be below this point.

