



- Ideal for ADA Shower Rooms
- Flexible Supply Hoses Make Rough-In Easier
- Completely Preassembled, Surface-Mounted Wall Unit

Specifications

Shower Configuration

Available in a right or left-handed configuration depending on location of valve, as determined by application or ADA requirements.

Construction

Materials

All exposed materials, except for phenolic seat, are type 304 stainless steel or polished chrome-plated brass. Shower panel is 16 gauge and grab bar is 18 gauge. Valve bodies are brass casting. Supply hoses are 24" flexible stainless steel.

ADA Compliant

When installed properly in a 3' x 3' stall (provided by others), the HN250 provides a shower stall designed to comply with all known ADA guidelines on reaches, clearances, and operation. Controls are mounted 48" above the floor to accommodate all users. Partition/stall provided by others.



Check local applicable codes for dimensional compliance.

Standard Equipment

Shower Panel

Constructed of 16 gauge stainless steel.

Valve Type as Selected

For more information on each valve type, please enter the model number in the search box at www.bradleycorp.com.

Showerhead

Standard fixed direction adjustable sprayhead (S15).

Diverter Valve

Lever handle operation for easy transfer of water flow between fixed and hand-held shower spray.

Hand Shower

Consisting of hand shower with on-off control, a 60" stainless steel flexible hose and post style mounting bracket to hold to shower panel. Elevated in-line backflow preventer with quick-disconnect for flexible hose.

Supply Inlets

Supply inlets are 24" flexible, stainless steel hoses with 1/2" NPT connections.

Flow Control

A 1.5 GPM (5.7 LPM) flow control is standard. Actual flow may vary, but will not exceed 2.0 GPM (7.6 LPM) max.



Optional Selections

L-Shaped Grab Bar

Grab bar fabricated of 18 gauge 1-1/2" O.D. stainless steel tubing with a 1-1/2" safety statute clearance. Flanges are 11 gauge. Load capacity in excess of 300 lbs.

ADA Compliant Seat

Reversible phenolic shower seat. Load capacity of 250 lbs. See technical data document Bradley_ShowerSeat_9569 for additional information.

Shower Curtain

60" x 72" vinyl shower curtain with heavy-duty curtain rod and hooks.



Model <input type="checkbox"/> HN250	Description Surface-Mounted ADA-Compliant Wall Shower
--	---

Standard Selections (Must select one from each category)

Showerhead Height (select one)

<input type="checkbox"/> 6'-0"	Standard Height
<input type="checkbox"/> 5'-6"	Juvenile Height

Valve Type (select one)

<input type="checkbox"/> EF	Equa-Flo Pressure-Balancing Valve
<input type="checkbox"/> HD	Equa-Flo HD Pressure-Balancing Valve
<input type="checkbox"/> TMV	Thermostatic Mixing Valve
<input type="checkbox"/> SVL	Single Compression Valve with Lever Handle
<input type="checkbox"/> AST	Air Pushbutton
<input type="checkbox"/> TTPA	TouchTime Pushbutton**
<input type="checkbox"/> TTPB	TouchTime Piezo Switch**

Showerhead Type (\$15 option is the default if no showerhead option selected)

<input type="checkbox"/> S15	Standard Showerhead (Flow Rate = 1.5 GPM/5.7 LPM)
<input type="checkbox"/> SX15	Severe Service Showerhead (Flow Rate = 1.5 GPM/5.7 LPM)
<input type="checkbox"/> S20	Standard Showerhead (Flow Rate = 2.0 GPM/7.6 LPM)
<input type="checkbox"/> SX20	Severe Service Showerhead (Flow Rate = 2.0 GPM/7.6 LPM)
<input type="checkbox"/> SF	Deluxe Showerhead w/ Ball Joint (Flow Rate = 1.5 GPM/5.7 LPM)
<input type="checkbox"/> ES	Economy Soft Flow with Ball Joint (Flow Rate = 2.0 GPM/7.6 LPM)
<input type="checkbox"/> J	Multi-Jet Showerhead w/ Ball Joint (Flow Rate = 1.5 GPM/5.7 LPM)
<input type="checkbox"/> LX	Luxury Showerhead w/ Ball Joint (Flow Rate = 1.5 GPM/5.7 LPM)
<input type="checkbox"/> B	Axis Showerhead w/ Ball Joint (Flow Rate = 1.5 GPM/5.7 LPM)

Second Showerhead Type (select one)

<input type="checkbox"/> HS	Hand shower w/ 60" Flexible Hose, Wall Hook, Vacuum Breaker and Quick Disconnect ‡
<input type="checkbox"/> S15	Standard Showerhead w/ Ball Joint (Flow Rate = 1.5 GPM)
<input type="checkbox"/> SX15	Severe Service Showerhead (Flow Rate = 1.5 GPM/5.7 LPM)
<input type="checkbox"/> S20	Standard Showerhead w/ Ball Joint (Flow Rate = 2.0 GPM/7.6 LPM)
<input type="checkbox"/> SX20	Severe Service Showerhead (Flow Rate = 2.0 GPM/7.6 LPM)
<input type="checkbox"/> ES	Economy Soft Flow Showerhead w/ Ball Joint (Flow Rate = 2.0 GPM/7.6 LPM)
<input type="checkbox"/> J	Multi-Jet Showerhead w/ Ball Joint (Flow Rate = 1.5 GPM/5.7 LPM)
<input type="checkbox"/> LX	Luxury Showerhead w/ Ball Joint (Flow Rate = 1.5 GPM/5.7 LPM)
<input type="checkbox"/> B	Axis Showerhead w/ Ball Joint (Flow Rate = 1.5 GPM/5.7 LPM)

Valve Location (select one)

<input type="checkbox"/> VL	Valve Left
<input type="checkbox"/> VR	Valve Right

Optional Selections

Volume Control Type† (select one)

<input type="checkbox"/> AKV	Allen Key Volume Control
<input type="checkbox"/> LHV	Lever Handle Volume Control
<input type="checkbox"/> NONE	No Volume Control

Ball Joint Type† (select one)

<input type="checkbox"/> LBJ	Lockable Ball Joint
<input type="checkbox"/> NONE	No Lockable Ball Joint

Supply Stop Type* (select one)**

<input type="checkbox"/> ST	Stops in each Supply
<input type="checkbox"/> NONE	No Supply Stops

Slide Bar Type§ (select one)

<input type="checkbox"/> SB	24" Slide Bar
<input type="checkbox"/> NONE	No Slide Bar

Shroud Type

<input type="checkbox"/> SHV	Vertical Shrouds (floor to ceiling height _____ ft. _____ in.)*
<input type="checkbox"/> SHH	Horizontal Shroud (per 3' section)*
<input type="checkbox"/> NONE	No Shroud

Shower Seat Type (select one)

<input type="checkbox"/> RSS	Reversible Phenolic Shower Seat (Not a Transfer Seat)
<input type="checkbox"/> NS	No Seat

Curtain Type (select one)

<input type="checkbox"/> CRH	Shower Curtain, Rod and Hooks
<input type="checkbox"/> NONE	No Shower Curtain, Rod or Hooks

Grab Bar Type (select one)

<input type="checkbox"/> GB	L-Shaped 2-Wall Grab Bar
<input type="checkbox"/> NONE	No Grab Bar

Hardware Type

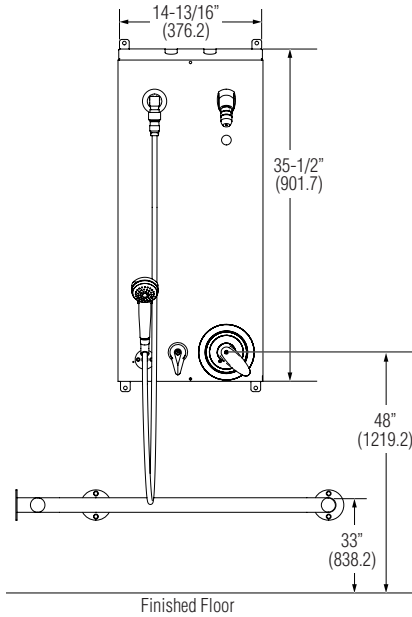
<input type="checkbox"/> SC	Standard Screws
<input type="checkbox"/> VS	Vandal Resistant Screws

*Non-cancelable, non-returnable.
 **TTPA and TTPB valves require a low-voltage UL/CSA listed 120VAC/12VDC plug-in adapter.
 ‡ Hand Shower is 1.5 GPM (5.7 LPM)
 † Only available on S15 and S20 showerheads.
 *** Included with EF, HD and TMV Valves.
 § Only available with HS selection.

Verify all rough-in dimensions prior to installation.
 Consult local and national codes: conformity and compliance to local and national codes is the responsibility of the installer.
 2.5 GPM showerhead flow rate does not meet California Energy Commission 20 CCR T.20, Div. 2, 1601-1609.



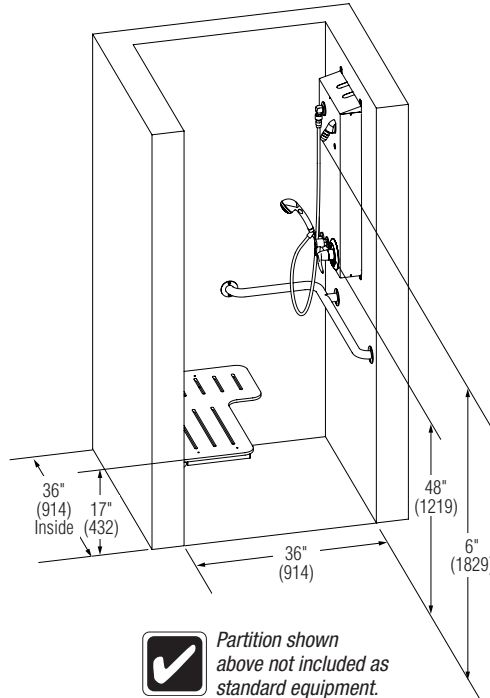
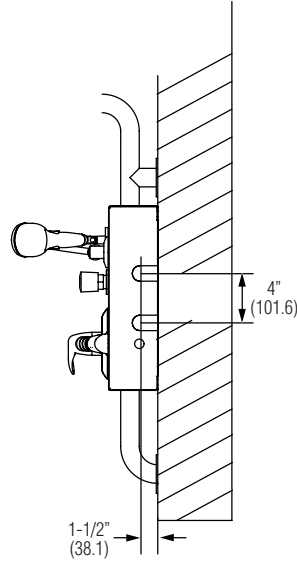
Shower Panel/Grab Bar Rough-In



Dimensions for ADA Compliance

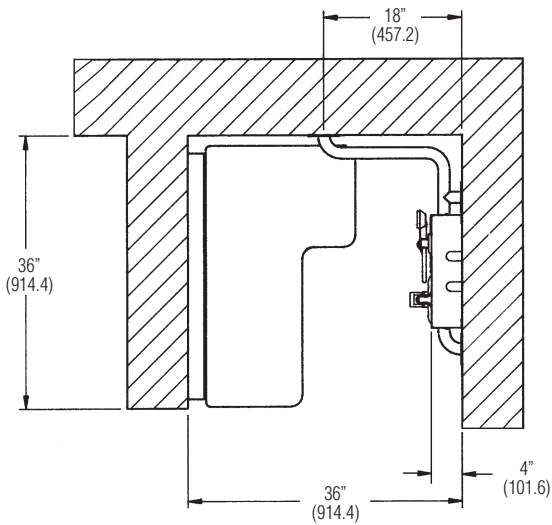
(mm)

Supplies Rough-In



Partition shown above not included as standard equipment.

Valve Right/Seat Left Configuration



For Valve Left/Seat Right configuration, mirror dimensions for Valve Right/Seat Left.