



- No Frame Required for Installation
- Ideal for ADA Shower Rooms
- Flexible Supply Hoses Make Rough-In Easier
- Completely Preassembled, Recess-Mounted Wall Unit

Specifications

Shower Configuration

Available in a right or left-handed configuration depending on location of valve, as determined by application or ADA requirements.

Construction

Materials

All exposed materials, except for phenolic seat, are type 304 stainless steel or polished chrome-plated brass. Shower panel is 16 gauge and grab bar is 18-gauge. Valve bodies are brass casting. Supply hoses are 24" flexible stainless steel.

ADA Compliant

When installed properly in a 3' x 3' stall (provided by others), the HN200 provides a shower stall designed to comply with all known ADA guidelines on reaches, clearances, and operation. Controls are mounted 42" – 48" above the floor to accommodate all users.



Check local applicable codes for dimensional compliance.

Standard Equipment

Shower Panel

Constructed of 16 gauge stainless steel with recessed soap dish.

Valve Type as Selected

For more information on each valve type please enter the model number in the search box at www.bradleycorp.com.

Showerhead

Standard fixed direction adjustable sprayhead (S15).

Diverter Valve

Lever handle operation for easy transfer of water flow between fixed and hand-held hose spray.

Hand Shower

Consisting of hand shower with on-off control, a 60" stainless steel flexible hose and post style mounting bracket to hold to shower panel. Elevated in-line backflow preventer with quick-disconnect for flexible hose.

Supply Inlets

Supply inlets are flexible, stainless steel hoses with 1/2" NPT connections.

Flow Control

A 1.5 GPM (5.7 LPM) flow control is standard. Actual flow may vary, but will not exceed 2.0 GPM (7.6 LPM) max.



HN200
(Valve Left Shown)

Optional Selections

L-Shaped Grab Bar

Grab bar fabricated of 18-gauge 1-1/2" O.D. stainless steel tubing with a 1-1/2" safety statute clearance. Flanges are 11-gauge. Load capacity in excess of 300 lbs.

ADA Compliant Seat

Reversible phenolic shower seat. Load capacity of 250 lbs. See technical data document Bradley_ShowerSeat_9569 for additional information.

Shower Curtain

60" x 72" vinyl shower curtain with heavy-duty curtain rod and hooks.



Model	Description
<input type="checkbox"/> HN200	Recess-Mounted ADA-Compliant Wall Shower
Standard Selections (Must select one from each category) Showerhead Height (select one) <input type="checkbox"/> 6'-0" Standard Height <input type="checkbox"/> 5'-6" Juvenile Height Valve Type (select one) <input type="checkbox"/> EF Equa-Flo Pressure-Balancing Valve <input type="checkbox"/> HD Equa-Flo HD Pressure-Balancing Valve <input type="checkbox"/> TMV Thermostatic Mixing Valve <input type="checkbox"/> SVL Single Compression Valve with Lever Handle <input type="checkbox"/> AST Air Pushbutton <input type="checkbox"/> TTPA TouchTime Pushbutton* <input type="checkbox"/> TTPB TouchTime Piezo Switch*	
Showerhead Type <input type="checkbox"/> S15 Standard Showerhead (Flow Rate = 1.5 GPM/5.7 LPM) <input type="checkbox"/> SX15 Severe Service Showerhead (Flow Rate = 1.5 GPM/5.7 LPM) <input type="checkbox"/> S20 Standard Showerhead (Flow Rate = 2.0 GPM/7.6 LPM) <input type="checkbox"/> SX20 Severe Service Showerhead (Flow Rate = 2.0 GPM/7.6 LPM) <input type="checkbox"/> SF Deluxe Showerhead w/ Ball Joint (Flow Rate = 1.5 GPM/5.7 LPM) <input type="checkbox"/> ES Economy Soft Flow w/ Ball Joint (Flow Rate = 2.0 GPM/7.6 LPM) <input type="checkbox"/> J Multi-Jet Showerhead w/ Ball Joint (Flow Rate = 1.5GPM/5.7 LPM) <input type="checkbox"/> LX Luxury Showerhead w/ Ball Joint (Flow Rate = 1.5GPM/5.7 LPM) <input type="checkbox"/> B Axis Showerhead w/ Ball Joint (Flow Rate = 1.5GPM/5.7 LPM)	
Second Showerhead Type (select one) <input type="checkbox"/> HS Hand Shower w/ 60" Flexible Hose, Wall Hook, Vacuum Breaker and Quick Disconnect** <input type="checkbox"/> S15 Standard Showerhead (Flow Rate = 1.5 GPM/5.7 LPM) <input type="checkbox"/> SX15 Severe Service Showerhead (Flow Rate = 1.5 GPM/5.7 LPM) <input type="checkbox"/> S20 Standard Showerhead (Flow Rate = 2.0 GPM/7.6 LPM) <input type="checkbox"/> SX20 Severe Service Showerhead (Flow Rate = 2.0 GPM/7.6 LPM) <input type="checkbox"/> ES Economy Soft Flow w/ Ball Joint (Flow Rate = 2.0 GPM/7.6 LPM) <input type="checkbox"/> J Multi-Jet Showerhead w/ Ball Joint (Flow Rate = 1.5GPM/5.7 LPM) <input type="checkbox"/> LX Luxury Showerhead w/ Ball Joint (Flow Rate = 1.5GPM/5.7 LPM) <input type="checkbox"/> B Axis Showerhead w/ Ball Joint (Flow Rate = 1.5GPM/5.7 LPM)	
Valve Location (select one) <input type="checkbox"/> VL Valve Left <input type="checkbox"/> VR Valve Right/Seat Left	

Optional Selections
Volume Control Type‡ (select one) <input type="checkbox"/> AKV Allen Key Volume Control <input type="checkbox"/> LHV Lever Handle Volume Control <input type="checkbox"/> NONE No Volume Control
Ball Joint Type‡ (select one) <input type="checkbox"/> LBJ Lockable Ball Joint <input type="checkbox"/> NONE No Lockable Ball Joint
Supply Stop Type† (select one) <input type="checkbox"/> ST Stops in each Supply <input type="checkbox"/> NONE No Supply Stops
Slide Bar Type§ (select one) <input type="checkbox"/> SB 24" Slide Bar <input type="checkbox"/> NONE No Slide Bar
Shower Seat Type (select one) <input type="checkbox"/> RSS Reversible Phenolic Shower Seat <input type="checkbox"/> NS No Seat
Curtain Type (select one) <input type="checkbox"/> CRH Shower Curtain, Rod and Hooks <input type="checkbox"/> NONE No Shower Curtain, Rod or Hooks
Grab Bar Type (select one) <input type="checkbox"/> GB L-Shaped 2-Wall Grab Bar <input type="checkbox"/> NONE No Grab Bar
Hardware Type (select one) <input type="checkbox"/> SC Standard Screws <input type="checkbox"/> VS Vandal Resistant Screws

*TTPA and TTPB valves require a low-voltage UL/CSA listed 120VAC/12VDC plug-in adapter.

** Hand shower is 1.5GPM (95.7LPM)

† Included with EF, EFT1, HD, HDT1, TMV and TMVT1 valves.

‡ Only available on S15 and S20 showerheads.

§ Only available with HS selection.

Verify all rough-in dimensions prior to installation.

Consult local and national codes: conformity and compliance to local and national codes is the responsibility of the installer.

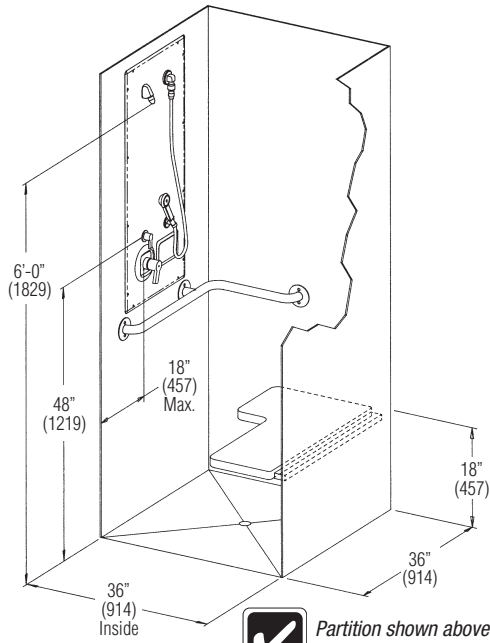
2.5 GPM showerhead flow rate does not meet California Energy Commission 20 CCR T.20, Div. 2, 1601-1609.



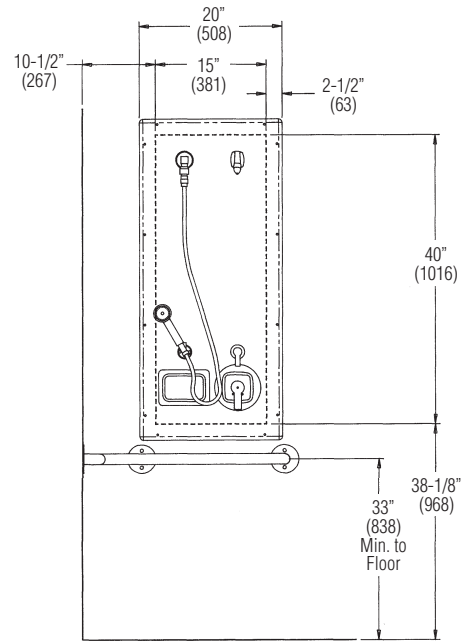
Dimensions for ADA Compliance

Shower Panel/Grab Bar Rough-In

(mm)



Partition shown above not included as standard equipment.



Valve Left/Seat Right Configuration

Valve Right/Seat Left Configuration

