



WS-1WCA Individual Coverall Wall Shower

- Quick, Easy Installation
- Completely Preassembled Wall Shower Unit

Specifications

Materials

Shower panel is type 304 stainless steel. All other exposed parts are stainless steel or chrome-plated brass. Valve bodies are brass casting. Supply inlets are flexible stainless steel hoses.

Standard Equipment

Shower Panel

Constructed of 18 gauge stainless steel. Shower panel top and bottom covers are sloped, and constructed of 16 gauge stainless steel.

Valve Type as Selected

For more information on each valve type, please visit the Shower Valves product section at www.bradleycorp.com.

Soap Dish

Standard soap dish option (SD) is a cake soap tray formed from heavy-gauge stainless steel with satin finish. Mounted to shower panel.

Recessed soap dish option (RSD) is fabricated of type 304 stainless steel with seamless corners and burr-free edges. Overall dimensions: 7-1/8" W x 5-1/16"H x 2-3/4"D. Mounted in shower panel.

Showerhead

Standard fixed direction adjustable spray showerhead (S15).

Flow Control

A 1.5 GPM (5.7 LPM) flow control is standard. Actual flow may vary, but will not exceed 2.0 GPM (7.6 LPM) Max.

Supply Inlets

Supply inlets are flexible, stainless steel hoses with 1/2 NPT connections. Inlets are accessible through the back of the shower or through knockouts in the top and bottom covers.



WS-1WCA

Optional Selections

Volume Control Type (select one)†

- AKV** Allen Key Volume Control
- LHV** Lever Handle Volume Control
- NONE** No Volume Control

Ball Joint Type (select one)†

- LBJ** Lockable Ball Joint
- NONE** No Ball Joint

Supply Stop Type (select one)

- ST** Stops in Supply for Valves
- NONE** No Supply Stops

Soap Type (select one)

- SD** Standard Soap Dish
- RSD** Recessed Soap Dish
- NSD** No Soap Dish

Shroud Type

- SHV** Vertical Shrouds (floor to ceiling height _____ ft. _____ in.)*
- SHH** Horizontal Shroud (per 3' section)*‡
- NONE** No Shroud

Hardware Type (select one)

- SC** Standard Screws
- VS** Vandal Resistant Screws

*Non-cancelable, non-returnable

**TTPA and TTPB valves require a low-voltage UL/CSA listed 120VAC/12VDC plug-in adapter.

†Only available on S15 and S20 showerheads.

‡Submittal drawing required.

Verify all rough-in dimensions prior to installation.

Consult local and national codes: conformity and compliance to local and national codes is the responsibility of the installer.

2.0 GPM and 2.5 GPM showerhead flow rate does not meet California Energy Commission 20 CCR T.20, Div. 2, 1601-1609.

Standard Selections (Must select one from each category)

Showerhead Height

- 6'-0"** Standard Height
- 5'-6"** Juvenile Height

Valve Type (select one)

Hot/Tempered and Cold Supplies

- EF** Equa-Flo Pressure Balancing Valve
- HD** Equa-Flo HD Pressure Balancing Valve
- TMV** Thermostatic Mixing Valve
- HC** Hot and Cold Compression Valve*

Single Tempered/Cold Supply

- PM** Presto 50B Mechanical Metering Valve
- AST** Air Pushbutton
- SV** Single Compression Valve
- TTPA** TouchTime Pushbutton**
- TTPB** TouchTime Piezo Switch**

Showerhead Type

- S15** Standard Showerhead (Flow Rate = 1.5 GPM/5.7 LPM)
- SX15** Severe Service Showerhead (Flow Rate = 1.5 GPM/5.7 LPM)
- S20** Standard Showerhead (Flow Rate = 2.0 GPM/7.6 LPM)
- SX20** Severe Service Showerhead (Flow Rate = 2.0 GPM/7.6 LPM)
- SF** Deluxe Showerhead w/ Ball Joint (Flow Rate = 1.5 GPM/5.7 LPM)
- ES** Economy Soft Flow w/ Ball Joint (Flow Rate = 2.0 GPM/7.6 LPM)
- J** Multi-Jet Showerhead w/ Ball Joint (Flow Rate = 1.5GPM/5.7 LPM)
- LX** Luxury Showerhead w/ Ball Joint (Flow Rate = 1.5GPM/5.7 LPM)
- B** Axis Showerhead w/ Ball Joint (Flow Rate = 1.5GPM/5.7 LPM)

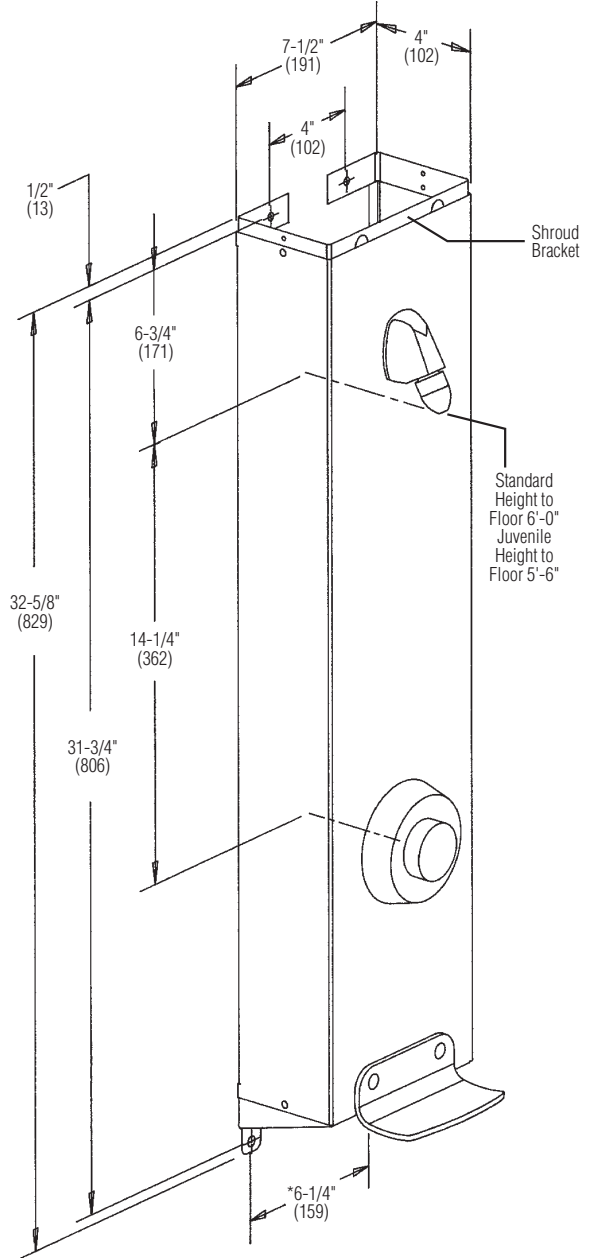
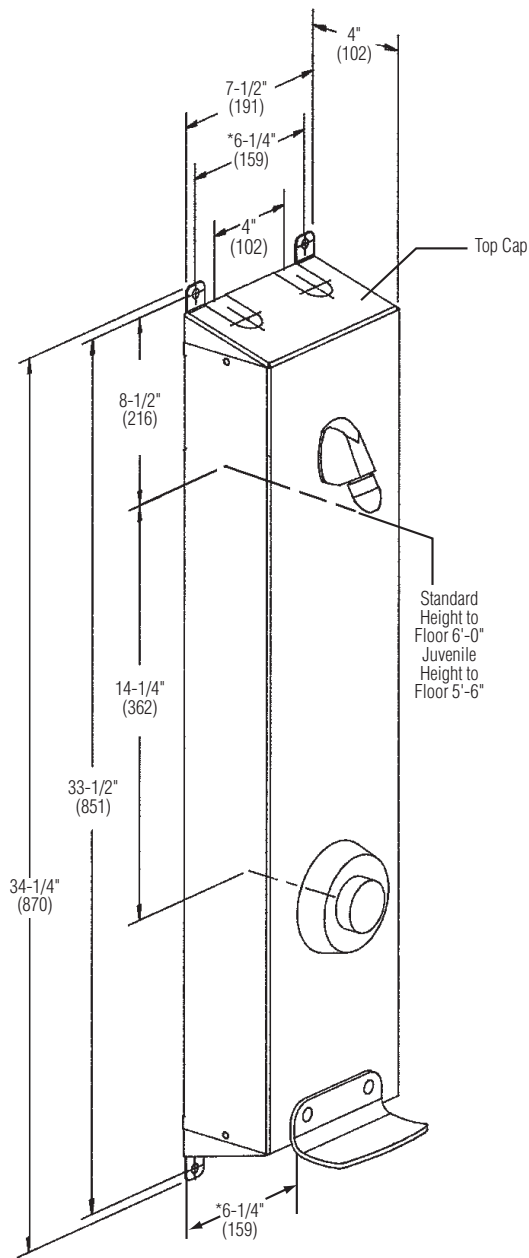


WS-1WCA Individual Coverall Wall Shower

Dimensions

With Optional Vertical Shroud

(mm)



* Typical of both top and bottom cover plate mounting tab.