



# WS-1WCA-ADA Individual Coverall Wall Shower-ADA Compliant

- Quick, Easy Installation
- Completely Preassembled Wall Shower Unit
- Ideal for Barrier-Free Shower Rooms

## Specifications

### Materials

Shower panel is type 304 stainless steel. All other exposed parts are stainless steel or chrome-plated brass. Valve bodies are brass casting. Supply inlets are flexible stainless steel hoses.

## Standard Equipment

### Shower Panel

Constructed of 18 gauge stainless steel. Shower panel top covers are sloped, and constructed of 16 gauge stainless steel.

### Valve Type as Selected

For more information on each valve type, please visit the Shower Valves product section at [www.bradleycorp.com](http://www.bradleycorp.com)

### Flow Control

A 1.5 GPM (5.7 LPM) flow is standard. Actual flow may vary, but will not exceed 2.0 GPM (7.6 LPM) Max.

### Supply Inlets

Supply inlets are 24" flexible, stainless steel hoses with 1/2" NPT connections. Inlets are accessible through the back of the shower or through knockouts in the top covers.

### Hand Shower

Consisting of hand shower with on-off control, a 60" stainless steel flexible hose and post style mounting brackets to hold to shower panel. Elevated in-line backflow preventer with quick-disconnect for flexible hose.

## Code Compliance and Certification



*When installed properly, the WS-1WCA-ADA is designed to comply with all known ADA guidelines on reaches, clearances, and operation. Check local applicable codes for dimensional compliance.*

### Standard Selections (Must select one)

#### Showerhead Height (select one)

- 6'-0" Standard Height

#### Valve Type (select one)

##### Hot/Tempered and Cold Supplies

- EF** Equa-Flo Pressure Balancing Valve  
 **HD** Equa-Flo HD Pressure Balancing Valve  
 **TMV** Thermostatic Mixing Valve

##### Single Tempered/Cold Supply

- AST** Air Pushbutton  
 **SVL** Single Compression Valve with Lever Handle  
 **TTPA** TouchTime Pushbutton\*\*  
 **TTPB** TouchTime Piezo Switch\*\*



WS-1WCA-ADA

## Optional Selections

### Supply Stop Type (select one)

- ST** Stops in Supplies  
 **NONE** No Supply Stops

### Shower Seat Type (select one)

- RSS** Reversible Phenolic Shower Seat (Not a Transfer Seat)  
 **NONE** No Shower Seat

### Grab Bar Type (select one)

- GB1** Grab Bar - 24" Straight  
 **GB2** Grab Bar - 2-Wall  
 **NONE** No Grab Bar

### Slide Bar Type (select one)

- SB** Slide Bar  
 **NONE** No Slide Bar (Standard)

### Shroud Type

- SHV** Vertical Shrouds (floor to ceiling height \_\_\_\_\_ ft. \_\_\_\_\_ in.)\*  
 **SHH** Horizontal Shroud (per 3' section)\*†  
 **NONE** No Shroud

### Hardware Type (select one)

- SC** Standard Screws  
 **VS** Vandal Resistant Screws

\*Non-cancelable, non-returnable

\*\*TTPA and TTPB valves require a low-voltage UL/CSA listed 120VAC/12VDC plug-in adapter.

† Submittal drawing required.

Verify all rough-in dimensions prior to installation.

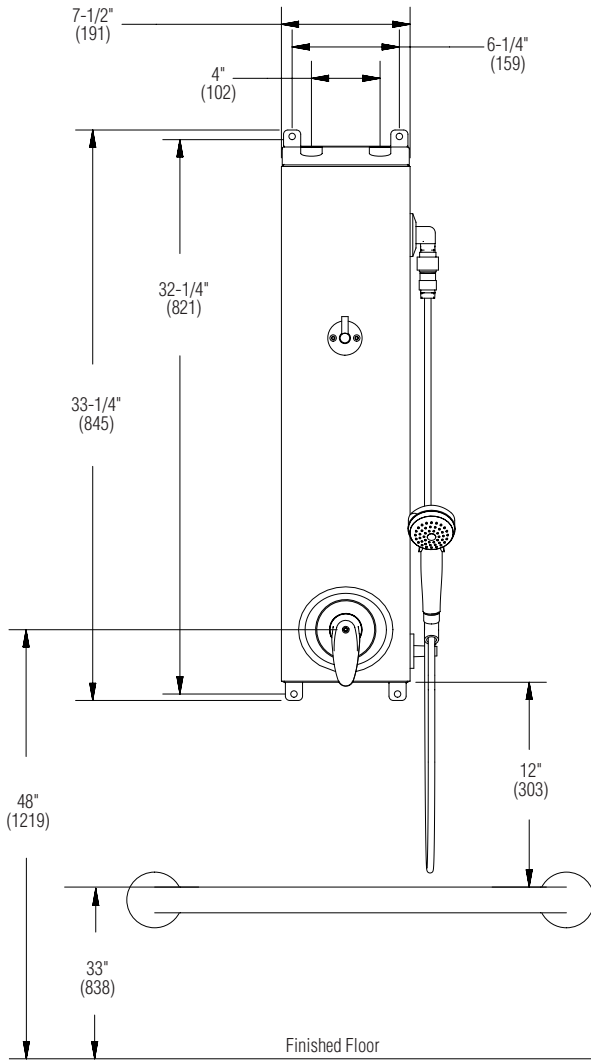
Consult local and national codes: conformity and compliance to local and national codes is the responsibility of the installer.

2.0 GPM and 2.5 GPM showerhead flow rate does not meet California Energy Commission 20 CCR T.20, Div. 2, 1601-1609.



# WS-1WCA-ADA Individual Coverall Wall Shower-ADA Compliant

## Dimensions for Shower



## Dimensions for Shower with Optional Vertical Shroud

(mm)

