



- Converts Existing In-Wall Hot and Cold Compression Valves to Pressure-Balancing or Mechanical Metering Control
- Comes Complete with Supply Inlets, Valves and Stainless Steel Shell
- Hydrostatically Tested to 150 PSI



If adapters are required, an actual existing valve stem must be included with the order to make the correct adapters. When possible, also indicate the make and model of the current valve.

Specifications

Materials

Shower panel is 18 gauge type 304 stainless steel polished to a #4 finish. All other exposed parts are stainless steel or chrome-plated brass. Valves and adapters are brass casting. Supply inlets are flexible stainless steel hoses.

Standard Equipment

Shower Panel

Shower panel, and top and bottom covers constructed of 18 gauge stainless steel polished to a #4 finish. Stainless steel soap dish mounted to panel.

Valve Type as Selected

For more information on each valve type, please enter the model number in the search box at www.bradleycorp.com

Showerhead

Standard fixed direction adjustable spray showerhead (S15).

Flow Control

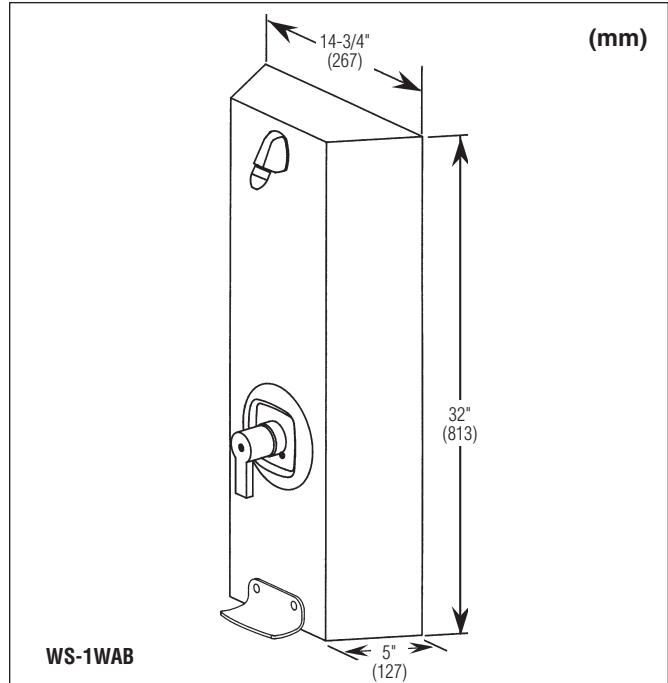
A 1.5 GPM (5.7 LPM) flow control is standard. Actual flow may vary, but will not exceed 2.0 GPM (7.6 LPM) Max.

Individual Stops

Individual stops for valves are standard.

Supply Inlets

Supply inlets are flexible, stainless steel hoses with 1/2" NPT connections. Inlets are accessible through the back of the shower.



Standard Selections (Must select one from each category)	
Valve Type (select one) <i>Hot/Tempared and Cold Supplies</i>	
<input type="checkbox"/> EF	Equa-Flo Pressure Balancing Valve
<input type="checkbox"/> HD	Equa-Flo Pressure-Balancing Valve
<input type="checkbox"/> TMV	Thermostatic Mixing Valve
<input type="checkbox"/> AST	Air Pushbutton Valve
Showerhead Type	
<input type="checkbox"/> S15	Standard Showerhead (Flow Rate = 1.5 GPM/5.7 LPM)
<input type="checkbox"/> SX15	Severe Service Showerhead (Flow Rate = 1.5 GPM/5.7 LPM)
<input type="checkbox"/> S20	Standard Showerhead (Flow Rate = 2.0 GPM/7.6 LPM)
<input type="checkbox"/> SX20	Severe Service Showerhead (Flow Rate = 2.0 GPM/7.6 LPM)
<input type="checkbox"/> SF	Deluxe Showerhead w/ Ball Joint (Flow Rate = 1.5 GPM/5.7 LPM)
<input type="checkbox"/> ES	Economy Soft Flow w/ Ball Joint (Flow Rate = 2.0 GPM/7.6 LPM)
<input type="checkbox"/> J	Multi-Jet Showerhead w/ Ball Joint (Flow Rate = 1.5GPM/5.7 LPM)
<input type="checkbox"/> LX	Luxury Showerhead w/ Ball Joint (Flow Rate = 1.5GPM/5.7 LPM)
<input type="checkbox"/> B	Axis Showerhead w/ Ball Joint (Flow Rate = 1.5GPM/5.7 LPM)

*Non-cancelable, non-returnable

**Only available on S15 and S20 showerheads.

Verify all rough-in dimensions prior to installation.

Consult local and national codes: conformity and compliance to local and national codes is the responsibility of the installer.

2.5 GPM showerhead flow rate does not meet California Energy Commission 20 CCR T.20, Div. 2, 1601-1609.

Optional Selections	
Volume Control Type (select one)**	
<input type="checkbox"/> AKV	Allen Key Volume Control
<input type="checkbox"/> LHV	Lever Handle Volume Control
<input type="checkbox"/> NONE	No Volume Control
Ball Joint Type (select one)**	
<input type="checkbox"/> LBJ	Lockable Ball Joint
<input type="checkbox"/> NONE	No Ball Joint
Supply Stop Type (included w/ EF, HD and TMV valves) (select one)	
<input type="checkbox"/> ST	Stops in Each Supply
<input type="checkbox"/> NONE	No Supply Stops
Soap Dish Type (select one)	
<input type="checkbox"/> SD	Wall-Mounted Soap Dish
<input type="checkbox"/> RSD	Recessed Soap Dish
<input type="checkbox"/> NONE	No Soap Dish
Shroud Type (select one)	
<input type="checkbox"/> SHV	Vertical Shroud (floor to ceiling height _____ ft. _____ in.)*
<input type="checkbox"/> SHH	Horizontal Shroud (per 3' section)*
<input type="checkbox"/> NONE	No Shroud