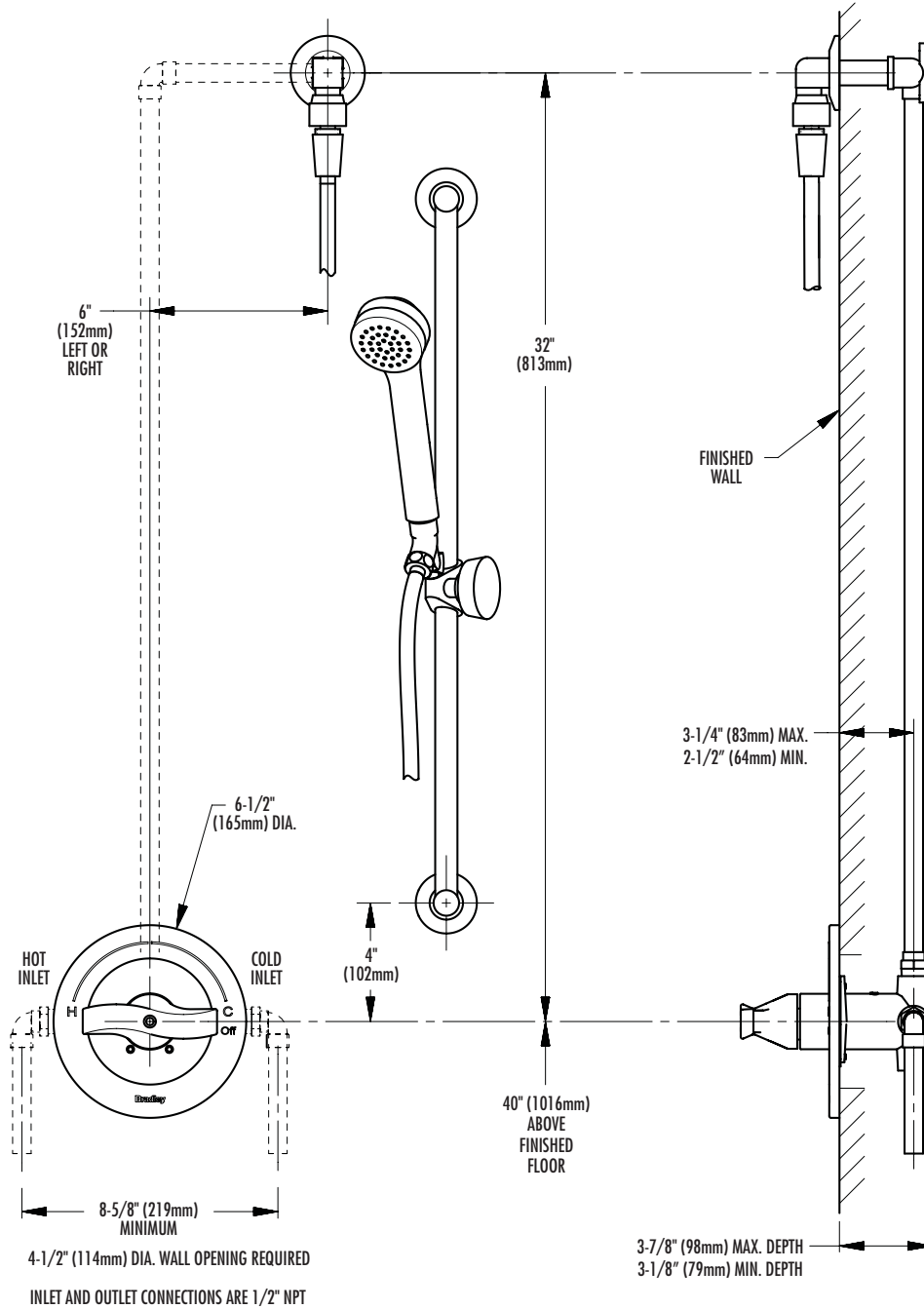


# Rough-In for Equa-Flo and Thermostatic In-Wall Showers

## Models 1C-EF, 1C-C5, 1C-HD, 1C-TMV



HAND SHOWER ONLY

Document No. 5590

This information is subject to change without formal notice.  
© 2007 Bradley Corporation  
2-16-2007 (1 Page Total)

**Bradley** 

P.O. Box 309, Menomonee Falls, WI 53052-0309  
Phone 1-800-BRADLEY FAX 262-251-5817  
Web Site: <http://www.bradleycorp.com>