

Installation and Maintenance Instructions

Bradley 1C AZ Individual Built-In Wall Shower with Concealed Supplies

Read and save this manual, which
contains maintenance and repair
information, for future reference.



About Your Bradley 1C AZ Shower

You have made a smart economical choice by purchasing a Bradley 1 C In-Wall Shower with Accu-Zone™.

The 1 C AZ Shower controls water flow with Accu-Zone™, which has a patented infrared technology to electronically open and close a solenoid valve. Two zone focused infrared transmitting beams create a large detection area to easily activate the shower. The shower is activated when the shower user's hand passes in front of the Accu-Zone™ sensor.

Bradley 1 C showers can be installed at any height (see recommended heights below).

Recommended Shower Heights

| Age | Male | Female |
|-----------|--------------|--------------|
| Adult | 6'0" (1.83m) | 5'6" (1.68m) |
| Teenage | 6'0" (1.83m) | 5'6" (1.68m) |
| Pre-teens | 5'6" (1.68m) | 5'6" (1.68m) |

(Finished floor to showerhead tip)

Bradley 1 C AZ In-Wall Showers are durably built for long-lasting and dependable use.

Important Operating Information

The 1 C AZ In-Wall Shower is activated when the shower user's hand passes in front of the Accu-Zone™ sensor. A wave of a hand in front of the sensor activates the shower for 30-45 seconds.

1 C AZ Shower Components

Material: All exposed parts are stainless steel or polished chrome-plated brass.

Supply Inlet: The supply inlet to solenoid valve is 1/2" IPS.

Solenoid Valve: Solenoid valves are virtually unaffected by the chemicals and minerals often present in municipal water supplies. Solenoids also have few moving parts making them less prone to mechanical failure.

WARNING: Your 1 C AZ Shower must be connected with a 24 VAC transformer. Connection to 110 VAC will result in damage to the sensor and could result in personal injury.

What You Need to Provide for Installation

Your Bradley 1 C AZ Shower comes complete with all the components needed for installation; however, tools and some supplies must be furnished by you.

Tools Recommended:

- Tools needed to rough-in supply piping
- Tools needed to make a 4-1/4" square opening in wall
- Tools needed to install shower components in wall

Supplies Required:

- 1/2" IPS tempered water supply piping and fittings
- 1/2" IPS piping
- 4" x 4" conduit box
- Teflon tape or teflon pipe dope
- 110 VAC power source for 24 VAC Class II transformer
- 11 0/24 VAC Class II transformer (available from Bradley as an option)

Table of Contents

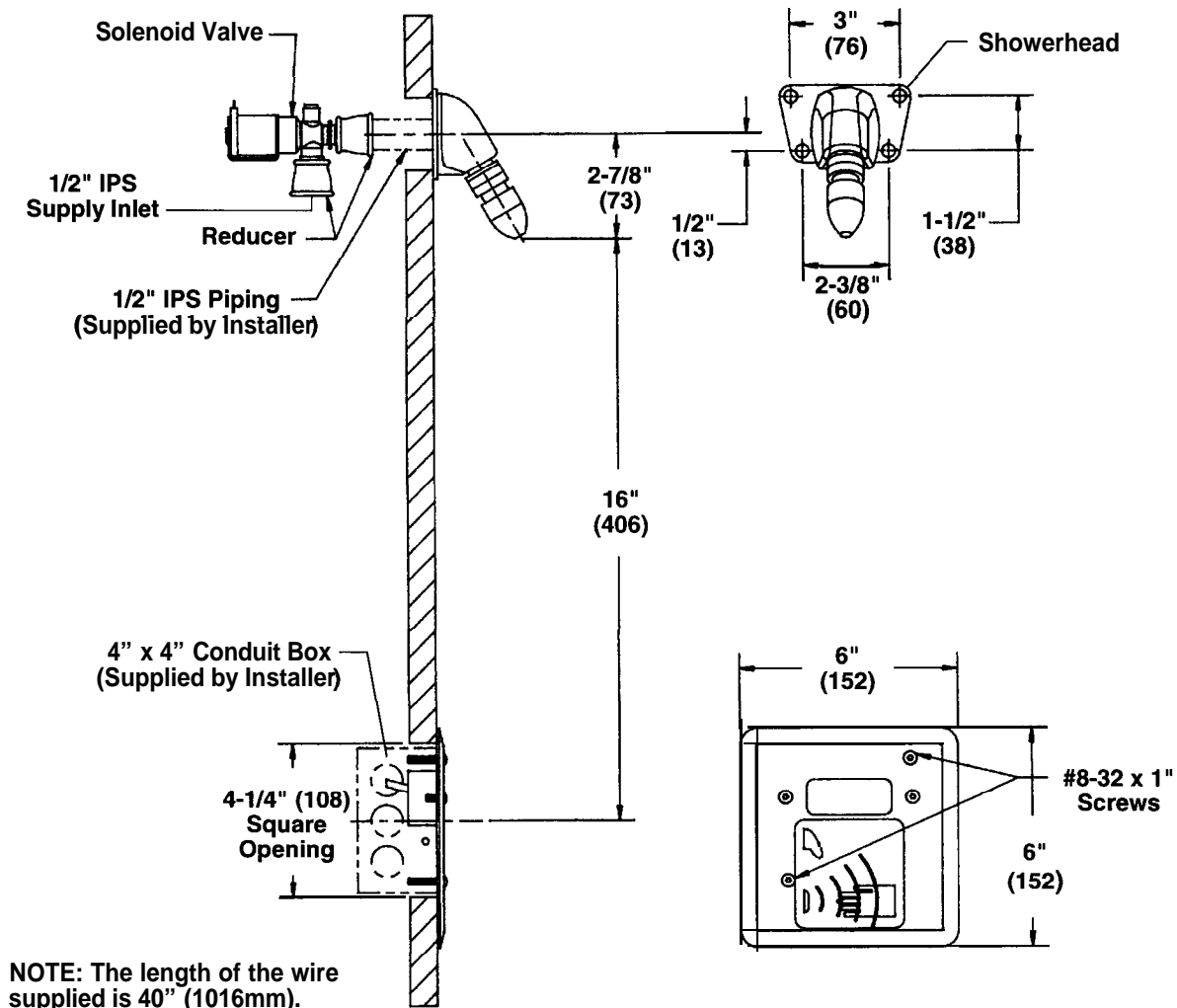
| | |
|-------------------------------------------------------------------------------|---|
| Roughing-In Supply and Installing 1 C AZ Shower Components - Stage 1 | 3 |
| Making Electrical Connections - Stage 2 | 4 |
| Completing Installation - Stage 3 | 5 |
| 1 C AZ Repair Parts | 5 |
| Care and Cleaning of Stainless Steel | 6 |
| 1 C AZ Shower Warranty Information | 6 |

Roughing-In Supply and Installing 1C AZ Shower Components- Stage 1

Steps

1. Rough-in tempered water supply piping to the solenoid valve as required for your installation (see Figure 1 for shower dimensions).
2. Rough-in wall openings for the showerhead and junction box as required for your installation (see Figure 1).
3. Continue with "Making Electrical Connections - Stage 2" on page 4.

(MM)



*Recommended Shower Heights

| Age | Male | Age | Female |
|-----------|--------------|-----------|--------------|
| Adult | 6'0" (1.83m) | Adult | 5'6" (1.68m) |
| Teenage | 6'0" (1.83m) | Teenage | 5'6" (1.68m) |
| Pre-teens | 5'6" (1.68m) | Pre-teens | 5'6" (1.68m) |

* (Finished floor to showerhead tip)

Figure 1

Making Electrical Connections- Stage 2

WARNING: Your 1 C AZ Shower MUST be connected with a 24 VAC Class II transformer. Connection to 110 VAC will result in damage to the sensor and could result in personal injury.

Steps

1. Install a 24 VAC Class II transformer in a remote location a safe distance from the shower room. **DO NOT** put the 24 VAC Class II transformer in the shower room. **Check local codes and ordinances for proper location and connection requirements. Conformity to local codes is the responsibility of the installer.**
2. Connect the wires between the sensor and solenoid valve as shown in Figure 2.
3. Verify that the electrical source to fixture is 24 VAC
4. With the power source turned off, connect the transformer wires to the back of the sensor and to the solenoid valve as shown in Figure 2. Use **electrical connectors which conform to local codes. Conformity to local codes is the responsibility of the installer.** **NOTE:** If additional wire is needed, use 18 gauge two conductor lamp cord (supplied by installer) per local code.
5. **DO NOT** turn 24 VAC power on to your shower until installation is complete.

WARNING: Connection of leads other than shown may cause permanent damage to the sensor.

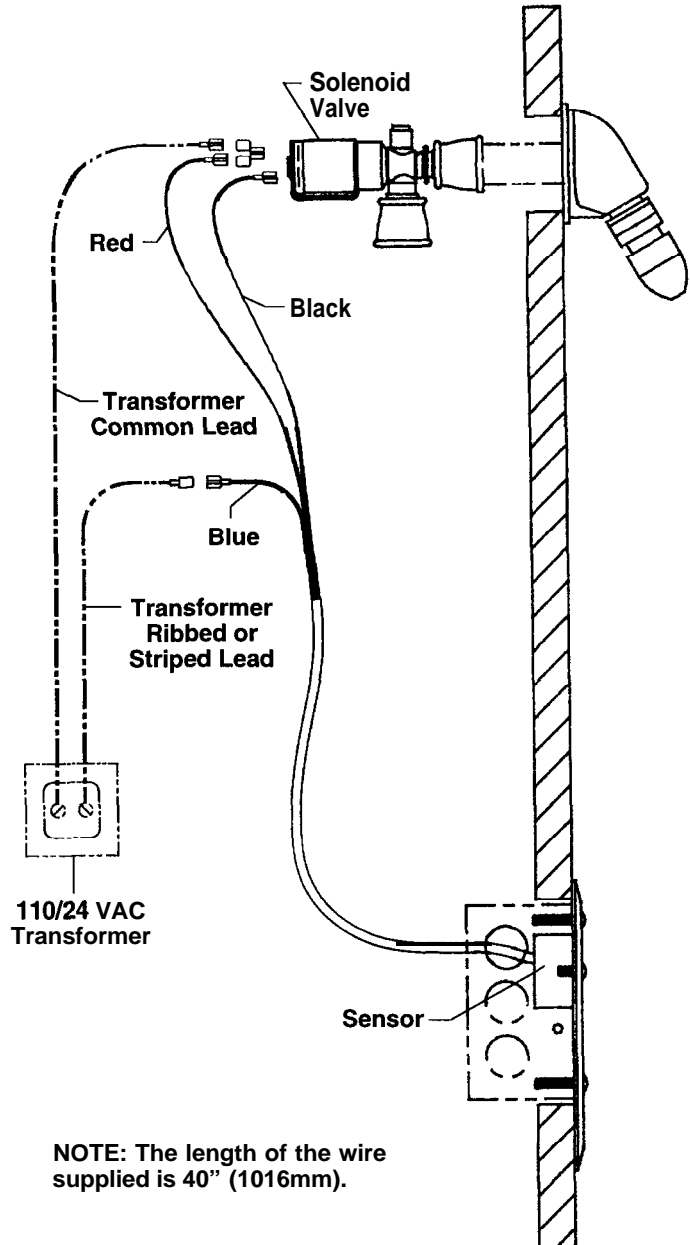


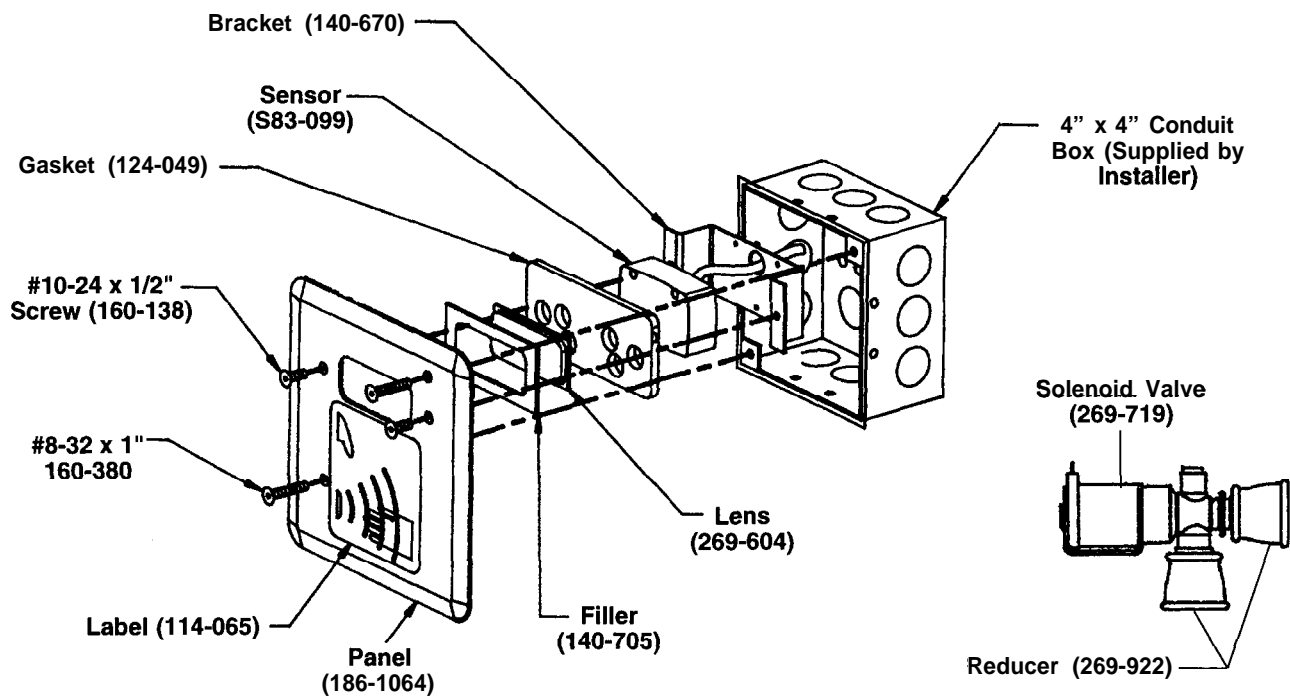
Figure 2

Completing Installation - Stage 3

Steps

1. Secure the showerhead to the wall using the screws provided.
2. Secure the Accu-Zone™ sensor panel to the junction box with the #8-32 x 1" screws provided.
3. Turn on the water supply to your 1 C AZ shower and check for leaking.
4. Turn on the 24 VAC power to shower and pass your hand in front of the sensor several times to purge air from lines.

1 C AZ Repair Parts



Care and Cleaning of Stainless Steel

Periodic and frequent cleaning will greatly prolong the service life of stainless steel equipment and, at the same time, maintain a bright surface of pleasing appearance. The amount and frequency of cleaning depends on service conditions involved.

Follow these suggestions:

1. **CLEANLINESS IS OF UTMOST IMPORTANCE:** Ordinary deposits of dirt and grease are quickly removed with soap and water. Whenever possible, the metal should be thoroughly rinsed and dried after washing. To get rid of tightly adhering deposits, use stainless steel polishing powder. In all cases, rubbing should be in the direction of polishing lines.

WARNING: Never use ordinary steel wool or steel brushes on stainless steel. Always use stainless steel wool or stainless steel brushes.

2. **DO NOT PERMIT SALTY SOLUTIONS TO EVAPORATE** and dry on stainless steel.
3. **RUST:** Sometimes the appearance of rust streaks on stainless steel leads to the belief that the stainless steel is rusting. Look for the source of the rust in some iron or steel not actually a part of the stainless steel structure. A steel nail or screw may cause the trouble. **NOTE:** Strongly acidic or caustic cleaners may attack the steel causing a reddish film to appear. The use of these cleaners should be avoided.

Showerhead Cleaning

If the showerhead delivers an uneven spray, remove the showerhead from the unit, disassemble, and remove foreign matter. Then reassemble showerhead and reinstall into unit.

1C AZ Shower Warranty Information

Bradley Corporation warrants to commercial and institutional purchasers only each unit free from defects in material and workmanship under normal use and service upon the following terms and conditions:

1. This warranty is limited to replacing or repairing, at our option, transportation charges prepaid by the purchaser, any Bradley unit or part thereof which our inspection shall show to have been defective within the limitations of this warranty.
2. The period during which 1C AZ Shower components are warranted is one (1) year, measured from the date of our invoice.
3. This warranty does not cover installation or any other labor charges and does not apply to any units which have been damaged by accident, abuse, improper installation or improper maintenance.
4. The replacement or repair of defective units as stated in this warranty shall constitute the sole remedy of the purchaser and the sole liability of Bradley Corporation under this warranty. Bradley Corporation shall not otherwise be liable under any circumstances for incidental, consequential or indirect damages caused by defects in the repair or replacement thereof.
5. This warranty extends only to commercial and institutional purchasers and does not extend to any others, including consumer customers of commercial and institutional purchasers.
6. THIS WARRANTY IS IN LIEU OF ALL OTHER WARRANTIES, EXPRESS OR IMPLIED, INCLUDING ANY IMPLIED WARRANTY OF MERCHANTABILITY OR FITNESS FOR A PARTICULAR PURPOSE OR OTHERWISE.