
Installation Instructions

S67-505

**Push Button Metering Air
Valve For 2W AST
Econowall Shower**

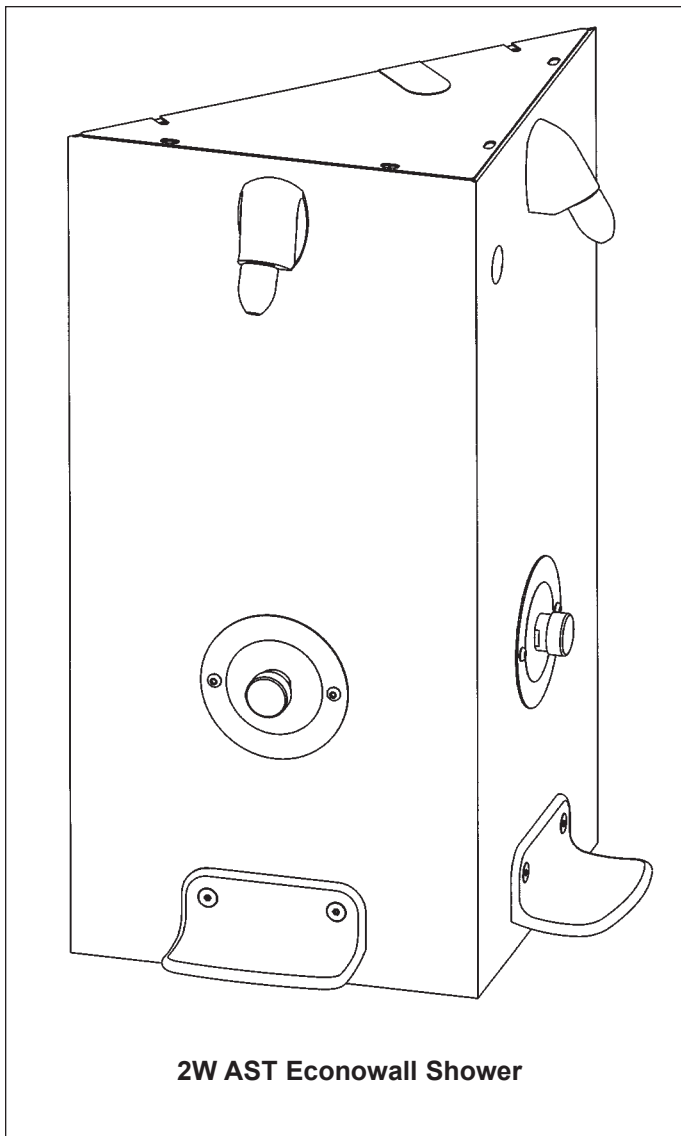


Table of Contents

Pre-Installation Information	2
Metering Air Valve Repair parts	3
Metering Air Valve Troubleshooting	4

 **IMPORTANT**

**Read this entire installation manual
to ensure proper installation.**

**Flush all water supply lines before
making connections.**

**File these instructions with the
owner or maintenance department.**

Pre-Installation Information

Overview

The Push Button Air Valve, when installed onto Bradley's 2W AST Econowall shower, controls water flow through the use of pneumatic metering. When the push button is released, the valve is activated, which then delivers water to the fixture for a preset length of time.

Components

Supply Inlet: The supply inlet to the metering valve is 3/4" IPS.

Supplies required for installation of valve and shower

- 3/4" IPS tempered water supply piping and fittings
- 3/4" IPS piping
- 1/4"-20 wall anchors and fasteners
- Teflon pipe sealant

NOTE: See Instruction Sheet 215-290 for rough-in and installation information.

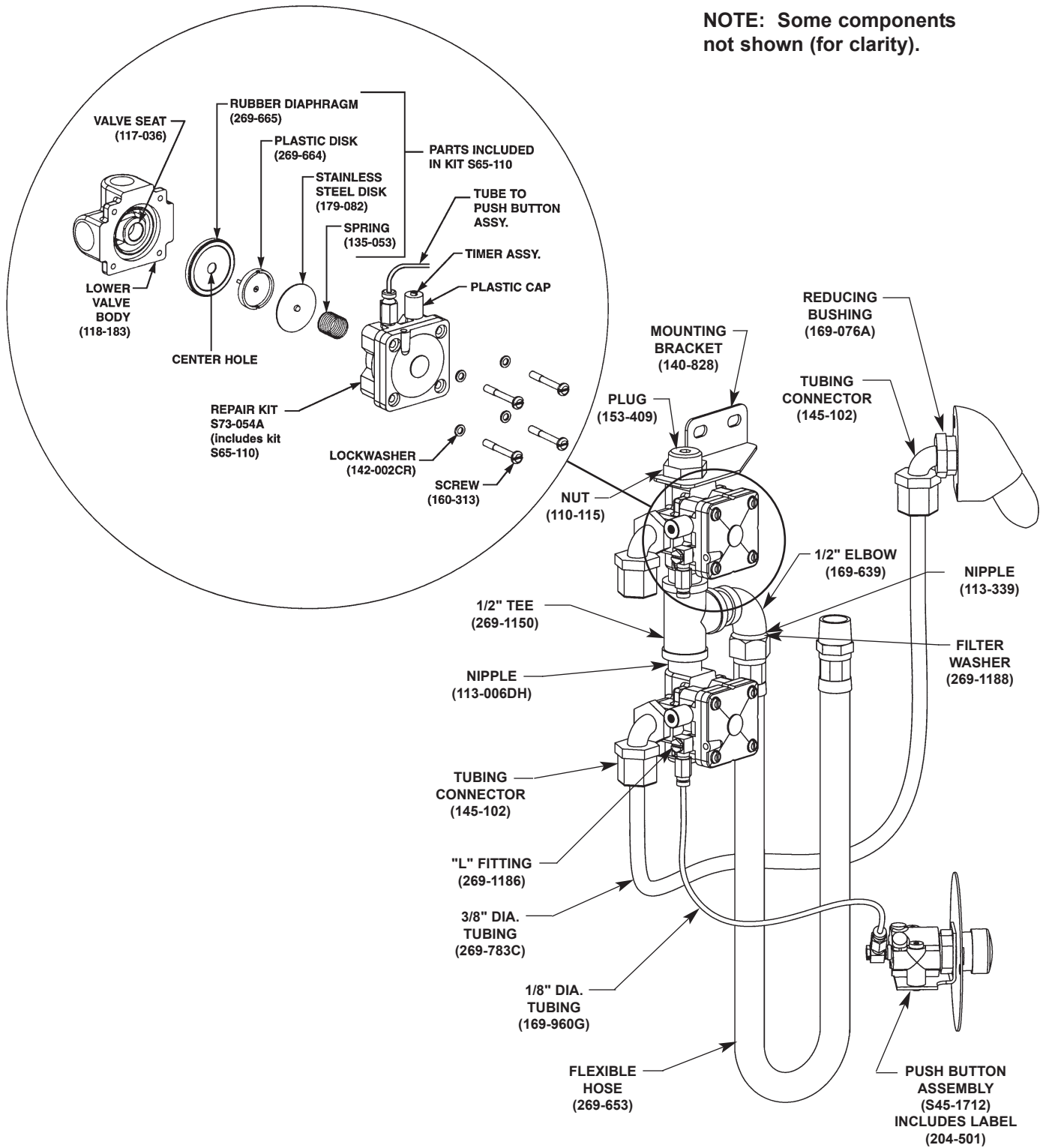
Bradley Metering Valve Shower Warranty

Bradley Corporation warrants to commercial and institutional purchasers only each unit free from defects in material and workmanship under normal use and service upon the following terms and conditions:

1. This warranty is limited to replacing or repairing, at our option, transportation charges prepaid by the purchaser, any Bradley unit or part thereof which our inspection shall show to have been defective within the limitations of this warranty.
2. The period during which shower valve components are warranted is one (1) year, measured from the date of our invoice.
3. This warranty does not cover installation or any other labor charges and does not apply to any units which have been damaged by accident, abuse, improper installation or improper maintenance.
4. The replacement or repair of defective units as stated in this warranty shall constitute the sole remedy of the purchaser and the sole liability of Bradley Corporation under this warranty. Bradley Corporation shall not otherwise be liable under any indirect damages caused by defects in the repair or replacement thereof.
5. This warranty extends only to commercial and institutional purchaser and does not extend to any others, including consumer customers of commercial institutional purchasers.
6. This warranty is in lieu of all other warranties, expressed or implied, including any implied warranty of merchantability or fitness for a particular purpose or otherwise.

Metering Air Valve Repair Parts (for 2W AST Econowall Shower)

NOTE: Some components not shown (for clarity).



Metering Air Valve Troubleshooting

Problem: Water is dripping from the showerhead.

Cause: Debris on valve seat or orifices.

Solution: Clean and inspect the valve seat.

1. Remove screws and disassemble metering valve, leaving the plastic upper body firmly snapped together.
2. Clean the valve seat and inspect for deep gouges or scratches. Replace if necessary.
3. Remove all debris that may be clogging center hole of plastic diaphragm assembly.
4. Remove any debris clogging the off-center hole in the rubber diaphragm.

Problem: Valve will not shut off.

Cause: Timing mechanism is clogged.

Solution: Clean timing mechanism:

1. Remove the entire timer assembly from the valve body. If the valve shuts off immediately, the problem is in the timer assembly. If the valve does not shut off immediately, the problem is due to debris in the valve seat or orifice.
2. If compressed air is available, blow water and debris from perforated metal sleeve of timing mechanism.
3. Reinstall the timer assembly into the valve body.
4. Turn the adjusting screw in all the way but do not force screw.
5. Turn adjusting screw out to desired cycle time.

Cause: There is an air leak

Solution: Check assembly:

1. Check all tubing and fittings for proper assembly.
2. Tighten all screws which hold valve together.

Problem: Timing can not be adjusted for more than 5 seconds.

Cause: There is an air leak

Solution: Check assembly:

1. Check all tubing and fittings for proper assembly.
2. Tighten all screws which hold valve together.

Problem: Push button does not work properly.

Cause: Air volume may not be sufficient to operate valve.

Solution: Check for leaks and lubricate U-cup:

1. Check all fittings for air leaks.
2. Disassemble push button and lubricate U-cup seal (see push button assembly diagram).

