

# Installation Instructions

## Single Compression Valve for 1C/HN300 Built-In Showers with Concealed Supplies

### S67-379 Single Compression Valve (SV)

### S67-507 Single Compression Valve with Lever Handle (SVL)

#### Table of Contents

Installation Instructions .....	2
Rough-In Dimensions for Single Valve (SV) .....	3
Rough-In Dimensions for Single Valve with Lever Handle (SVL) .....	4

#### Single Compression Valve Warranty

Bradley Corporation warrants to commercial and institutional purchasers only each unit free from defects in material and workmanship under normal use and service upon the following terms and conditions:

1. This warranty is limited to replacing or repairing, at our option, transportation charges prepaid by the purchaser, any Bradley unit or part thereof which our inspection shall show to have been defective within the limitations of this warranty.
2. The period during which In-Wall Shower components are warranted is one (1) year, measured from the date of our invoice.
3. This warranty does not cover installation or any other labor charges and does not apply to any units which have been damaged by accident, abuse, improper installation or improper maintenance.
4. The replacement or repair of defective units as stated in this warranty shall constitute the sole remedy of the purchaser and the sole liability of Bradley Corporation under this warranty. Bradley Corporation shall not otherwise be liable under any circumstances for incidental, consequential or indirect damages caused by defects in the repair or replacement thereof.
5. This warranty extends only to commercial and institutional purchasers and does not extend to any others, including consumer customers of commercial and institutional purchasers.
6. This warranty is in lieu of all other warranties, express or implied, including any implied warranty of merchantability or fitness for a particular purpose or otherwise.



P.O. Box 309, Menomonee Falls, WI 53052-0309  
 TEL. 1-800-BRADLEY FAX 262-251-5817  
<http://www.bradleycorp.com>

## Installation Instructions

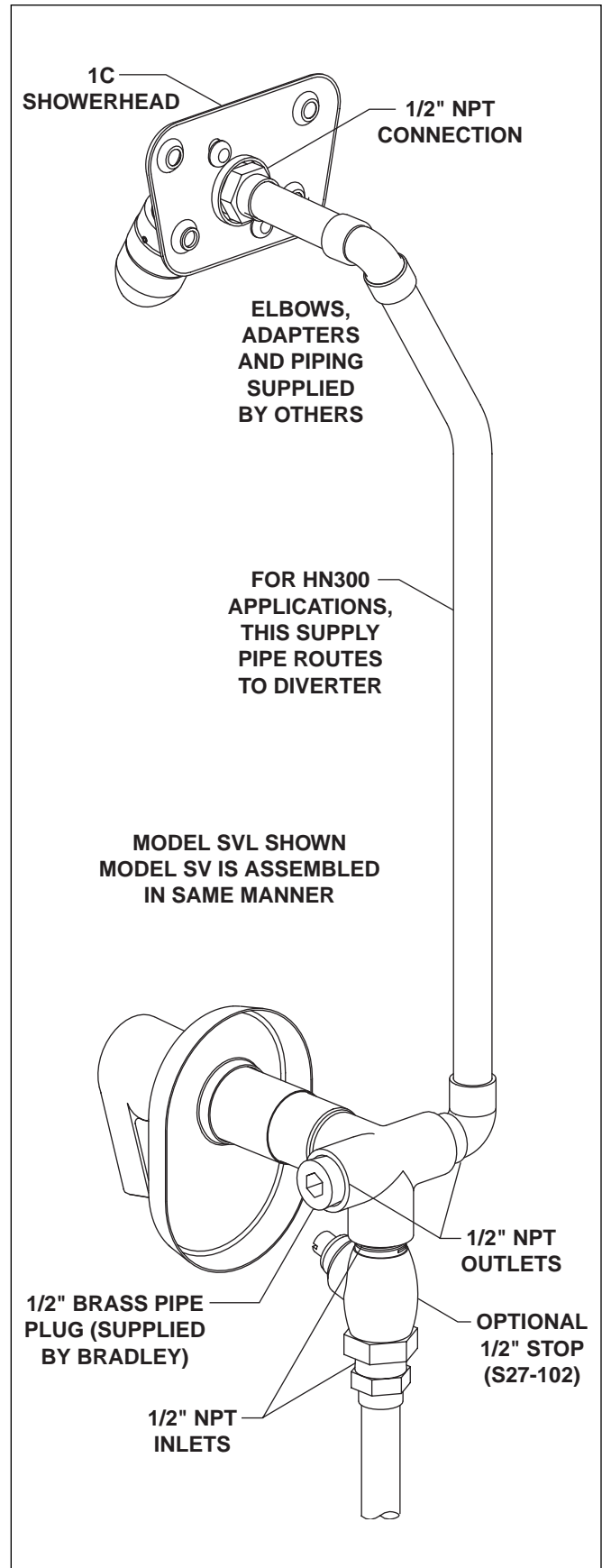
*NOTE: Flush the supply line before making connection.*

1. Rough in valve at required height into wall per rough-in dimensions supplied on pages 3 or 4. Note that rough-in depths vary depending on valve type [Single Valve (SV) or Single Valve with Lever Handle (SVL)].
2. Connect valve to supply line and showerhead or diverter per Figure 1. Valve must be held in place using rigid piping.
3. Attach escutcheon, sleeve and handle to valve after wall is finished.

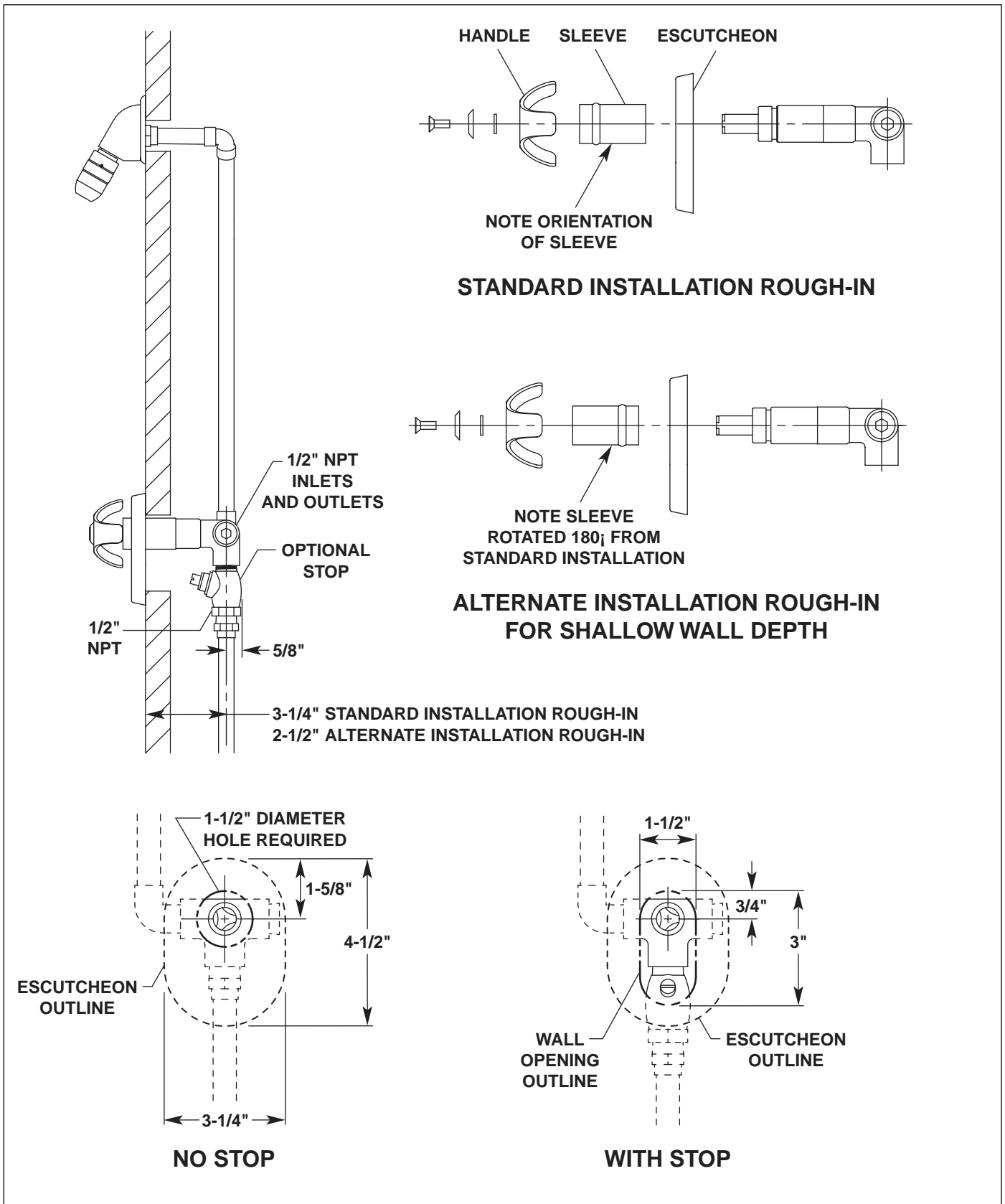
See the following operation and service guides for further information:

215-1369-2C Single Valve with Level Handle (SVL)

215-1369-2D Single Valve (SV)



## Rough-In Dimensions for Single Valve (SV)



## Rough-In Dimensions for Single Valve with Lever Handle (SVL)

