



### Standard Institutional Showerhead (S15)

#### Features

- Chrome plated brass arm with stainless steel wall flange
- Adjustable spray pattern
- 1.5 GPM (4.7 LPM) flow control

#### Standards

- Showerhead meets ANSI A112.18.1M flow requirements

#### Options

##### Volume Control - Allen Key (AKV)

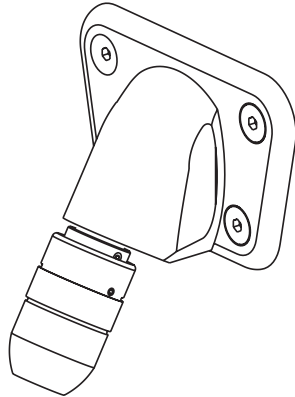
Key operated volume control is adjustable by supervisory personnel only. Does not compensate for pressure fluctuations but restricts maximum discharge to desired level.

##### Volume Control - Lever Handle (LHV)

Lever Handle operated volume control is adjustable by user. Does not compensate for pressure fluctuations but restricts maximum discharge to desired level.

##### Lockable Universal Ball Joint (LBJ)

Allows showerhead to be locked at desired angle. Ideal for keeping spray away from dry areas.



### Deluxe Showerhead with Ball Joint and Wall Arm (SF)

#### Features

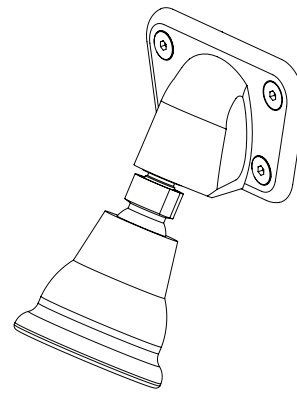
- Chrome plated brass arm with stainless steel wall flange
- Self cleaning spray disc
- Ball joint
- 1.5GPM (4.7 LPM) flow control

#### Standards

- Showerhead meets ANSI A112.18.1M flow requirements

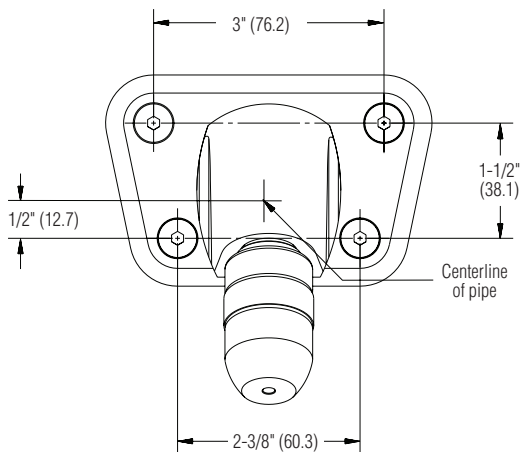
#### Cone

Heavy chrome-plated ABS construction. All internal components are anti-liming.



#### Dimensions

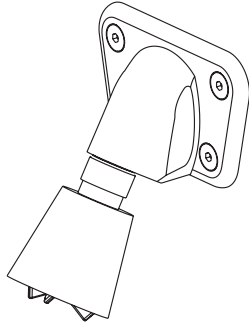
(mm)





### Economy Soft Flow Showerhead with Ball Joint (ES)

Heavy chrome-plated ABS construction with fully adjustable spray pattern. All internal components are anti-liming.



ES

### Basic Brass Showerhead with Ball Joint (B)

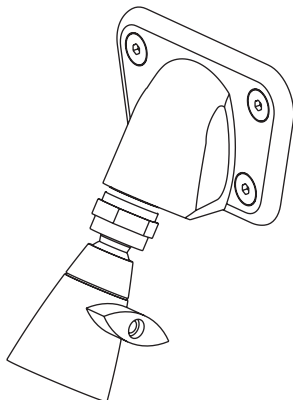
Solid chrome-plated brass shower head. Adjustable spray pattern with vandal-resistant screw.

#### Features

- Chrome plated brass arm with stainless steel wall flange
- Ball joint
- Adjustable spray pattern
- 1.5 GPM (4.7 LPM) flow control

#### Standards

- Showerhead meets ANSI A112.18.1M flow requirements



### Severe Service Showerhead (SX15)

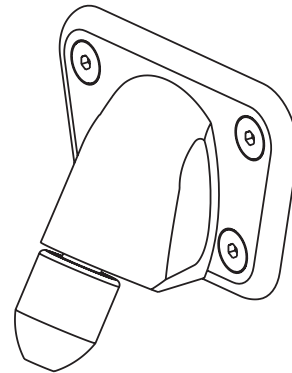
Severe service option is available in lieu of screw-type head. Fixed direction spray pattern is adjustable only through orifice with 1/8" Allen key. Use in high-volume areas. Ball joints or volume controls are not available on this head.

#### Features

- Chrome plated brass arm with stainless steel wall flange
- Fixed directional spray pattern
- 1.5 GPM (4.7 LPM) flow control

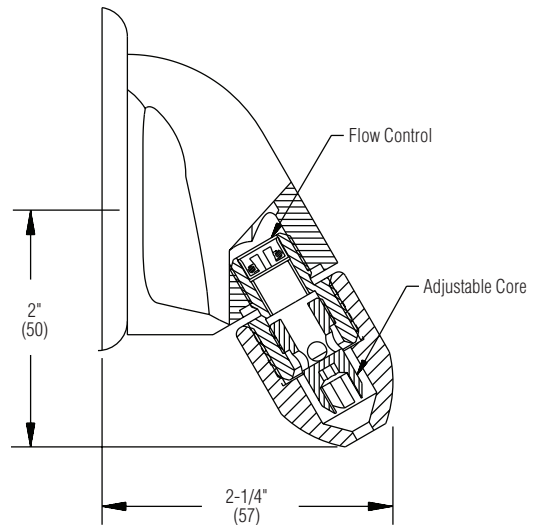
#### Standards

- Showerhead meets ANSI A112.18.1M flow requirements



#### Dimensions

(mm)





Shower Accessories (1C Showerheads)

Showerheads Anchor Plate/ Back Plate

Screws for mounting showerheads, anchor plates and back plates are furnished by Bradley. 1/4-20 x 1-1/4" stainless steel Allen socket flat head screws are furnished for mounting anchor plates or heads directly to wall.

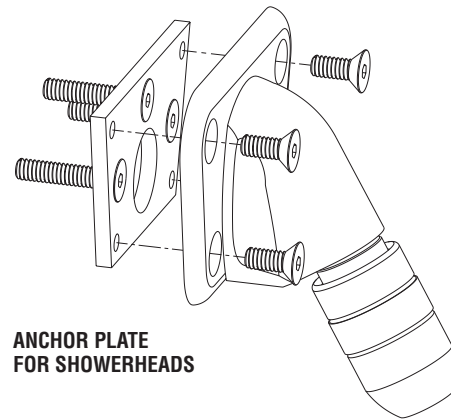
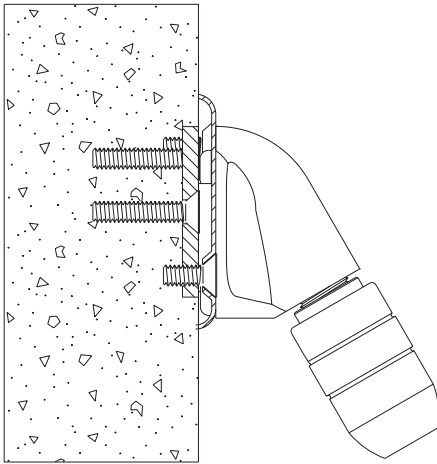
If anchor plates are used, 1/4-20 x 5/8" stainless steel Allen socket flat head screws are furnished for attaching head to anchor plates. If back plates are required, Bradley furnishes stainless steel nuts, washers and threaded rods of sufficient length to suit wall thickness.

Anchor Plates (suffix AP and application)

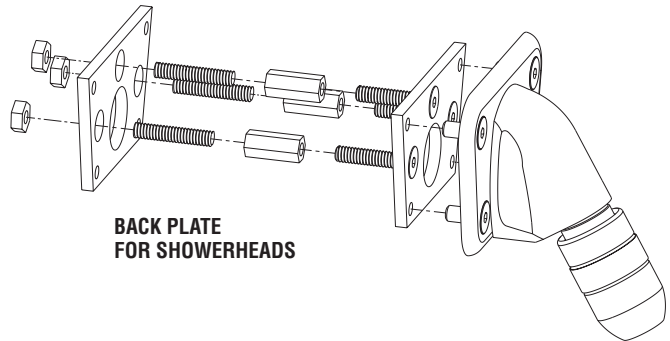
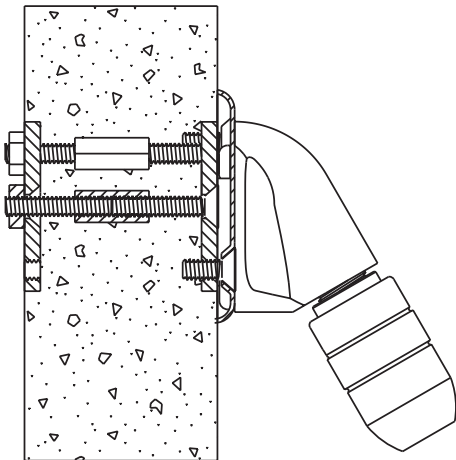
Provides additional mounting strength for built-in shower components. 3/16" cadmium-plated steel plate furnished with countersunk mounting holes and 1/4-20 x 1-1/4" machine screws for installation.

Back Plate (suffix BP and application)

Allows most secure anchorage of wall-mounted components. 3/16" cadmium-plated steel plate furnished with couplings, studs and nuts. Will accommodate 8" wall thickness.



ANCHOR PLATE FOR SHOWERHEADS



BACK PLATE FOR SHOWERHEADS

