

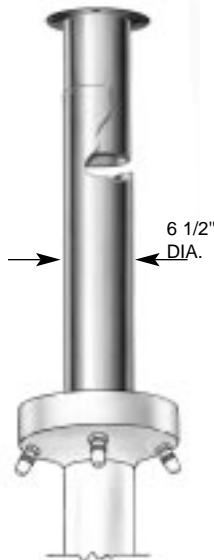
Shower Accessories

Shrouds

Shroud Assemblies

Telescoping Shrouds (suffix SH)

Stainless steel telescoping shroud assemblies to conceal overhead supply or vent piping are available for Column showers. Shroud is constructed of Type 304 stainless steel, the gauge varies on the application. Assembly consists of a ceiling flange with 12" slip ring extension which telescopes into the tube extending up from top of shower. Ceiling flange has five clearance holes for 5/16" screws (not furnished). Telescoping feature allows a minimum of 3" for ample access to supply connections or stops at column top. Shroud is secured to flanged column cover by three vandal-proof screws.

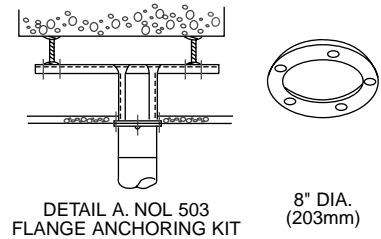


Detail A Flange Anchoring Kit

Flange Anchoring Kit (suffix FAK)

Ceiling plate of 14 gauge stainless steel is available for mounting shroud flange to suspended ceilings. Kit includes flange and five, 5/16" x 1" stainless steel machine screws.

Reinforcing not provided by Bradley. Installation detail should be included on plumbing drawings (Detail A).



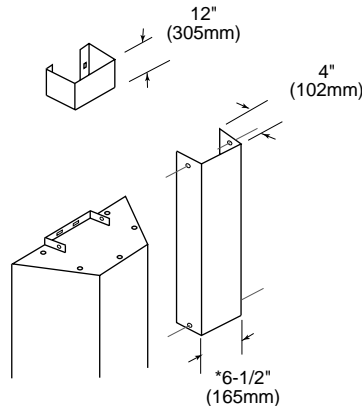
DETAIL A. NOL 503
FLANGE ANCHORING KIT

Horizontal Shroud (suffix SHH)

Rectangular pipe cover assemblies are available for Wall-Saver, Econo-Wall, Coverall, and Corner showers. Horizontal shrouds are dimensionally the same as vertical shrouds. Shroud is constructed of 18 gauge Type 304 stainless steel.

Vertical Shroud (suffix SHV)

Where supplies are run overhead and cannot be concealed in a drop ceiling, Bradley offers the vertical shroud assembly. Shroud is constructed of 18 gauge Type 304 stainless steel. Shroud is secured to top cover with vandal-proof stainless steel screws. (Detail B)



* Shroud width is 7-7/16
for Coverall Showers

