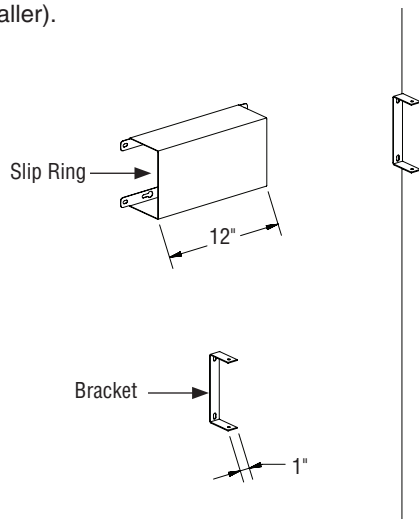


Installation

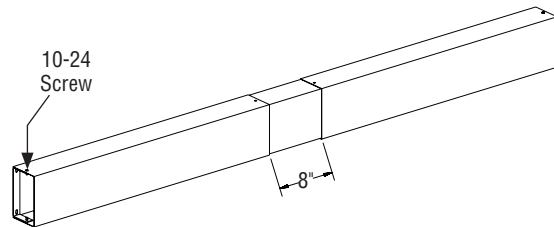
Horizontal and Vertical Shrouds

Typical Horizontal Shroud Installation

1. On a level line, position bracket and slip ring in place on wall.
2. Secure bracket and slip ring to the wall with 1/4" diameter screws and anchors (supplied by installer).

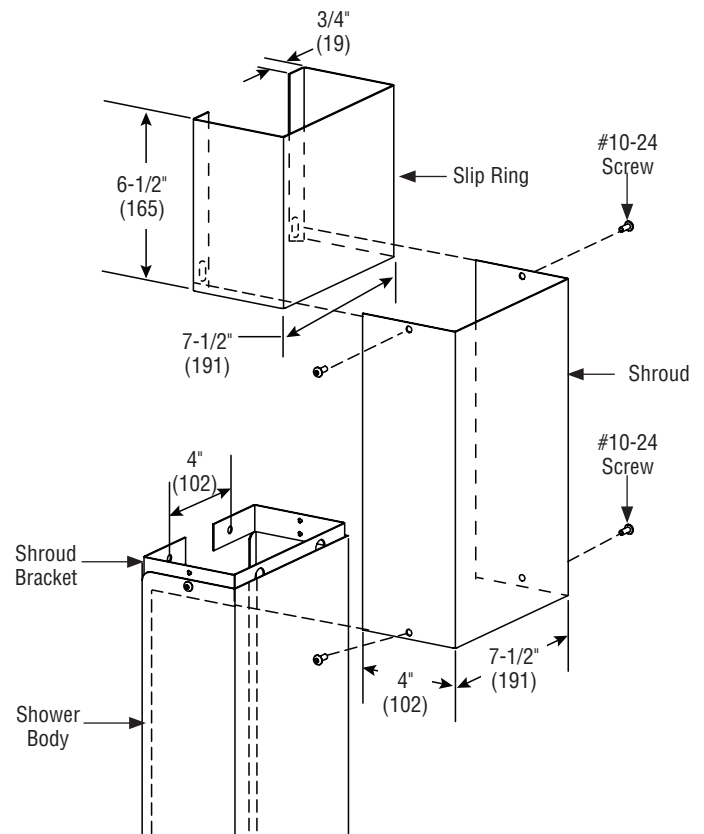


3. Refer to the room layout and position shroud in place over the bracket and slip ring.
4. Secure the shroud to the bracket using the #10-24 x 1/2" Allen screws provided.
5. Using the shroud as a template, drill and tap #10-24 holes in the slip ring with a #25 (.149) drill bit.
6. Secure the shroud to slip ring using the #10-24 x 1/2" screws provided.



Typical Vertical Shroud Installation

1. Position the slip ring against the ceiling and in line with the shroud bracket mounted on the wall. Secure the slip ring to the wall with 1/4" bolts and anchors (supplied by installer).
2. With the bracket and slip ring secured, position the shroud in place and secure the shroud to the shroud bracket with the screws provided.
3. Using the holes at the top of the shroud as a template, drill and tap #10-24 holes in the slip ring.
4. Secure the shroud to the slip ring with the #10-24 screws provided.



Bradley 

P.O. Box 309, Menomonee Falls, WI 53052-0309
800 BRADLEY (272 3539) +1 262 251 6000
bradleycorp.com