

Model TSP-3236: Shower Pan 32" x 36"
Model TSP-3636: Shower Pan 36" x 36"

Installation Instructions

TSP-3236, TSP-3636 Terreon® Shower Pan

Table of Contents

Pre-Installation Instructions	2
Shower Pan Dimensions	3-4
Installation Instructions	5-7
Cleaning and Maintenance Instructions	8



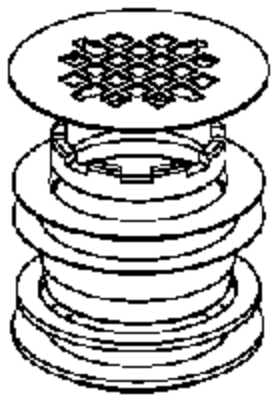
Pre-Installation Information

Check Contents

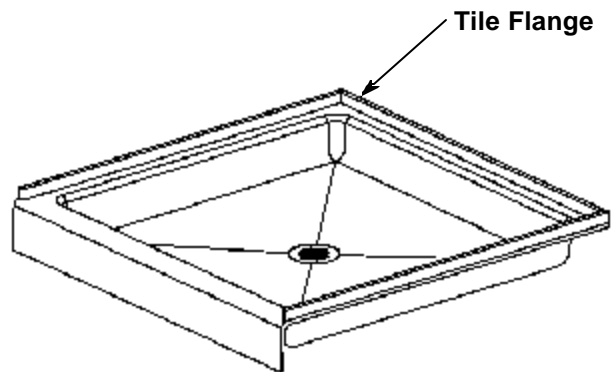
Separate all parts from packaging and check each part with the drawings below. Make sure all parts are accounted for before discarding any packaging material. If any parts are missing, do not attempt to install your Bradley Shower Pan until you obtain the missing parts.

Supplies Required:

- 2" PVC drain piping
- Caulk



Shower Strainer



Shower Pan

Bradley Terreon® Shower Pan Warranty

Bradley Corporation warrants to commercial and institutional purchasers only each unit free from defects in material and workmanship under normal use and service upon the following terms and conditions.

1. This warranty is limited to replacing or repairing, at our option, transportation charges prepaid by the purchaser, any Bradley unit or part thereof which our inspection shall show to have been defective within the limitations of this warranty.
2. The period during which Terreon® components are warranted is five (5) years, measured from the date of our invoice.
3. This warranty does not cover installation or any other labor charges and does not apply to any units which have been damaged by accident, abuse, improper installation or improper maintenance.
4. The replacement or repair of defective units as stated in this warranty shall constitute the sole remedy of the purchaser and the sole liability of Bradley Corporation under this warranty. Bradley Corporation shall not otherwise be liable under any indirect damages caused by defects in the repair or replacement thereof.
5. This warranty extends only to commercial and institutional purchaser and does not extend to any others, including consumer customers of commercial institutional purchasers.
6. This warranty is in lieu of all other warranties, expressed or implied, including any implied warranty of merchants ability or fitness for a particular purpose or otherwise.

Shower Pan Dimensions

TSP-3236 Shower Pan without Tile Flange 32" x 36"

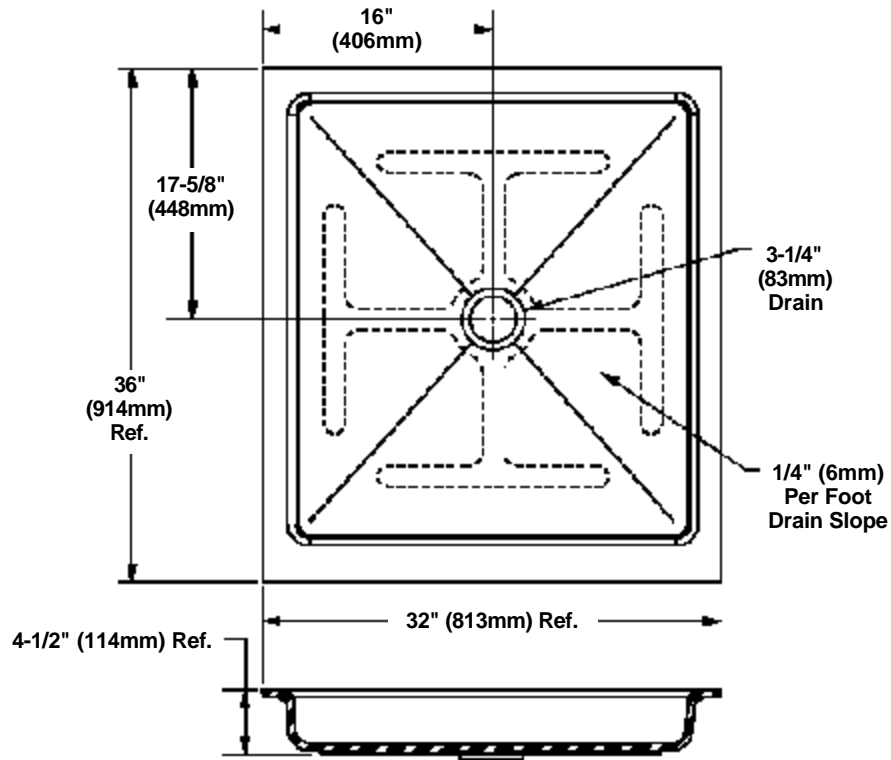


Figure 1a

TSP-3236 Shower Pan with Tile Flange 32" x 36"

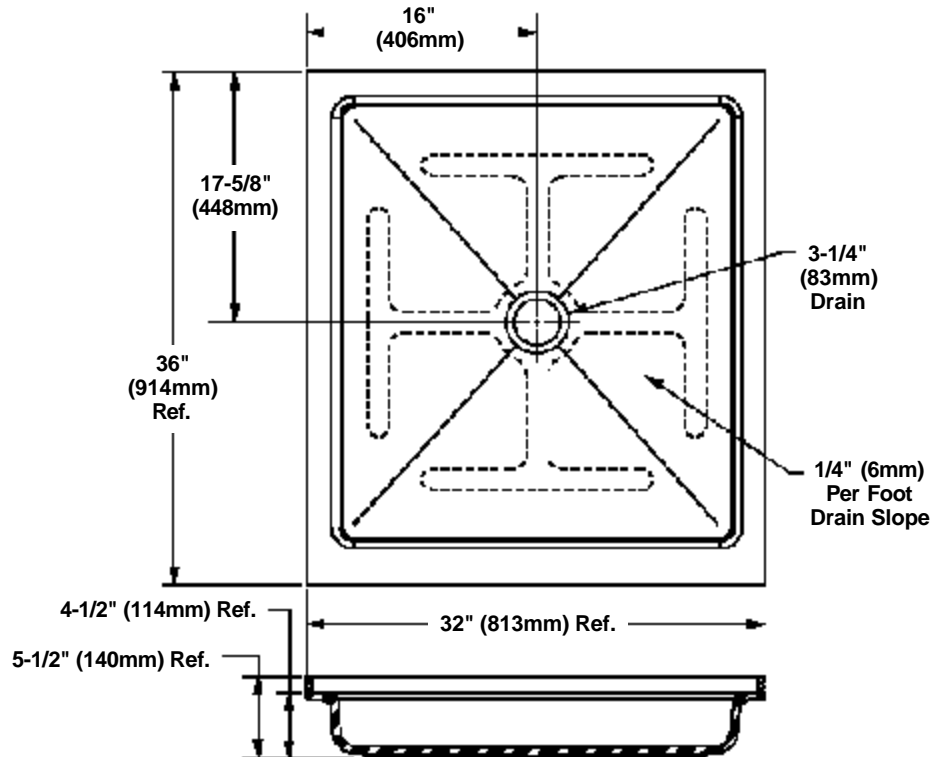


Figure 1b

Shower Pan Dimensions... Continued

TSP-3636 Shower Pan without Tile Flange 36" x 36"

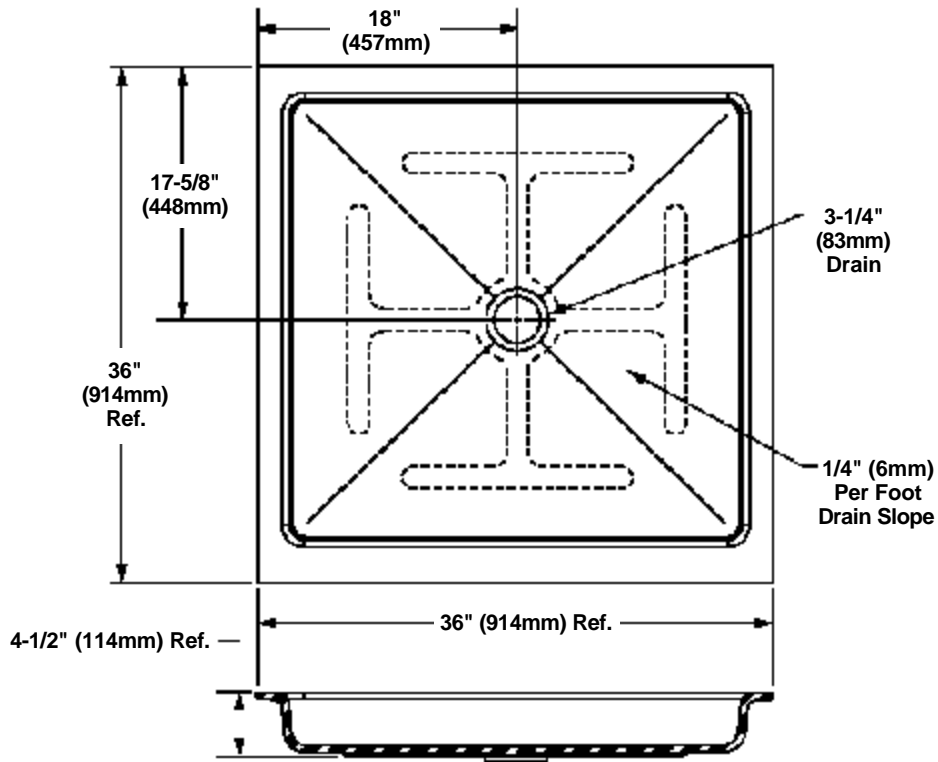


Figure 2a

TSP-3636 Shower Pan with Tile Flange 36" x 36"

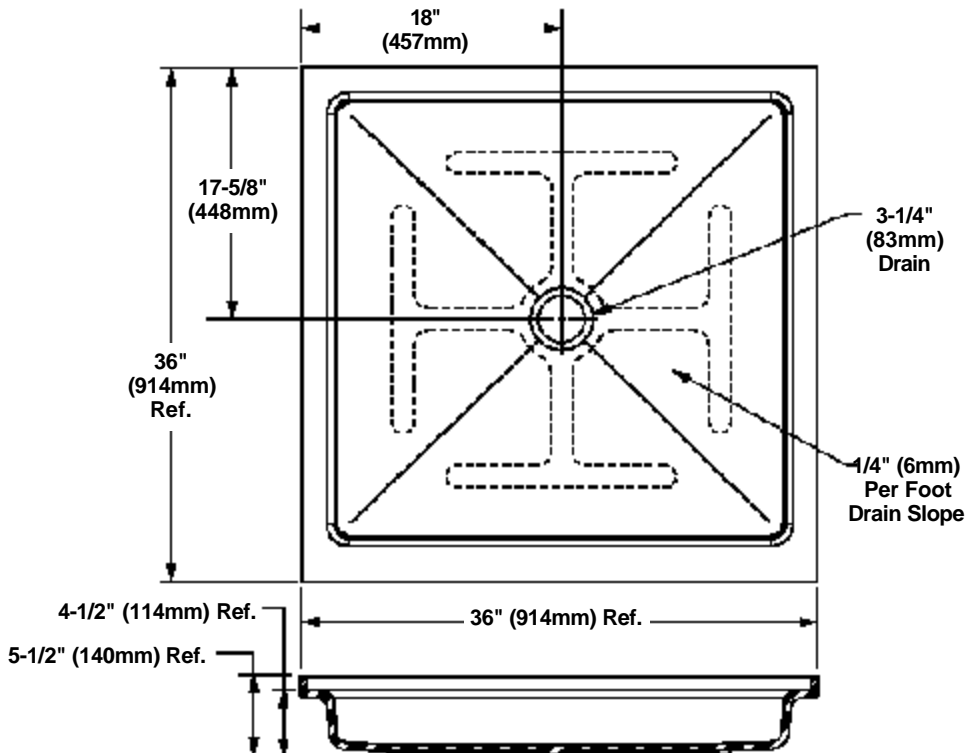


Figure 2b

Installation Instructions

Step 1: Rough In

NOTE: See Figure 3 below for rough in dimensions.

1. Make sure that the floor and wall studs are square and plumb. Provide a 6" square or round opening in the sub floor for the drain. The drain assembly will use a 2" PVC waste pipe supplied by the installer. The waste pipe should extend above the sub floor a minimum of 1/4", maximum of 1/2". Refer to Chart A for drain location.

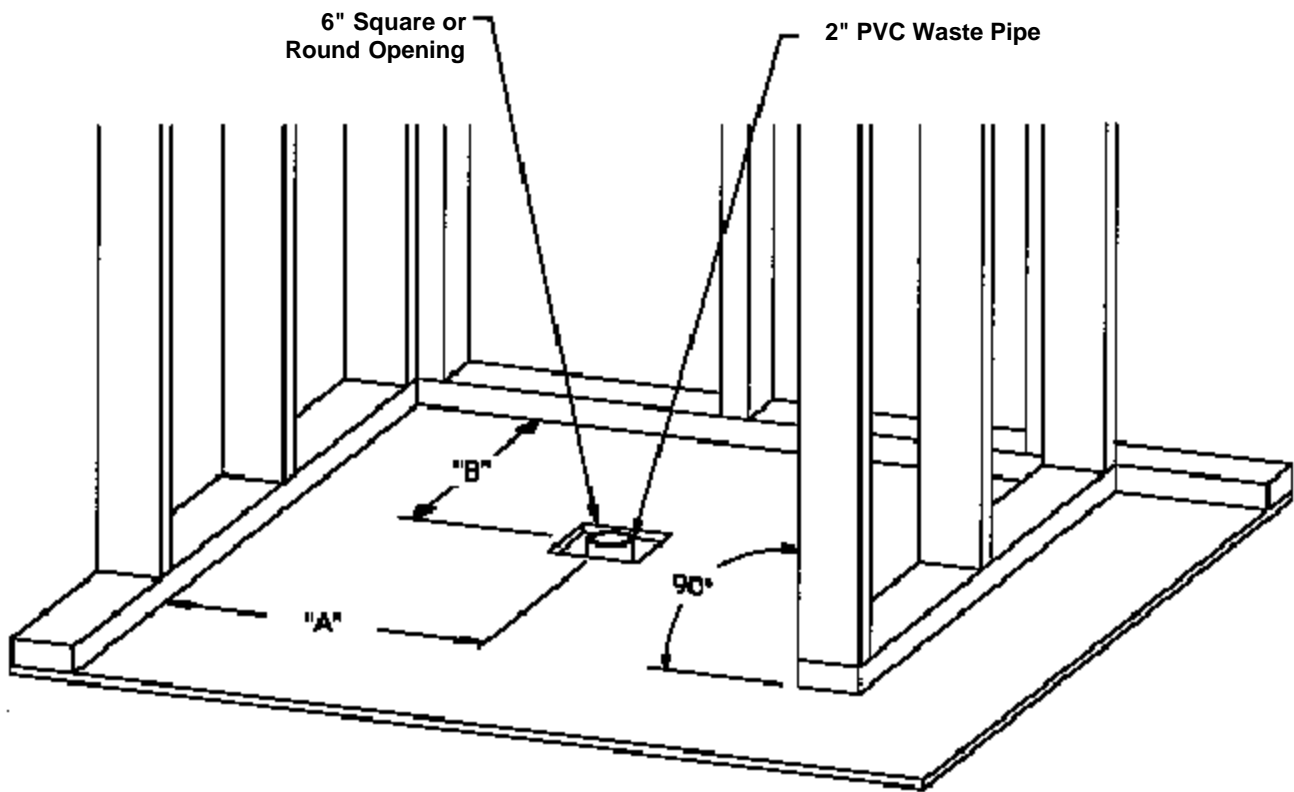


Figure 3

Chart A

Shower Pan Model No.	Shower Pan Size	"A"	"B"
TSP-3236	32" x 36"	16"	17-5/8"
TSP-3636	36" x 36"	18"	17-5/8"

Installation Instructions ... Continued

Step 2: Install Drain Assembly

1. After the waste pipe is installed, assemble the drain assembly to the shower pan as shown in Figure 4.
2. Place a layer of sand or Quickcrete onto the floor of the shower stall. If using a mortar type material for stability, it is necessary to firmly brace the shower pan to prevent shifting while the mortar cures.
3. Lower the shower pan with drain assembly over the waste pipe and into the bed of sand (or Quickcrete) as shown in Figure 5. Check to ensure that the shower pan is level and install strainer. Check for proper drainage.
4. Finish installation as shown in Figure 6. Tape over strainer to prevent debris from entering the drain. Caulk seams as needed.

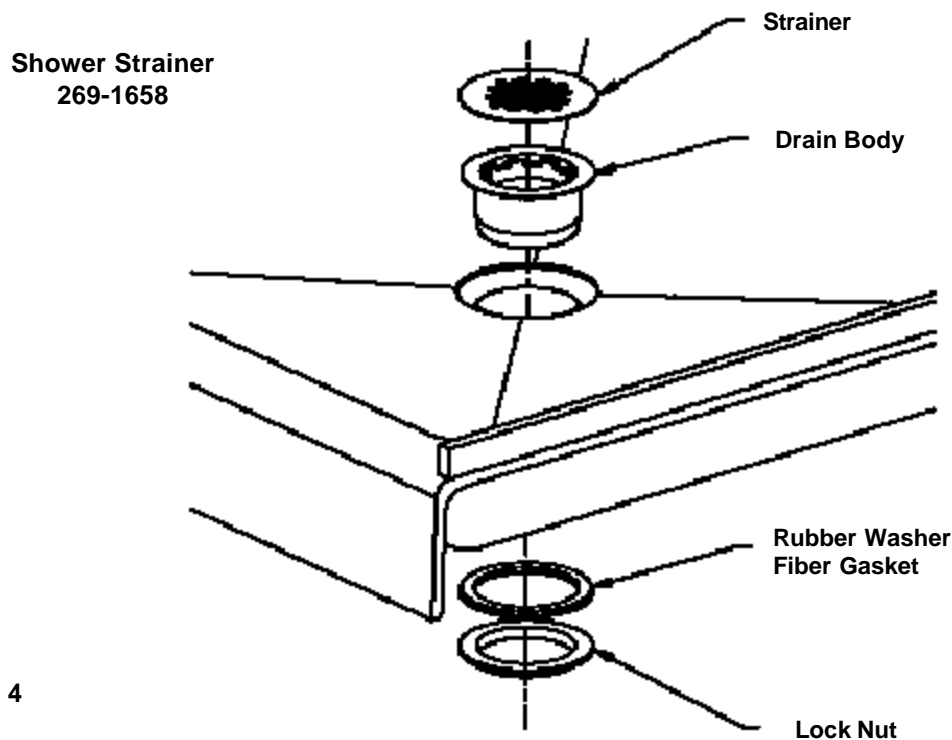


Figure 4

Installation Instructions ... Continued

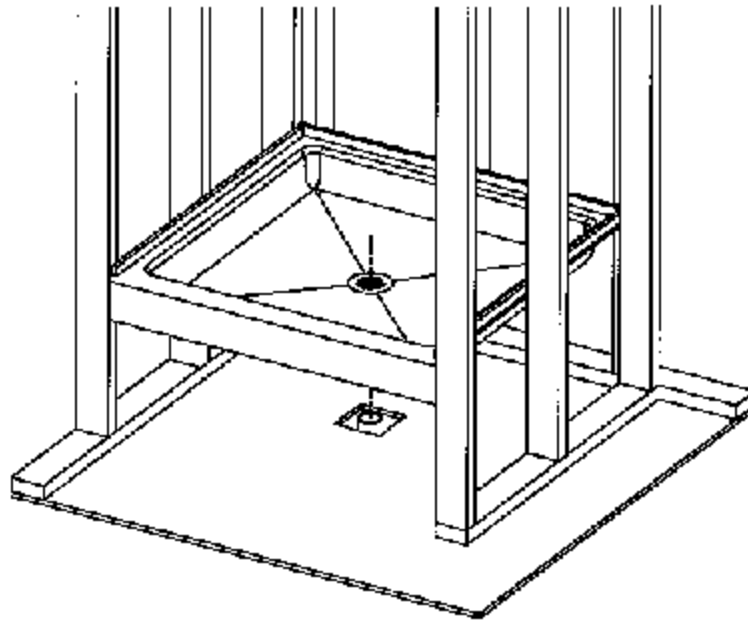


Figure 5

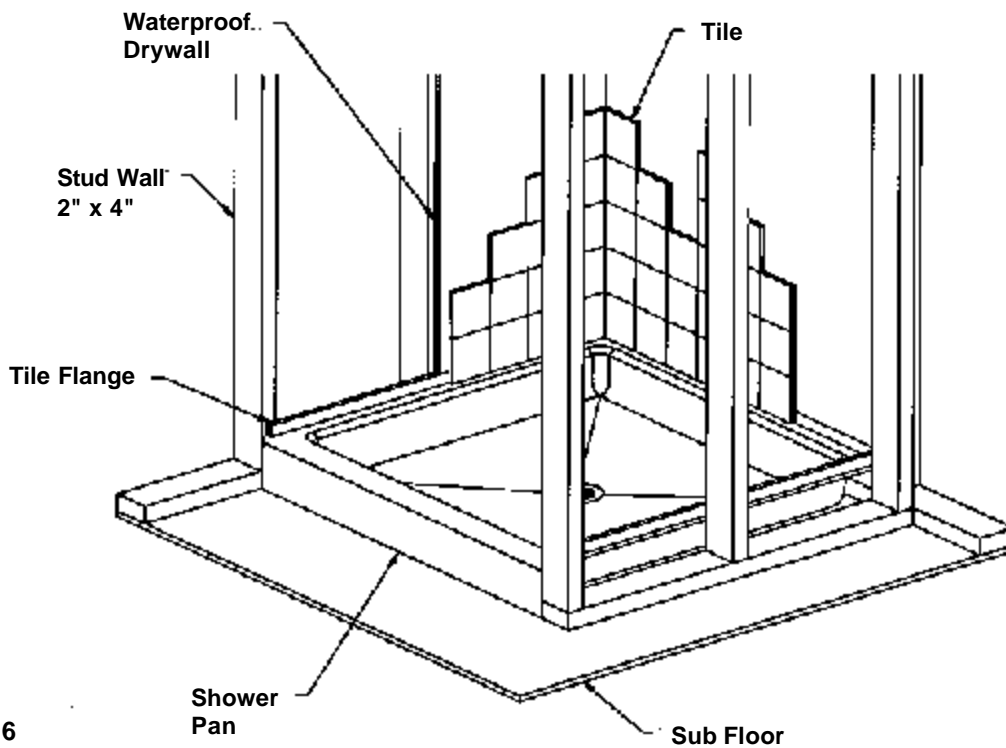


Figure 6

Cleaning and Maintenance Instructions



IMPORTANT: Strong alkaline or acid-based chemicals and cleansers should not be used to clean the Shower Pan. If these chemicals come in contact with the Terreon® surface, wipe off the surface immediately and flush with soapy water.

Terreon® maintenance

The shower pan is made of Terreon®, a solid cast polyester resin material. Terreon® resists chemicals, stains, burns and impact, and is repairable with everyday cleaners or fine-grit abrasives. With regular cleaning, your Terreon® shower pan will provide years of dependable service.

- For regular cleaning, use standard commercial or household products such as Formula 409® or Windex®.
- Remove tough stains with Ajax®, Comet® or Soft-Scrub® and a green Scotch-Brite® pad.
- Remove scratches with a green Scotch-Brite® pad. The finish can be renewed with a maroon Scotch-Brite® pad. Remove hard water build-up with a mild solution of vinegar and water.
- * Use of brand names is intended to indicate a type of cleaner and does not constitute an endorsement.
- ** It is emphasized that all products should be used in strict accordance with package instructions.
- **Repair kit:** A repair kit is available from Bradley to repair/patch the Terreon® shower pan. Contact your Bradley representative to order a repair kit and be sure to specify color when ordering.