

Installation

233 Towel Dispenser/Waste Receptacle

Semi-Recess and Recess-Mounted Towel Dispenser/Waste Receptacle

NOTE: For surface-mounted unit, refer to the instructions on page 2.

NOTE: Coordinate installation with architect and contractor to avoid protrusion from opposite wall, pipes vent, conduits, electrical wiring etc. in wall. Grounding is recommended for plaster wall installation. If installing where unit projects above top of wainscot, provide aluminum channel or other filler to prevent gap from finished wall and flange of unit. For block walls, use metal expansion shields (not provided).

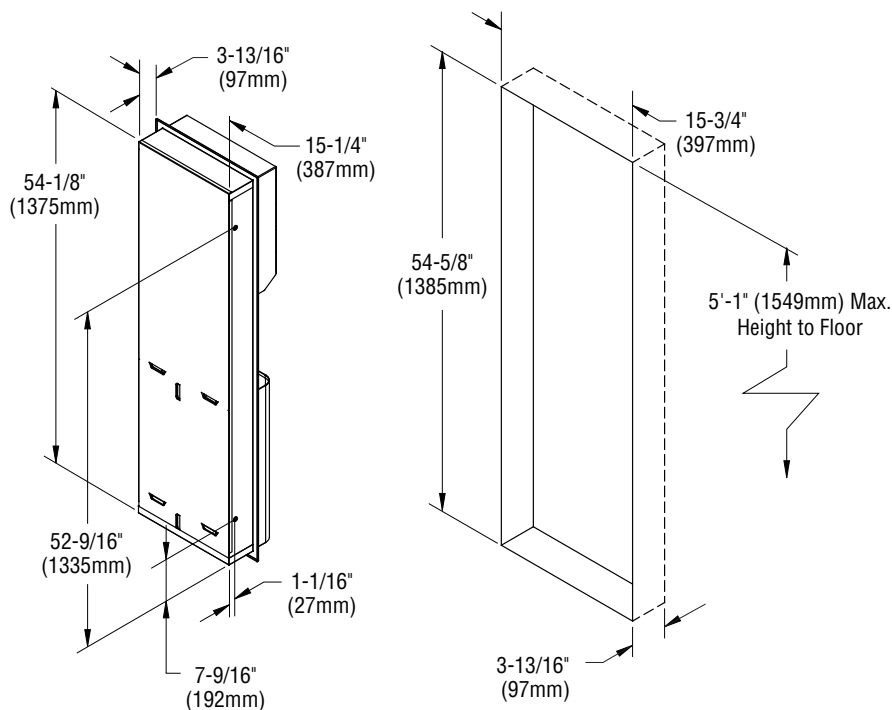
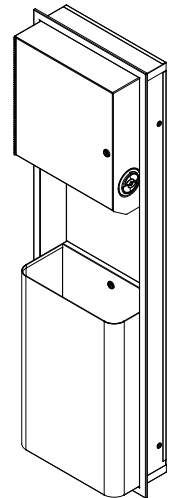
1. Position the unit into the wall opening and unlock the door.

NOTE: Shims may be required to prevent distortion when positioning the unit into the wall opening. Place shims at the mounting holes between the outside of the unit and the wall before securing the towel/waste unit.

2. Unlock and lift off the waste can to access the lower mounting holes. Do not remove the towel dispenser. Secure the unit to wall through the mounting holes provided with the four #10 screws supplied.

NOTE: If the towel dispenser has been removed, make sure to tighten the screw hand-tight only when reinstalling. DO NOT overtighten! Cover the screw with the cover plug.

3. Reposition and lock the waste can.



Installation

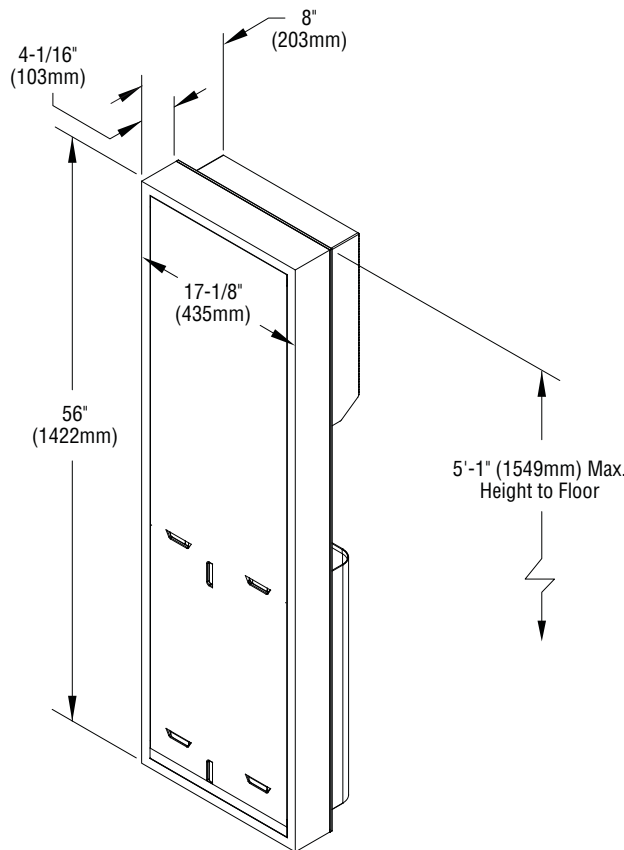
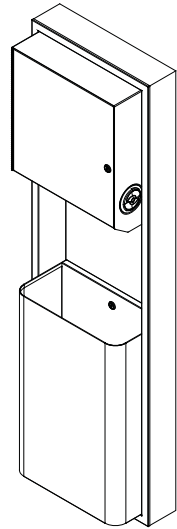
Surface-Mounted Towel Dispenser/Waste Receptacle

NOTE: For recess-mounted unit, refer to the instructions on page 1.

1. **Plaster or dry wall construction:** Provide in-wall backing (suitable for use with #10 x 1" screws) at the mounting slot locations shown in Figure 2 below.
Other wall surfaces: Provide fiber plugs or expansion shields (suitable for use with #8 x 1-1/4" sheet-metal screws supplied by installer), OR provide 1/8" toggle bolts or expansion bolts. If installing where unit projects above top of wainscot, provide aluminum channel or other filler to prevent gap from finished wall to back of unit. For block walls, use metal expansion shields (provided by installer).
2. Unlock and open the door.
3. Unlock and lift out the waste receptacle to access the lower mounting holes. Do not remove the towel dispenser. Secure the unit to the wall with hardware appropriate for your wall construction.

NOTE: If the towel dispenser has been removed, make sure to tighten the screw hand-tight only when reinstalling. DO NOT overtighten! Cover the screw with the cover plug.

4. Reposition and lock the waste can.



IMPORTANT

Adequate in-wall backing must be provided by installer to fully support the weight of the unit. Always check local codes and ordinances prior to installation.

Figure 2