


SEAT HEIGHT 17" OFF FINISH FLOOR

SEAT HEIGHT 18" OFF FINISH FLOOR

SEAT HEIGHT 19" OFF FINISH FLOOR

SEAT HEIGHT 20" OFF FINISH FLOOR

**9562**  
Rectangular Phenolic Shower Seat  **Installation**

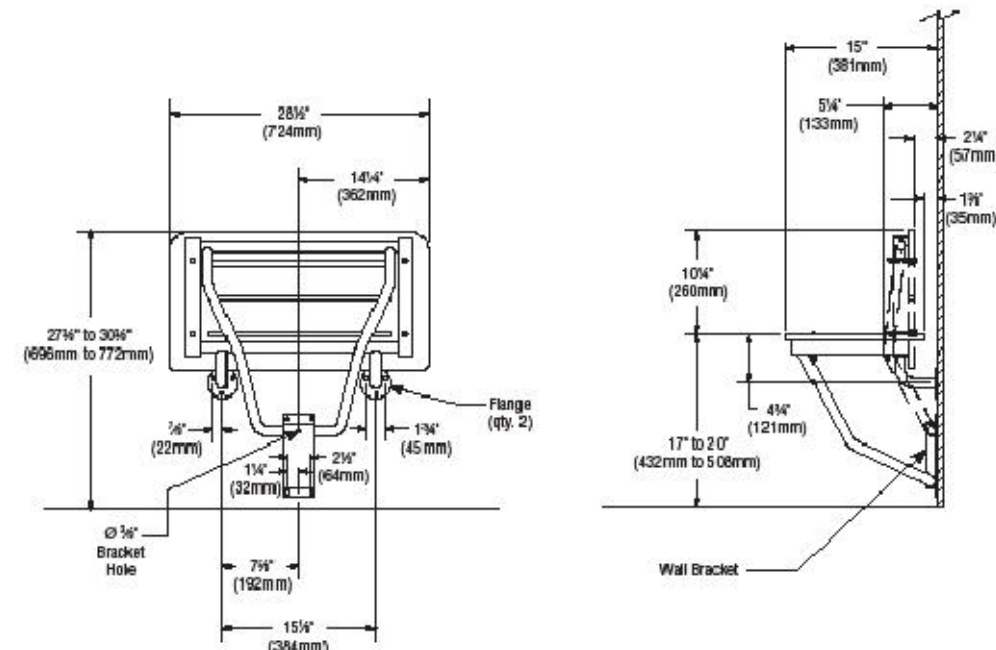
**WARNING:** Be sure to use reinforced backing behind wall where mounting screws or anchoring devices are installed to ensure adequate support for the shower seat. All anchoring devices (supplied by installer) must be appropriate for specific wall construction. Severe personal injury and/or property damage may result from improper mounting.

**Tools Required for Installation:** Level, drill, drill bit and 1/4" and 3/8" sockets (or appropriate size to accommodate fasteners used).

1. Open the template and carefully cut it straight across the bottom at the desired mounting height (recommended ADA-compliant height is 18" above the finished floor). Position the template on the wall with the bottom edge meeting the floor (the top of the template must be level to ensure the seat will be level when mounted). Tape the template against the wall, then measure, mark and drill the ten mounting holes appropriate for your height requirement.
2. Position the shower seat mounting flanges against the wall so that the seat is level. Secure the flanges to the wall with the appropriate fasteners. Before proceeding with procedure #3, check to make sure that the seat moves freely from the horizontal to the vertical position.
3. Pull the wall bracket apart slightly and insert the support tube into the bracket. With the support tube resting inside, secure the wall bracket on the wall with appropriate fasteners.

**NOTE:** When securing the mounting flanges to the wall, check to make sure that the seat surface is level and that the flanges are positioned flat against the wall.

**NOTE:** When installing the wall bracket, make sure the 1/2" round hole is at the TOP of the bracket.



P20-188 Rev. A; ECN 11-15-017  
© 2011 Bradley Corporation  
Page 1 of 1 **Bradley** P.O. Box 300, Menomonie Falls, WI 53062-0300  
TEL. 800.BRADLEY (800.272.8599) FAX 262.281.5817  
bradleycorp.com