

Installation

Hydraulic Push Button Assembly
COMBI5100, 5600 Series (S45-732)

Anti-Ligature Flush Valve Box
HSC79 (S45-2670)



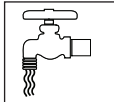
IMPORTANT!



Read this entire installation manual to ensure proper installation. When finished with the installation, file this manual with the owner or maintenance department. Compliance and conformity to local codes and ordinances is the responsibility of the installer.



Separate parts from packaging and make sure all parts are accounted for before discarding packaging material. If any parts are missing, do not begin installation until you obtain the missing parts.



Make sure that all water supply lines have been flushed and then completely turned off before beginning installation. Debris in supply lines can cause valves to malfunction.



Product warranties may be found under "Products" on our web site at bradleycorp.com.

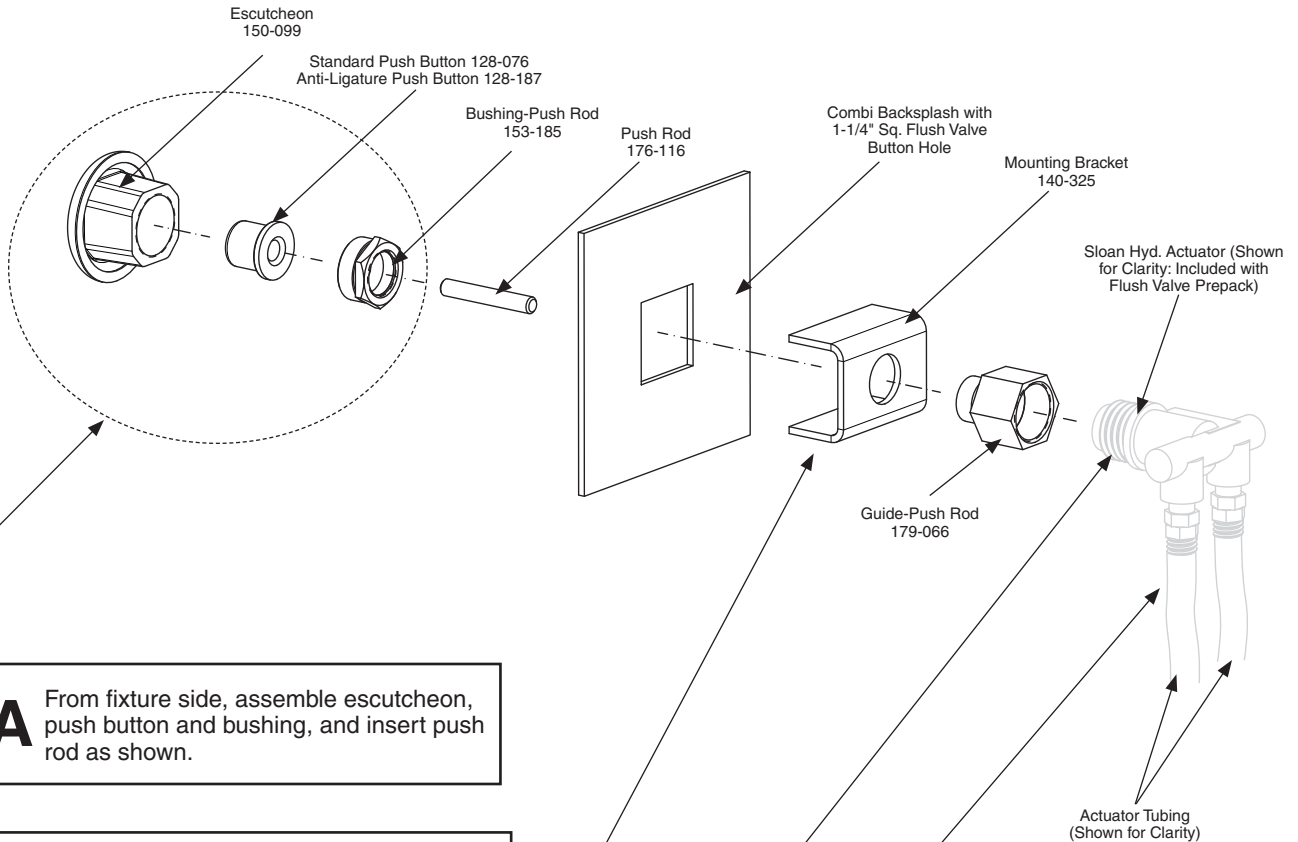




This kit contains components to be used with Bradley Security Hydraulic Flush Valve Push Button Assembly and 1-1/4" dia. Valve Button hole in backsplash.



This button assembly can be used with both Sloan Hy-71-A (Bradley Part No. 269-975) and Sloan HY-50-A (Bradley Part No. 269-1920) Actuators.



A From fixture side, assemble escutcheon, push button and bushing, and insert push rod as shown.

B Insert assembly into 1-1/4" backsplash hole and use mounting bracket to center escutcheon. Push rod guide to secure assembly tightly.

C After securing actuator to push rod guide, connect tubing to actuator.

D Connect tubing from actuator to flush valve per instructions included with flush valve prepack. Test valve for proper operation.