

- Decks are Constructed of Natural Quartz or Recycled Hard Surfacing
- Optional Industry Exclusive Integral Evero® Undermount Bowl
- Custom and Standard Sizes Available
- Attached Backsplash and Aprons Minimize Caulk Lines
- ADA and ANSI Compliant
- Available Options Allow for Complete Installation

## Specifications

The OmniDeck Model LD-4010 can accommodate one or multiple users. LD-4010 OmniDecks feature a natural quartz deck with pre-mounted Evero or Stainless steel undermount bowls. OmniDecks come equipped with drillings for either 4" centerset, 8" centerset or centershank faucet drillings, or can be equipped with optional deck-mount faucets. Optional aprons, splashes, mounting brackets, single-station trap covers and deck-mounted soap dispensers are also available to round out the total package.

## Construction

### Bowls

**Evero Rectangular Undermount** constructed of Evero Natural Quartz, a Bradley exclusive material that is specially formulated for moldable and contoured shapes. Evero is made from a blend of acrylic modified bio-based polyester resin, natural quartz, granite, and other exotic minerals. Evero is GreenGuard certified and features a 15-year material warranty. Evero is resistant to chemicals, stains, burns and impact. Bowl is integral to the deck and features an inconspicuous seam. The attractive 30-degree beveled edge creates a smooth transition from the deck to the bowl, eliminating gaps that can harbor bacteria. The bowl also features a molded intergal overflow. Bowl size is 17" x 14". Depth is 6.2" from top of deck to bottom of bowl.

- Variations in the natural stone (quartz) color, pattern, size, shape and shade are inherent and unique characteristics to be expected with this product.

**Stainless Steel Spherical Undermount** 16 gauge Type 304 stainless steel bowl features an integral overflow and polish finish. Deck fabricated with 1/4" lip over bowl. Inside Bowl size is Ø 14½" x 8" deep from top of deck to bottom of bowl. Aperture opening in deck is 14".

### Deck

Constructed from 0.79" (2cm) thick Silestone® natural quartz or ECO recycled hard surfacing material. All deck rim and splash edges feature 1/8" beveled edges to eliminate sharp corners.

**Silestone** natural quartz surfacing is composed of 93% natural quartz and 7% other minerals, binders and pigments. Silestone is the only surfaces brand that includes bacteriostatic protection in its composition. The Silestone technology minimizes the growth and proliferation of bacteria throughout the material. Silestone is Greenguard certified and NSF 51 listed. Features a 15-year material warranty.

**ECO** hard surfacing is a non-porous, durable material made of 75% recycled content composed of post industrial or post consumer materials (including porcelain, mirror, glass or stone scraps) and is bound by an environmentally friendly resin which comes in part from corn oil. ECO is GreenGuard and Cradle to Cradle silver level certified. Features a 10-year material warranty.

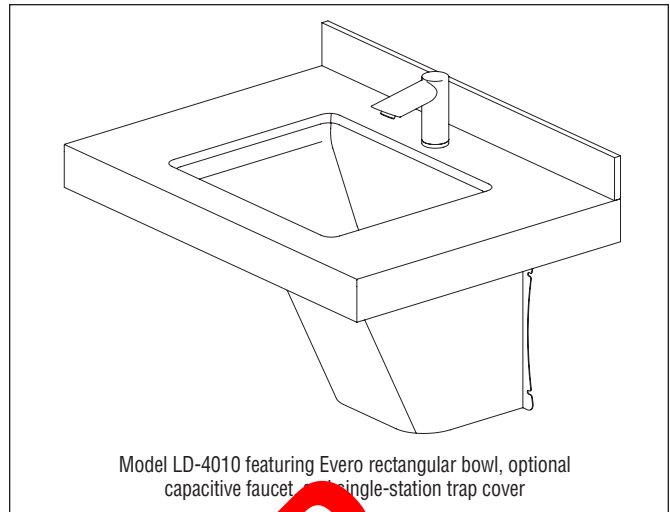
### Mounting Options

OmniDecks are designed for a variety of mounting options which include 12 gauge stainless steel mounting brackets (to allow for quick install and future removal of deck) or traditional wall cleating (by others). These mounting options eliminate the need for casework options beneath the deck.

Verify all rough-in dimensions prior to installation.

Consult local and national codes. Conformity and compliance to local and national codes is the responsibility of the installer.

Plumbing Fixtures Document No. 1093 Page 1 of 6  
This information is subject to change without notice.  
7/31/2013



Model LD-4010 featuring Evero rectangular bowl, optional capacitive faucet, and single-station trap cover

### Trap Cover Option

The Single-Station Trap Covers are constructed of 18 gauge stainless steel with a #3 finish and is mounted with #10 fasteners and anchors (supplied by others). Trap covers are designed to contour the unique shape of either the stainless steel spherical undermount or Evero rectangular undermount. In order to allow for easy access to soap cartridges, the soap is not concealed by the trap cover.

## Code Compliance and Certifications

### ANSI Standards

OmniDeck and Evero undermounts comply with ANSI Z124.3. Stainless steel bowls comply with ASME A112.19.3/CSA B45.4.

### National & International Plumbing Approval

OmniDecks are Uniform Plumbing Code (UPC), International Plumbing Code (IPC) and National Plumbing Code of Canada (NPC) approved through the International Association of Plumbing and Mechanical Officials (IAPMO). Manufactured in compliance with IGC 156, CSA B45 Series & ASME A112.18.1/CSA B125.1.

- This plumbing fixture is designed for hand washing only. It is not Intended to dispense water for human consumption through drinking or for preparation of food or beverages.

### Standard Height Mounting

To comply with ADA, the rim height of the LD-4010 OmniDeck, and at least one bowl, must be 34" above the finished floor and must have proper knee and toe clearances. To be completely ADA compliant, the OmniDeck must be equipped with ADA compliant faucets and trap cover or wrap. Always review local codes for compliance.

### Juvenile Height Mounting

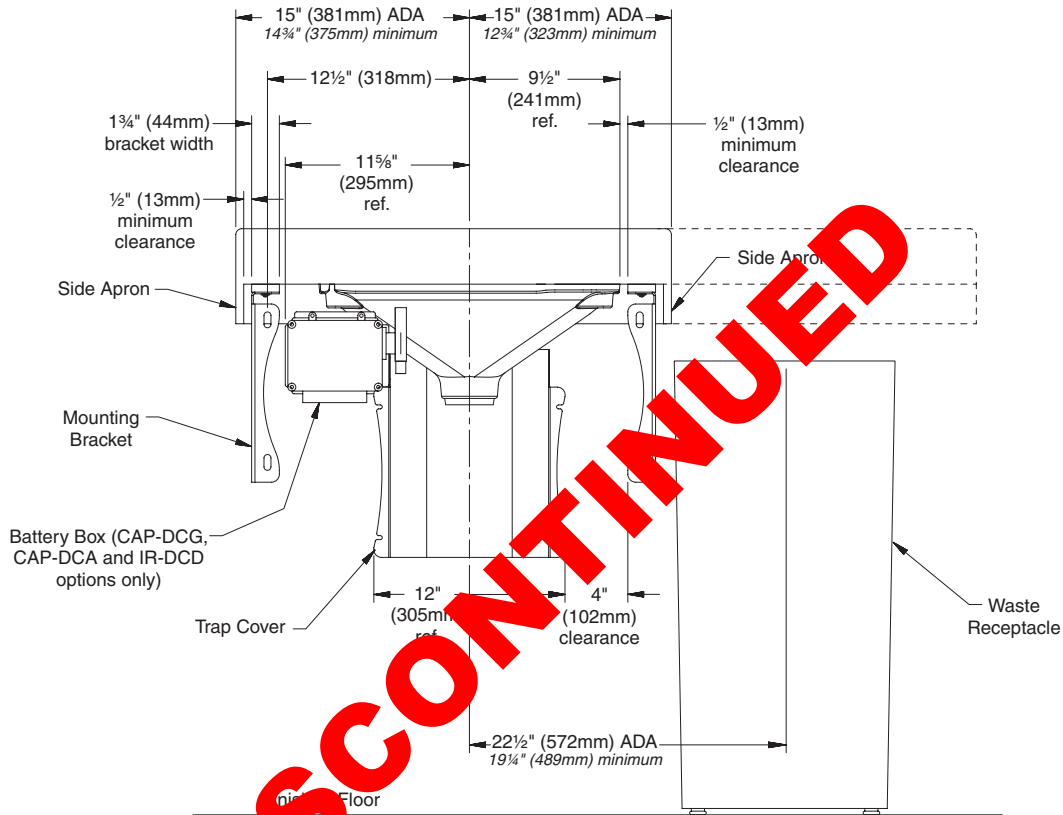
The standard LD-4010 OmniDeck mounted with counter surface no higher than 31" and with proper knee and toe clearances is compliant with ADA Accessibility Guidelines for Building and Facilities: Building Elements Designed for Children's use; Final Rule. Always review local codes for compliance.



Home Innovation  
LAB CERTIFIED™

**LD-4010 Minimum Dimensions (ER-BOWL)**

Use this example to plan for proper bowl and waste receptacle placements.  
 Dimensions are for reference only and are subject to change.

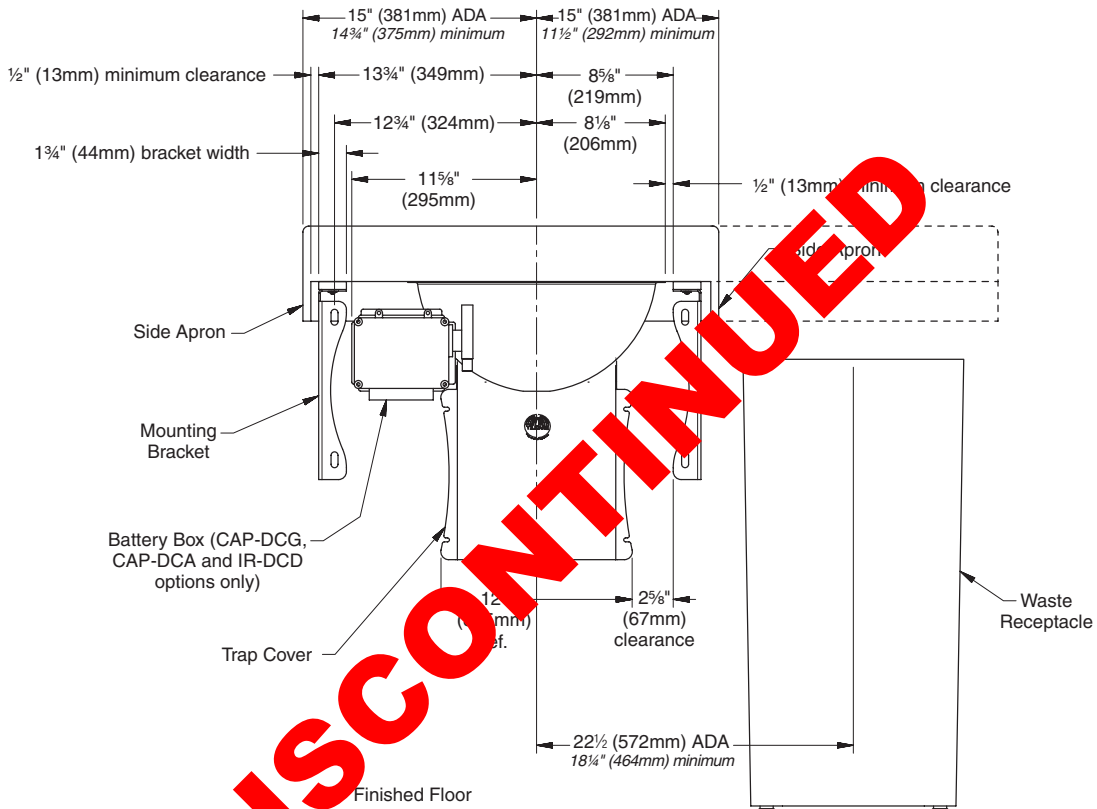


**DISCONTINUED**

Verify all rough-in dimensions prior to installation.  
 Consult local and national codes. Conformity and compliance to local and national codes is the responsibility of the installer.

**LD-4010 Minimum Dimensions (SS-BOWL)**

Use this example to plan for proper bowl and waste receptacle placements.  
Dimensions are for reference only and are subject to change.

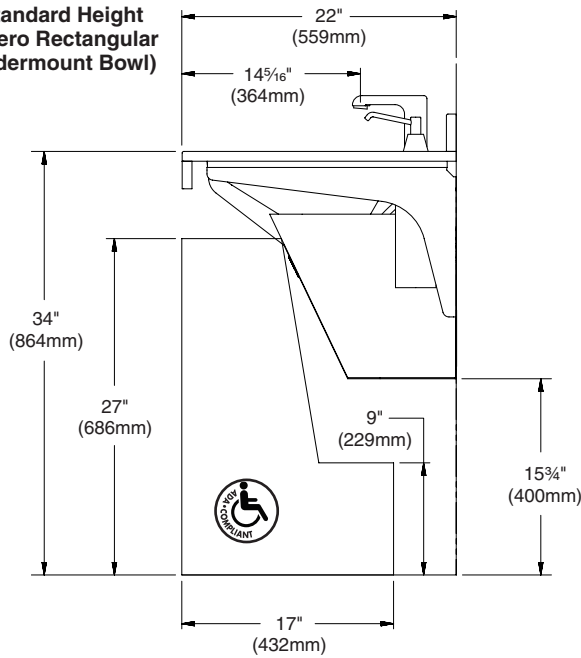


**DISCONTINUED**

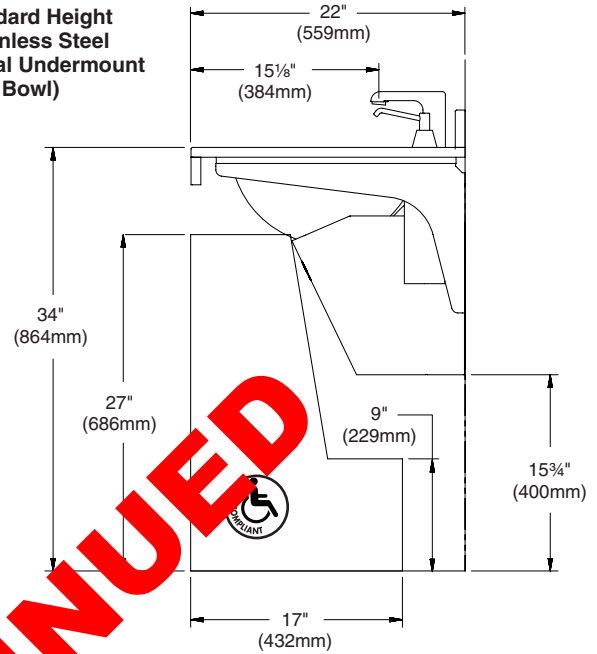
Verify all rough-in dimensions prior to installation.  
Consult local and national codes. Conformity and compliance to local and national codes is the responsibility of the installer.

**LD-4010 Dimensions (side views)**

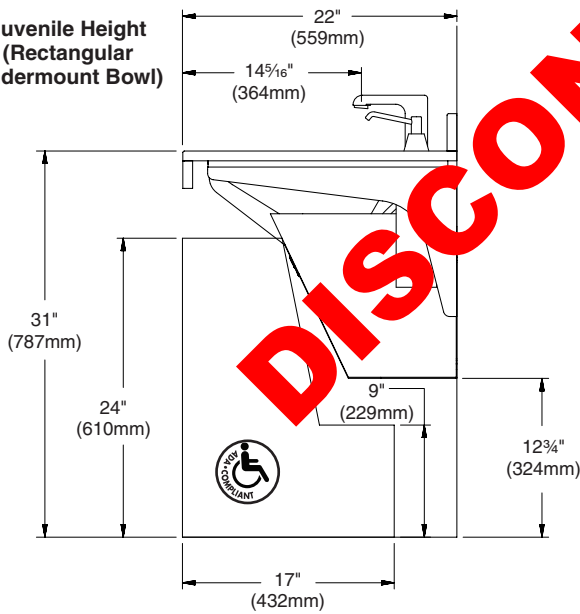
**Standard Height  
(Evero Rectangular  
Undermount Bowl)**



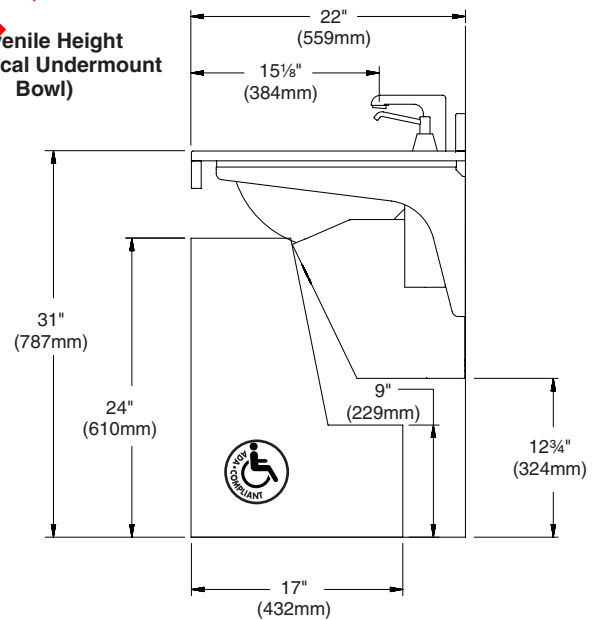
**Standard Height  
(Stainless Steel  
Spherical Undermount  
Bowl)**



**Juvenile Height  
(Rectangular  
Undermount Bowl)**



**Juvenile Height  
(Spherical Undermount  
Bowl)**



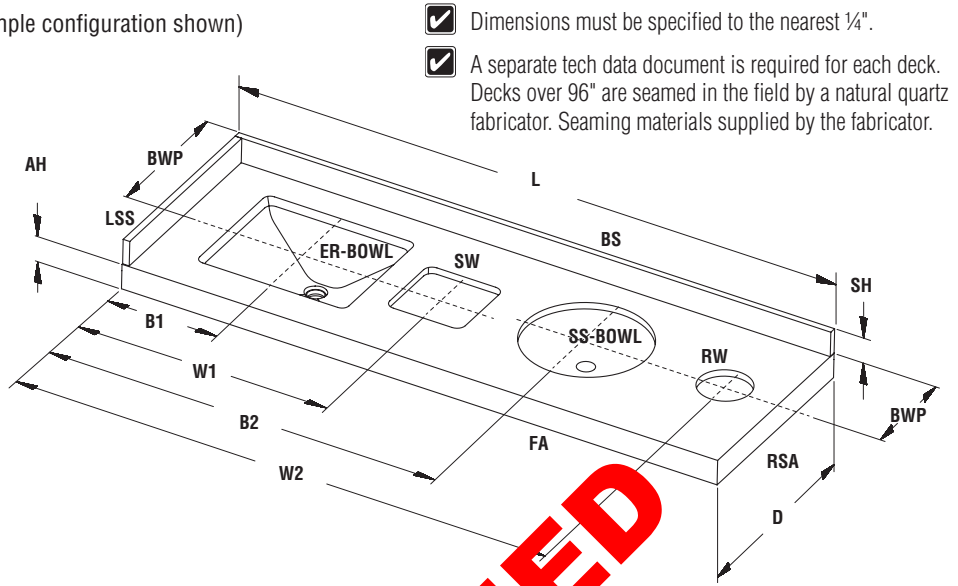
**DISCONTINUED**

Verify all rough-in dimensions prior to installation.

Consult local and national codes. Conformity and compliance to local and national codes is the responsibility of the installer.

### LD-4010 Deck and Bowl Details (sample configuration shown)

Key	Description
L	Length of Deck
D	Depth of Deck
B1	Bowl #1 Placement
B2	Bowl #2 Placement
BWP	Bowl/Waste Position
W1/W2	Waste Placement
SH	Splash Height
AH	Apron Height
SW	9" Square Waste Opening
RW	6" Round Waste Opening
LSS	Left Side Splash (loose)
FA	Front Apron (attached)
BS	Backsplash (attached)
RSA	Right Side Apron (attached)



- Dimensions must be specified to the nearest 1/4".
- A separate tech data document is required for each deck. Decks over 96" are seamed in the field by a natural quartz fabricator. Seaming materials supplied by the fabricator.

### Standard Selections (Must select one from each category) All OmniDecks are non-cancelable and non-returnable.

#### Configuration

NOTE: Changes to predetermined dimensions require modified unit.

Standard  Modified

#### Number of Bowls

1 One Bowl  2 Two Bowls  
 3 Three Bowls  0 No Bowls

#### Bowl Type

ER-BOWL Evero Rectangular Undermount  
 SS-BOWL Stainless Steel Spherical Undermount  
 NONE No Bowl

#### Length (L)

30" (Std.)  60" (Std.)  
 90" (Std.)  
 Modified \_\_\_\_\_ (max. not exceed 96")

#### Depth (D)

22" (Std.) NOTE: 22" min. (If a bowl type is selected, depth must not exceed 24")  
 Modified \_\_\_\_\_

#### Bowl Placement

B1 (Bowl #1) 15" (Std.)  Modified \_\_\_\_\_"  
 B2 (Bowl #2) 45" (Std.)  Modified \_\_\_\_\_"  
 B3 (Bowl #3) 75" (Std.)  Modified \_\_\_\_\_"

#### Bowl/Waste Position (BWP)

11.25" 11 1/4" (Stainless Steel Spherical Undermount)  
 12" 12" (Evero Rectangular Undermount)

#### Waste Receptacle Openings

1 One Opening  2 Two Openings  
 0 No Opening

#### Waste Opening Type

SW 9" Square  RW 6" Round  
 RWC 6" Round with Stainless Steel Chute

#### Waste Placement (WP)

WP1 \_\_\_\_\_"  WP2 \_\_\_\_\_"

#### Backsplash (attached)

BS Backsplash  NBS No Backsplash

#### Side Splashes (shipped loose)

RSS Right Side Splash  BSS Both Side Splashes  
 LSS Left Side Splash  NSS No Side Splash

#### Splash Height (5" maximum)

3" (Std.)  Other \_\_\_\_\_"

#### Front Apron

FA Front Apron  NFA No Front Apron

#### Side Apron

LSA Left Side Apron  BSA Both Side Aprons  
 RSA Right Side Apron  NSA No Side Apron

#### Apron Height (5" maximum)

3" (Std.)  Other \_\_\_\_\_"

Verify all rough-in dimensions prior to installation.

Consult local and national codes. Conformity and compliance to local and national codes is the responsibility of the installer.

**Standard Selections** (Must select one from each category)  
All OmniDecks are non-cancelable and non-returnable.

**Faucet**

- 4" Set** ..... 4" Centerset (1¼" Drilling Only)
- 8" Set** ..... 8" Centerset (1¼" Drilling Only)
- SHANK** ..... Centershank (1¼" Drilling Only)
- CAP-DCG** ..... Capacitive Faucet – Battery Operation
- CAP-DCA** ..... Capacitive Faucet – Battery Operation
- IR-DCD** ..... Infrared Faucet – Battery Operation
- NFD** ..... No Drilling (only available with no bowl option)

NOTE: Order S53-315 as a separate item.

**Water Supply (select one):**

- TMA** ..... Navigator™ Thermostatic Mixing Valve (with Stops and Supply Hoses)
- NONE** ..... No Valve Option Selected

**Soap** (for easy access, soap dispensers are not concealed by trap cover)

- 6315-KT0000** ..... Battery IR Metering Soap Dispenser Kit (with Batteries and 1,000-shot Soap)
- 6324** ..... 16-oz. Plastic Globe, 4" Spout
- 6324-67** ..... 16-oz. Stainless Steel Globe, 4" Spout
- 6324-68** ..... 32-oz. Plastic Globe, 4" Spout
- 6334** ..... 16-oz. Plastic Globe, 3½" Spout
- SDO** ..... 1¼" Soap Drilling Only
- NSD** ..... None

**Natural Quartz (Standard Colors):**

- |  |  |
|--|--|
| <input type="checkbox"/> <b>AB-GR</b> ..... Absolute Green   | <input type="checkbox"/> <b>KO-NA</b> ..... Kona Beige   |
| <input type="checkbox"/> <b>AM-PA</b> ..... Amarillo Palmira | <input type="checkbox"/> <b>MO-BL</b> ..... Monte Blanco |
| <input type="checkbox"/> <b>BL-SA</b> ..... Blue Sahara      | <input type="checkbox"/> <b>RO-GR</b> ..... Rio Grande   |
| <input type="checkbox"/> <b>CA-LI</b> ..... Capri Limestone  | <input type="checkbox"/> <b>TE-LE</b> ..... Teal Leaf    |
| <input type="checkbox"/> <b>CO-RB</b> ..... Coffee Brown     | <input type="checkbox"/> <b>UR-CR</b> ..... Cream        |
| <input type="checkbox"/> <b>GR-EX</b> ..... Grey Expo        | <input type="checkbox"/> <b>WH-NR</b> ..... White North* |
| <input type="checkbox"/> <b>KA-LA</b> ..... Kalahari         |  |

**Natural Quartz (Designer Colors, available at additional charge):**

- |   |   |
|---|---|
| <input type="checkbox"/> <b>AL-WH</b> ..... Alpina White    | <input type="checkbox"/> <b>SI-RI</b> ..... Sienna Ridge    |
| <input type="checkbox"/> <b>BA-MB</b> ..... Bamboo          | <input type="checkbox"/> <b>SI-MA</b> ..... Sierra Madre    |
| <input type="checkbox"/> <b>BL-CA</b> ..... Black Canyon    | <input type="checkbox"/> <b>ST-NI</b> ..... Stellar Night** |
| <input type="checkbox"/> <b>BL-MA</b> ..... Blanco Maple*   | <input type="checkbox"/> <b>ST-SN</b> ..... Stellar Snow*   |
| <input type="checkbox"/> <b>BA-BR</b> ..... Brazilian Brown | <input type="checkbox"/> <b>TI-SN</b> ..... Tigris Sand     |
| <input type="checkbox"/> <b>GI-QU</b> ..... Giallo Quarry   | <input type="checkbox"/> <b>WH-ZE</b> ..... White Zeus*     |
| <input type="checkbox"/> <b>IO-CO</b> ..... Ivory Coast     | <input type="checkbox"/> <b>YU-BL</b> ..... Yukon Blanco*   |
| <input type="checkbox"/> <b>MO-MI</b> ..... Mountain Mist   |   |

\* Color not available with Evero "Antarctica" bowl. Other colors not available that are not on this list are: Luna, Polar Cap, and White Diamond.

\*\* Not available with Evero "Punaluu Beach" bowl color. Other colors not available with Punaluu Beach that are not on this list are: Starlight and Tao.

Verify all rough-in dimensions prior to installation.

Consult local and national codes. Conformity and compliance to local and national codes is the responsibility of the installer.

**Other Natural Quartz Color:**

NOTE: For a complete list of colors, please refer to the LD-4010 color selection tab on bradleycorp.com.

**Recycled Surfacing (Designer Colors, available at additional charge):**

- |  |   |
|--|---|
| <input type="checkbox"/> <b>BL-FO</b> ..... Black Forest | <input type="checkbox"/> <b>PO-CA</b> ..... Polar Cap     |
| <input type="checkbox"/> <b>CR-AS</b> ..... Crystal Ash  | <input type="checkbox"/> <b>RI-BD</b> ..... Riverbed      |
| <input type="checkbox"/> <b>CR-SA</b> ..... Crystal Sand | <input type="checkbox"/> <b>ST-AR</b> ..... Starlight     |
| <input type="checkbox"/> <b>IR-OR</b> ..... Iron Ore     | <input type="checkbox"/> <b>TE-RA</b> ..... Terra         |
| <input type="checkbox"/> <b>LU-NA</b> ..... Luna         | <input type="checkbox"/> <b>WH-DM</b> ..... White Diamond |

**Evero Bowl Color (if applicable):**

- ANTARCTICA** ..... Antarctica
- MOJAVE** ..... Mojave
- PUNALUU** ..... Punaluu Beach NOTE: 110° F tempered line is required for this color.

**Mounting Brackets**

- BRKT** ..... Stainless Steel
- NONE** ..... Customer-Supplied Mtg.

**Waste Receptacle**

- WR** ..... 339-567 (21 Gallon Capacity Waste Receptacle)
- NONE** ..... No Receptacle

NOTE: Waste receptacles are only available on units with a 34" rim height and 4" or less front apron.

**Trap Cover**

- D-TRAP** ..... Stn. Steel Trap Cover
- NOTE: In order to allow for easy access to soap cartridges, the soap is not concealed by the trap cover.
- NONE** ..... No Trap Cover

**P-Trap**

- P-TRAP-C** ..... Chrome-Plated Brass
- P-TRAP-P** ..... Polypropylene
- NONE** ..... No P-trap

**Drain Assembly** (required if trap cover is selected)

- D-ASSY** ..... Drain Assembly
- NONE** ..... No Drain

**Seaming** (see  below)

- SEAM-R** ..... Seam Right
- SEAM-LR** ..... Seam Left and Right
- SEAM-L** ..... Seam Left
- NONE** ..... No Seaming

**Optional Selections**

- PT** ..... 110–120 VAC Plug-in Adapter to Convert Battery IR Faucet
- P19-231F** ..... AC Adapter – 6315 Soap Dispenser (must order as a separate line item)

ECO and Silestone are natural materials, therefore seams, where aprons and splashes are attached, may or may not be inconspicuous based on color selection. For example, the seams on white colors (White Zeus) and solid colors (Kensho) will be more visible than seams on multi-colors (Sierra Madre).

If seaming option is selected, a stone fabricator is required to seam the decks in the field with seaming materials supplied by fabricator. Units seamed in the field will be dry fit at the factory prior to shipment.

OmniDecks are not available in Silestone leather finishes.

Fabricated lengths are + 0" / -1/8". Please take special care when measuring lengths in alcoves or three-wall applications.