

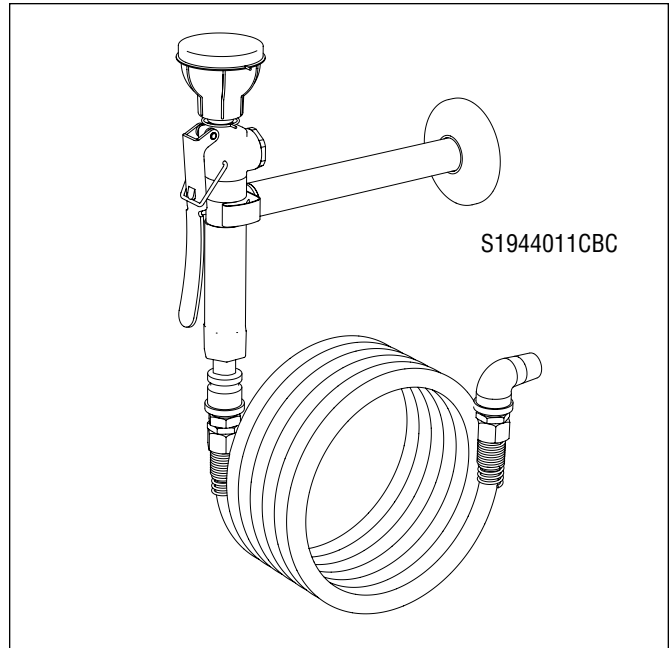
- Complies with American National Standard Z358.1
- Highly Visible Yellow-Colored Hose
- Eye/Face Sprayhead for flooding large areas as well as eyes only
- Wall Bracket Included
- Universal Identification Sign and Inspection Tag Included
- Full, One-Year Warranty
- Classified by Underwriters Laboratory Inc. to ANSI Z358.1



Specifications

Quick-access emergency eye and face spray features soft-flow sprayhead for flooding large areas as well as eyes only. Self-coiling hose retracts for easy storage while allowing instant extension in emergency situations. Water flows when handle is squeezed. Hand-held hose sprayhead includes antimicrobial protection. Operating range is 30–90 psi. Flow rate is 2.2–2.7 gpm.

- This plumbing fixture is not intended to dispense water for human consumption through drinking or for preparation of food or beverages.*
- Drench hoses must provide a controlled flushing fluid flow that is both tepid and non-injurious to the user per ANSI Z358.1. Refer to ANSI Z358.1 for complete regulatory information regarding the performance, installation, maintenance, and training requirements for drench hoses.*
- Installer to supply backflow prevention as required by UPC, IPC and/or local plumbing codes. Compliance with local codes is the responsibility of the installer. Backflow prevention valves are not included with the fixture and may be supplied by the contractor or purchased from Bradley Corporation. Contact Bradley or visit bradleycorp.com for available options.*



Standard Equipment

Sprayhead

Perforated sprayhead is ABS plastic and provides soft spray for flooding large areas as well as eyes only. Includes protective sprayhead cover. Integral flow control assures safe, steady flow under varying water supply conditions.

Valve

Chrome-plated brass with extended handle stays open once handle is squeezed.

Drench Hose

Yellow reinforced thermoplastic hose is self-coiling. 12' (3655mm) for Model S1944011CBC or 25' (7614mm) for Model S1944011CBD. Maximum working pressure of 170psi and burst strength of 3 times the working pressure. Supply is 1/2" NPT.

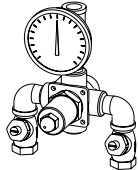
Wall Bracket

Metal parts of the bracket for sprayhead/valve assembly are stainless steel.

Recommended Option:

Navigator S19-2000 EFX8
Emergency Thermostatic Mixing Valve

NAVIGATOR



Satisfies ANSI Z358.1
tepid water requirements.

Model	Description
<input type="checkbox"/> S1944011CBC	Hand-Held Hose Spray with 12' Hose
<input type="checkbox"/> S1944011CBD	Hand-Held Hose Spray with 25' Hose
<input type="checkbox"/> S27-303	Series 7 Dual-Check Backflow Preventer
<input type="checkbox"/> S45-2309	Series 9 Dual-Check Vacuum Breaker
<input type="checkbox"/> S45-2310	Series 9D Dual-Check Backflow Preventer
<input type="checkbox"/> S19-2000	Navigator EFX8 Emergency Thermostatic Mixing Valve

Dimensions

