

Considerations

Note the following on your drawing, if applicable.

MEASUREMENT CONVENTIONS

- Compartment widths are measured wall to wall, wall to centerline of panel, and centerline of panel to centerline of panel.
- Compartment depths are measured from the back wall to front edge of the pilaster.
- Door opening size is measured from pilaster edge to pilaster edge.

MINIMUM COMPARTMENT DEPTH – INSWING DOORS

- Standard rule for inswing doors: add 30" (distance from back wall to front of toilet) plus door opening size. This is the minimum toilet compartment depth required for the door to swing into the compartment.

CEILING HEIGHT

- Overhead-braced partitions require a ceiling height of at least 88" or higher; the top of the headrail is 85" from finished floor.
- For ceiling-hung or floor-to-ceiling anchored pilasters, measure the ceiling height from finished floor to finished ceiling.
- Provide finished floor-to-ceiling measurements at each pilaster location in the layout when the floor across the front of the compartments slopes 1" or more.

WALL-TO-WALL MEASUREMENTS

- When toilet partitions are recessed between two building walls, the critical measurement is the smallest space between the walls.
- Measure wall-to-wall dimensions along the line of pilasters and doors in the compartment (the front).
- If there are existing wall treatments, measure the smallest distance (i.e. baseboard to baseboard); note on drawings and request gaps between pilaster and wall be kept to a minimum (1/2" minimum gap – 1" maximum gap).

ROOM TREATMENTS OR CONDITIONS

Many room treatments or conditions may affect measurements, such as cove moldings, tiled walls, windows and baseboard heaters. Be sure to note special conditions on your drawing.

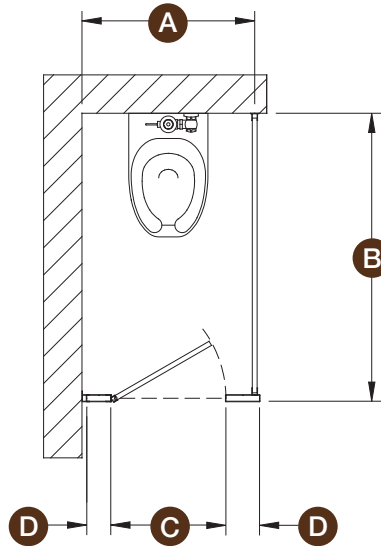


Getting Started

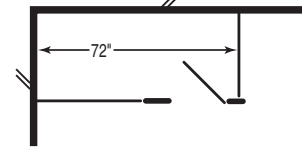
Simple drawings are often the best way to provide custom information to a manufacturer. Follow these simple guidelines when determining your exact partition specifications:

1. Draw the current wall locations. Please notate them with a thick line and/or double hash marks.
2. Note the toilet locations inside the stall.
3. Draw the current partitions, doors and pilasters. Remember to notate the opening and swing of each door (left or right, in or out).
4. Please notate any headrail location and size.
5. Refer to "Measurement Conventions" (above left) for additional details.

In-Corner Alcove

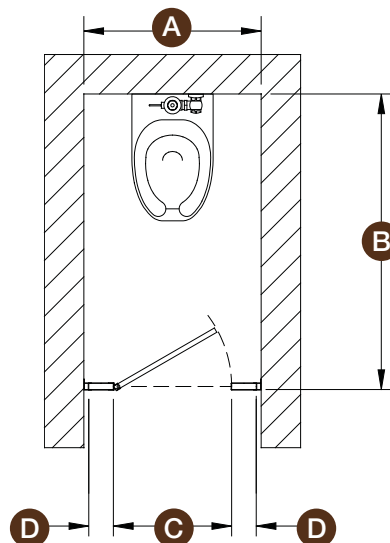


Refers to the specific layout where the single alcove compartment will be in a corner and require an end panel. Shown below with an additional 36" panel.

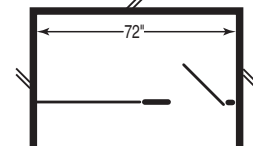


- A. Wall side to centerline of partition panel
- B. Depth of compartment (to front edge of pilaster)
- C. Width of door (pilaster to pilaster)
- D. Width of pilaster

Alcove

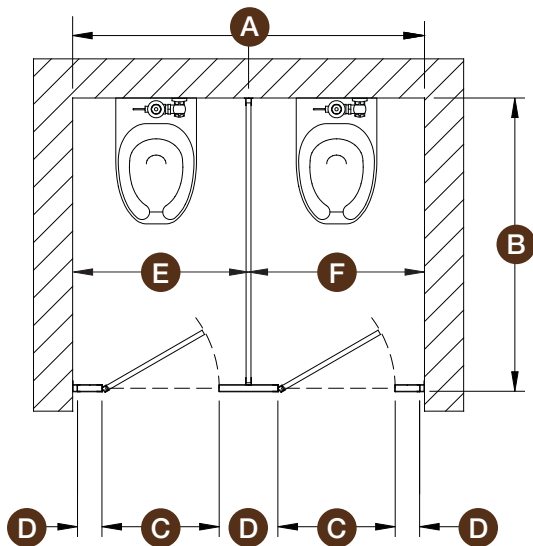


Refers to the specific layout where the single compartment will be attached to either two walls or one wall and the end of a run of compartments.

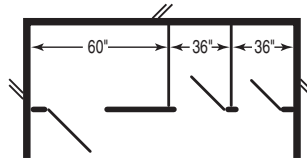


- A. Wall side to wall side
- B. Depth of compartment (to front edge of pilaster)
- C. Width of door (pilaster to pilaster)
- D. Width of pilaster

Between-Wall

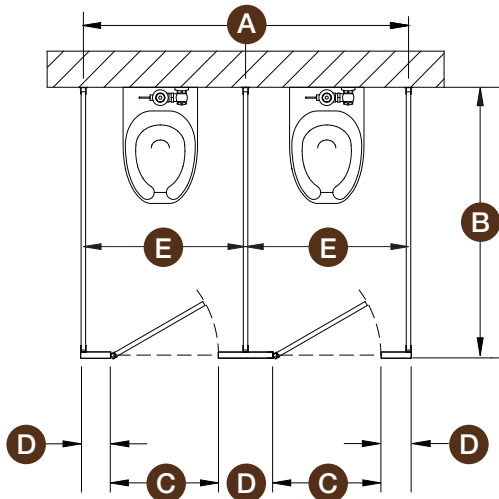


Refers to a compartment or compartments located between two walls. Shown below as one 60" compartment and two standard 36" compartments.

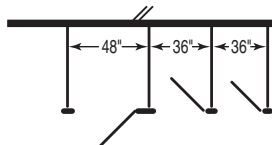


- A. Wall side to wall side
- B. Depth of compartment (to front edge of pilaster)
- C. Width of door (pilaster to pilaster)
- D. Width of pilaster
- E. Width of compartment (wall to centerline); standard or ADA
- F. Width of compartment (centerline to wall); standard or ADA

Freestanding

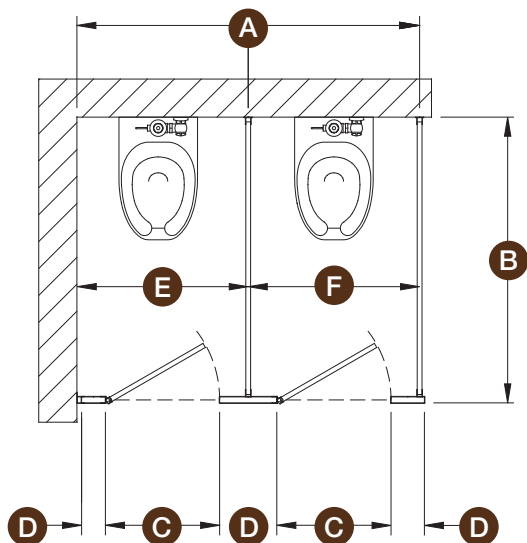


Refers to layouts where the compartments will be located without being affixed to lateral walls. Shown below as one 48" compartment and two standard 36" compartments.

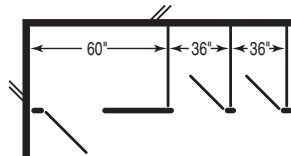


- A. Partition side to partition side
- B. Depth of compartment (to front edge of pilaster)
- C. Width of door (pilaster to pilaster)
- D. Width of pilaster
- E. Width of compartment (centerline to centerline); standard or ADA

Open-End (In-Corner)



Refers to a compartment or compartments that will be affixed laterally to only one wall. Shown below as one 60" compartment and two standard 36" compartments.



- A. Wall side to partition side
- B. Depth of compartment (to front edge of pilaster)
- C. Width of door (pilaster to pilaster)
- D. Width of pilaster
- E. Width of compartment (wall to centerline); standard or ADA
- F. Width of compartment (centerline to centerline); standard or ADA

ADA Guidelines



STANDARD COMPARTMENT (WHEELCHAIR ACCESSIBLE)

Required for all new construction and alterations with an outswinging door no more than 4" from the corner diagonally from the toilet. The toilet must be offset on the back wall with its centerline 18" from the nearest side wall or partition. Horizontal grab bars must be mounted behind the toilet and on the nearest side wall or partition.

STALL WIDTH 60" minimum (inside clear)

STALL DEPTH 56" min. (inside clear):
wall-mounted toilets

59" min. (inside clear):
floor-mounted toilets

STANDARD WALK-IN (36" WIDE) COMPARTMENT

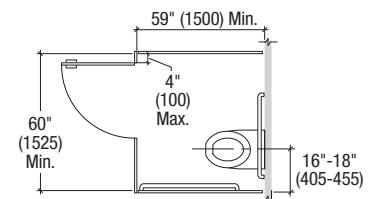
Ambulatory-accessible compartment with an outswinging door for washrooms with six or more toilets. The toilet must be centered on the back wall. Horizontal grab bars must be mounted on each side wall or partition.

Please note: Has unspecified clear opening for door size.

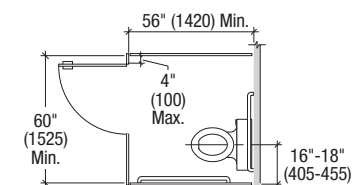
STALL WIDTH 36" min. & max. (inside clear)

STALL DEPTH Unspecified, can be same depth as adjoining stalls. 60" min. (inside clear) required by CABO/ANSI 92.

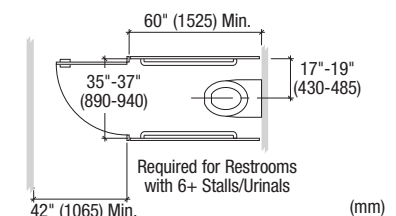
Wheelchair Accessible Compartment (Floor-Mounted Water Closet)



Wheelchair Accessible Compartment (Wall-Mounted Water Closet)




Ambulatory Compartment



For more information, access Bradley's *Universal Design Guide* on bradleycorp.com.

Partition Breakdown

PARTITION STYLE	APPLICATION	AVAILABLE MATERIALS
Sentinel™ Floor-Mounted, Overhead Brace (Series 400)	 <p>This style provides the most economical solution for heavy traffic and vandalism-prone areas. Because it requires no special floor or ceiling construction, installation is easy in new construction or existing buildings. The anti-grip headrail provides outstanding rigidity.</p>	<ul style="list-style-type: none"> • Fusion™ Granite • Baked Enamel • Bradmar® Solid Plastic • Solid Phenolic Core • Plastic Laminate • Stainless Steel
Floor-Braced (Series 500)	 <p>This style complements design with functional performance. Recommended for buildings with high ceilings, it enhances the effect of spaciousness. A minimum three inch concrete floor for anchoring is required.</p>	<ul style="list-style-type: none"> • Baked Enamel • Solid Phenolic Core • Plastic Laminate • Stainless Steel
Ceiling-Hung (Series 600)	 <p>This style is ideal for areas with low ceilings. Offering an area free from obstruction to allow for fast and easy maintenance, the system requires structural supports in the ceiling for maximum rigidity. Not recommended for ceiling heights over eight feet.</p>	<ul style="list-style-type: none"> • Baked Enamel • Solid Phenolic Core • Plastic Laminate • Stainless Steel
Floor-to-Ceiling (Series 700)	 <p>This style works well where additional support is required. Anchored at the floor and ceiling.</p>	<ul style="list-style-type: none"> • Baked Enamel • Bradmar® Solid Plastic • Solid Phenolic Core • Plastic Laminate • Stainless Steel

See bradleycorp.com for more information about Mills Partition materials and styles, and technical specifications.



Toilet Partitions Computation Guide

An In-Depth Guide
for Determining
Partition Layouts
and Dimensions

