

**Security framed wall mirror:**

**Model SA06 – Front Mounted**

**Product Materials**

**INTEGRAL FRAMED MIRROR:** 20 gauge stainless steel, polished to a #8 architectural bright finish. Stretcher leveled for uniformity. Very bright – excellent reflectivity, very slight polish grain.

Stainless steel mirrors will differ in optic quality from glass mirrors.

**Installation**

Verify all rough-in dimensions prior to installation. Unit supplied with 1/4" - 20 x 1 1/2" T27 torx head machine screws for installation to wall anchors (not included).

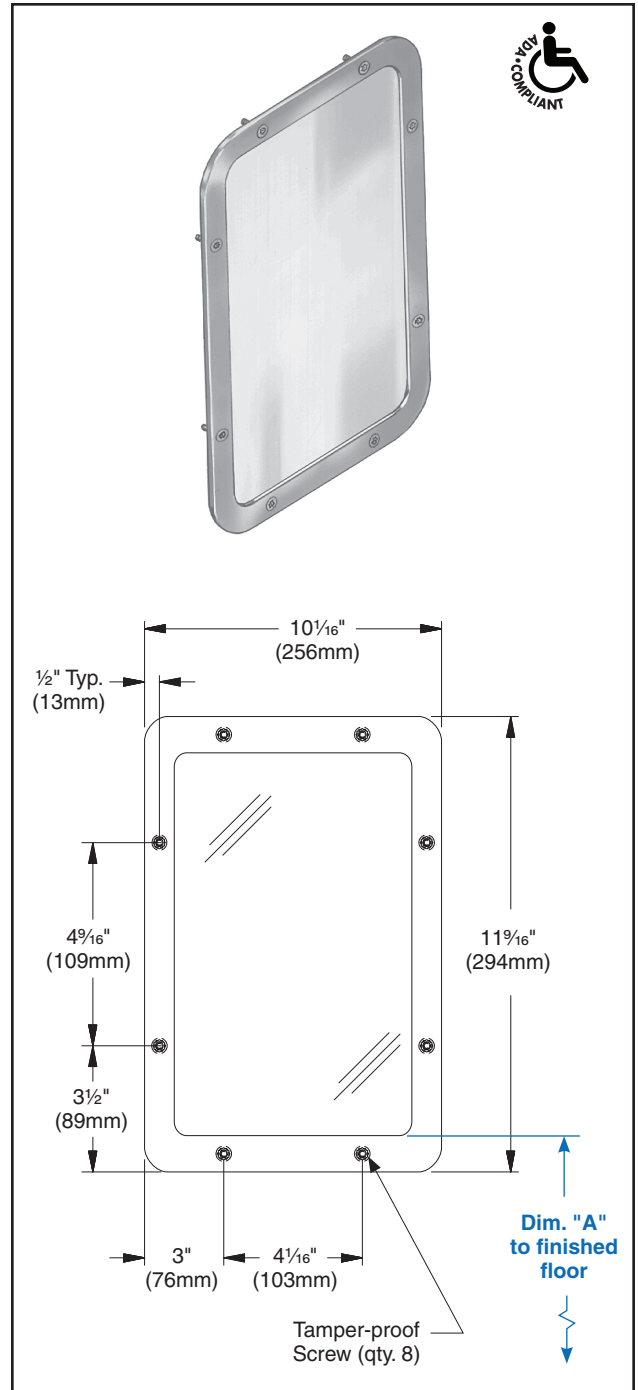
**Guide Specification**

Security mirror with integral frame shall be fabricated of 20 gauge stainless steel, with #8 architectural finish die formed from a single sheet. Frame has counter-sunk holes for mounting and is furnished with 1/4" - 20 x 1-1/2" T27 torx head machine screws.

**Overall dimensions: 10 1/16"W x 11 9/16"H x 1/4"D.**

**ADA Compliant**

- Consult local and national accessibility codes for proper installation guidelines.
- Conformity and compliance to local and national codes is the responsibility of the installer.



Dim. "A" Key Surface:	For Dim. "A"	Top of Unit	Bottom of Unit
Mirror's bottom edge of the reflective surface to finished floor	40" (1016mm)	50 1/2" (1283mm)	38 15/16" (989mm)
	37" (940mm)	47 1/2" (1207mm)	35 15/16" (913mm)
	34" (864mm)	44 1/2" (1130mm)	32 15/16" (837mm)
<b>Rough wall opening:</b>			
Surface Mount:	No rough wall opening, see overall dimensions		

**Washroom Accessories**  
Document No. 9185