

Parts & Service

Discontinued Models after
February 1, 2013

MF2902

Terrazzo Corner-Fount
Washfountain

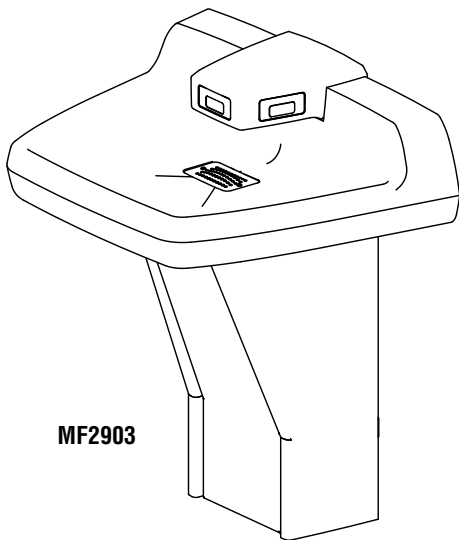
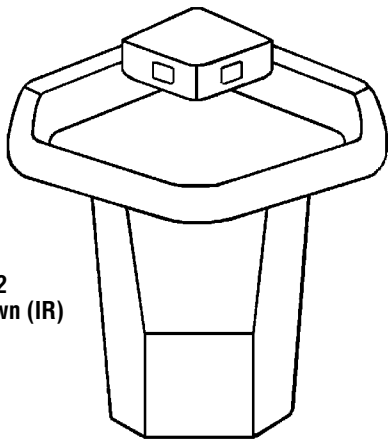
MF2903

Terrazzo Tri-Fount
Washfountain

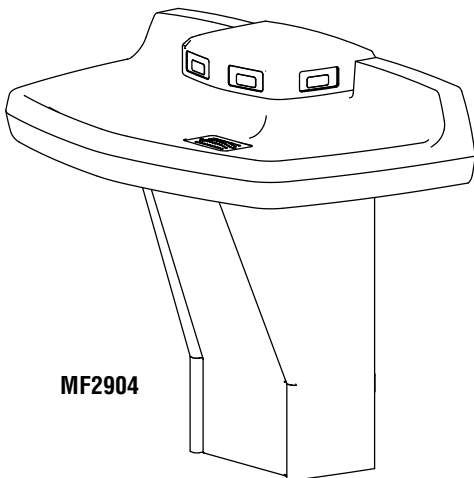
MF2904

Terrazzo Quadra-Fount
Washfountain

MF2902
Infrared Shown (IR)



MF2903

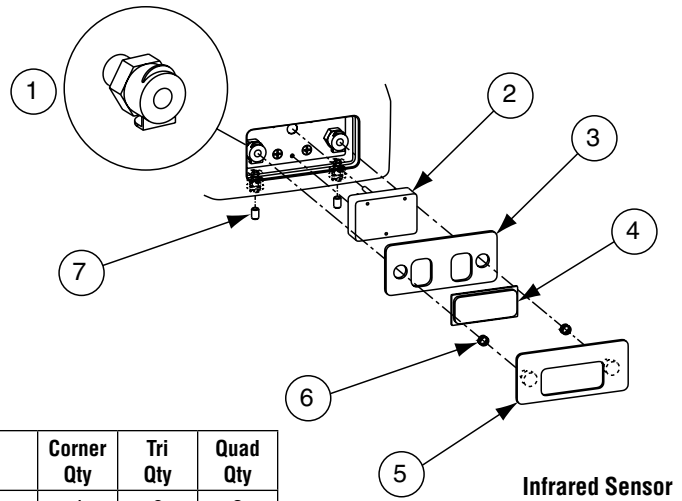


MF2904

Table of Contents

Infrared (IR) Sprayhead and Streamformer	2
TouchTime® (TT) Sprayhead and Streamformer	4
AST4 Streamformer and Push Button	6
TouchTime (TT) Valve Parts.....	8
Infrared (IR) and TouchTime (TT) Solenoid Valve	10
AST4 Air Metering Valve	11
AST4, TT & IR Supply.....	13
Supply and Mixing Valve	14
Soap System.....	15
Pedestal Assembly.....	17
Pedestal Panels	18
Drain Spud and Strainer	19
Bowl Maintenance Instructions	19

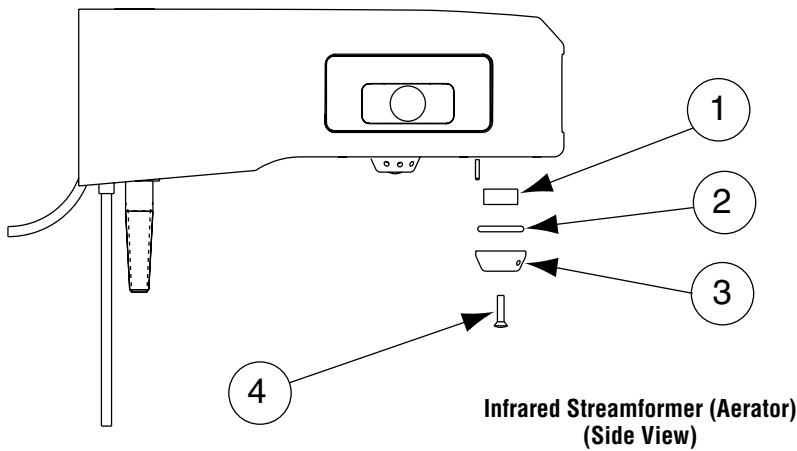
Infrared (IR) Sprayhead and Streamformer Parts and Replacement



Infrared Sensor and Sprayhead Assembly Parts List

Item	Part No.	Description	Corner Qty	Tri Qty	Quad Qty
1	269-382	Coupling Nut - Quick Disconnect	4	6	8
2	S65-107	MF Sensor Repair Kit (269-1184 w/269-621 connectors)	-	-	-
3	124-070	Gasket, MF Window Terrazzo	2	6	8
4	269-604	Window, IR MF Terrazzo	2	6	8
5	S53-127	Window Plate, IR MF Terrazzo	2	6	8
6	135-049	Spring, Window Plate	2	6	8
7	160-246	Screw 1/4-20 x 3/8, Set SC 18-8 SS	2	6	8
*	269-621	Female Connector (3 required per 269-1184)	6	9	12

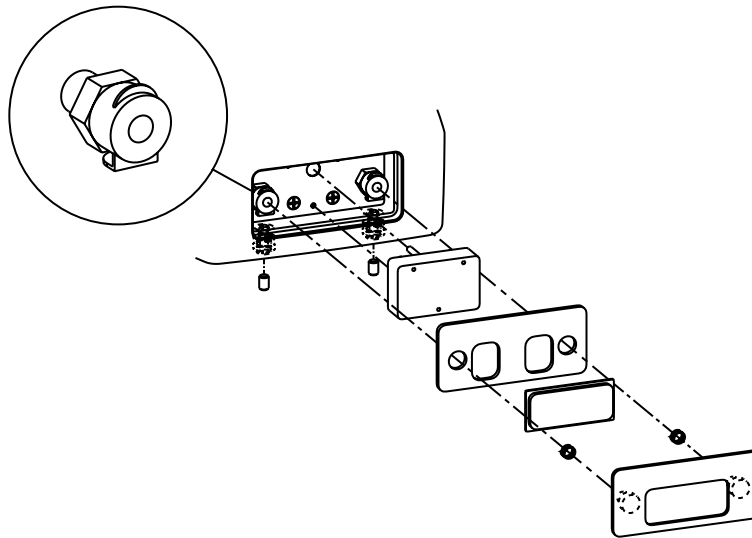
* Not Illustrated



Streamformer Assembly Parts List

Item	Part No.	Description	Corner Qty	Tri Qty	Quad Qty
1	269-508	Sprayhead Diffuser MF	2	3	4
2	125-001CK	O-Ring	2	3	4
3	115-125	Streamformer	2	3	4
4	160-289	Screw 8-32 x 3/4, Oval Head	2	3	4

Infrared (IR) Sprayhead and Streamformer Parts and Replacement (continued)



1 Remove the Sensor or Window

A Use an 1/8" allen wrench to remove the window release set screws, located under the sprayhead. This allows access to the release holes under the sensor.

B Gently push the allen wrench into a release hole until the spring clip lever on the quick release clicks open. Repeat for the other spring clip. This will release the window plate, window and gasket.

C Cut the insulated terminals off the sensor cable and remove the sensor.

2 Reinstall the Sensor or Window

A Insert the replacement sensor cable into the cavity and feed thru to the pedestal; use existing wire as a guide through the sprayhead hole.

B From the pedestal below, pull on the sensor cable to pull the remaining cable through.

C Install and tighten the three sensor screws.

D Connect the sensor cable terminals.

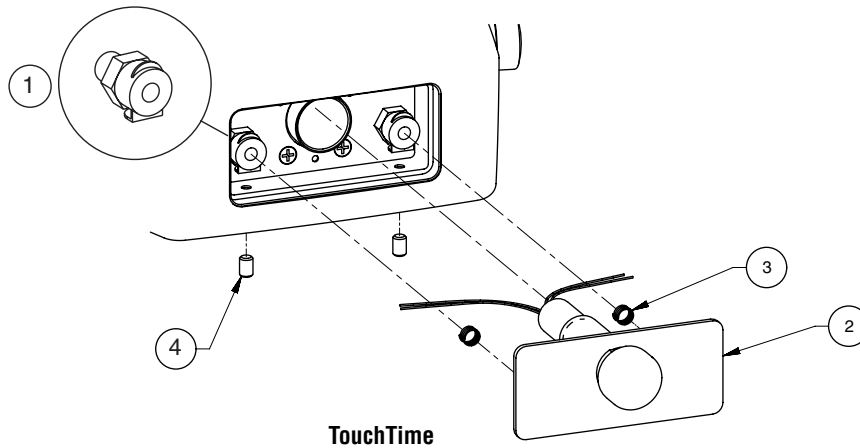
E Before reinstalling the window plate, window and gasket, make sure the spring clip levers on the quick release are locked open as outlined above.

F Position the window gasket over the sensor making sure the sensor eyes align to the gasket holes.

G Insert the window into the window plate assembly and insert the assembly pins through the gasket. Press firmly on the outer edge of the plate assembly until it clicks (locks) into position.

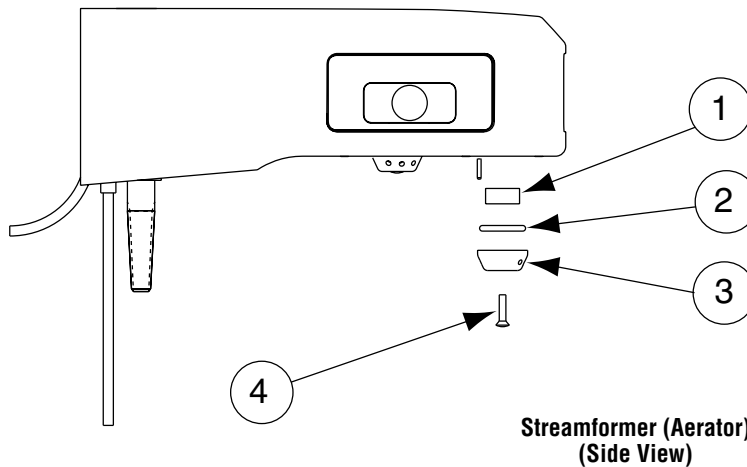
H Reinstall the window release set screws on the underside of the sprayhead.

TouchTime® (TT) Sprayhead and Streamformer Parts and Replacement



Touchtime Switch Assembly Parts List

Item	Part No.	Description	Corner Qty	Tri Qty	Quad Qty
1	269-382	Coupling Nut - Quick Disconnect	4	6	8
2	S83-187	Push Button ASM-TT	2	3	4
3	135-049	Spring-Window Plate	4	6	8
4	160-246	Screw 1/4-20 x 3/8, Set SC 18-8 SS	4	6	8

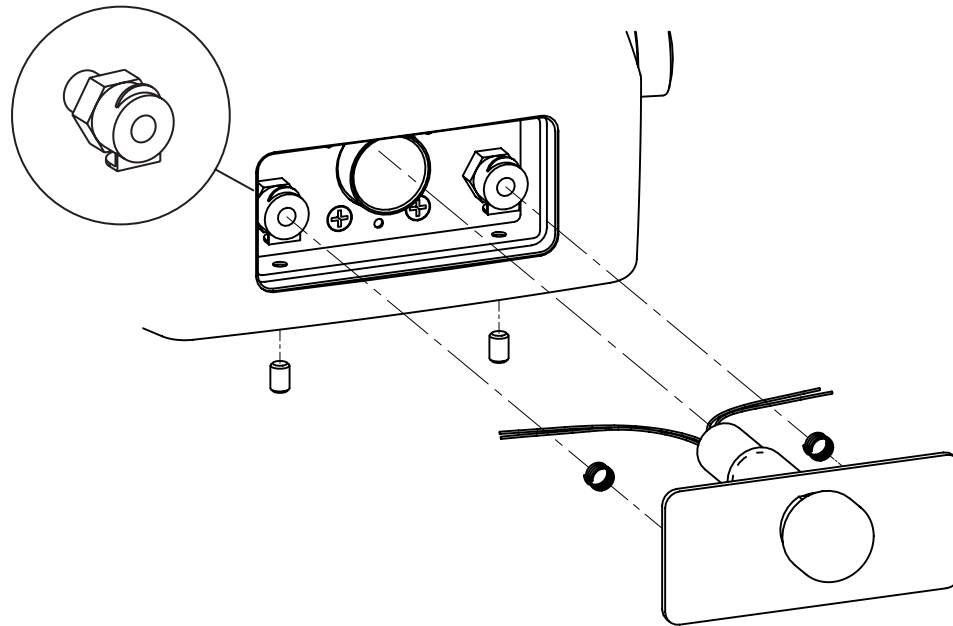


**Streamformer (Aerator)
(Side View)**

Streamformer Assembly Parts List

Item	Part No.	Description	Corner Qty	Tri Qty	Quad Qty
1	269-508	Sprayhead Diffuser MF	2	3	4
2	125-001CK	O-Ring	2	3	4
3	115-125	Streamformer	2	3	4
4	160-246	Screw 8-32 x 3/4, Oval Head	2	3	4

TouchTime® (TT) Sprayhead and Streamformer Parts and Replacement (continued)



1 Remove the Sensor or Window

A Use an 1/8" allen wrench to remove the push button release set screws, located under the sprayhead. This allows access to the release holes under the push button.

B Gently push the allen wrench into a release hole until the spring clip lever on the quick release clicks open. Repeat for the other spring clip. This will release the push button.

C Cut the insulated wire off the push button and remove push button. (Leave wire to use as guide to install new push button and wire.)

2 Reinstall the Sensor or Window

A Insert the replacement push button cable into the cavity and feed through to the pedestal; use existing wire as a guide through the sprayhead hole.

B From the pedestal below, pull on the push button cable to pull the remaining cable through.

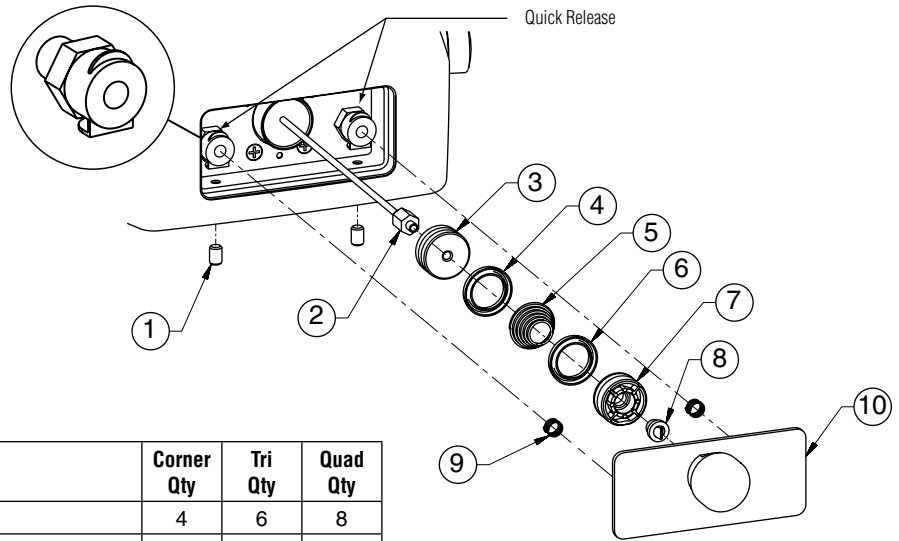
C Connect the sensor cable terminals.

D Before reinstalling the push button plate assembly, make sure the spring clip levers on the quick release are locked open as outlined above.

E Insert the push button into the window plate assembly. Press firmly on the outer edge of the plate assembly until it clicks (locks) into position.

F Reinstall the push button release set screws on the underside of the sprayhead.

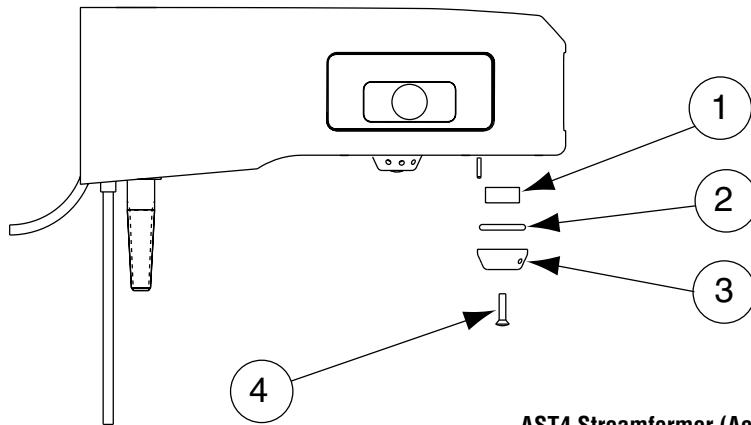
AST4 Streamformer and Push Button Parts and Replacement



AST4 Push Button

AST4 Push Button Parts List

Item	Part No.	Description	Corner Qty	Tri Qty	Quad Qty
1	160-246	Screw, Set 1/4 x 20	4	6	8
2	169-890	Tube Connector	2	3	4
3	118-313	Plug	2	3	4
4	125-157	O-Ring	2	3	4
5	135-065	Spring	2	3	4
6	125-099	U-Cup	2	3	4
7	119-227A	Piston	2	3	4
8	198-010	Check Valve - Duckbill	2	3	4
9	135-049	Spring - Window Plate	4	6	8
10	S83-156	Push Button ASM Air	2	3	4

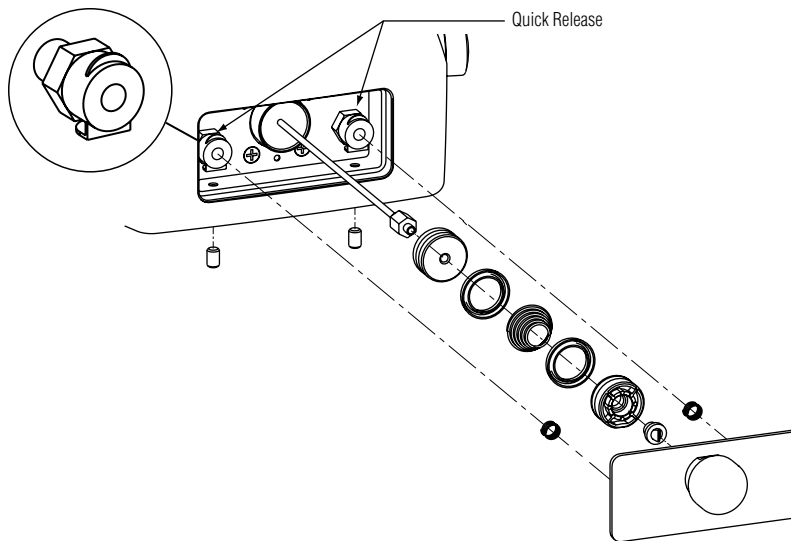


AST4 Streamformer (Aerator)
(Side View)

Streamformer Assembly Parts List

Item	Part No.	Description	Corner Qty	Tri Qty	Quad Qty
1	269-508	Sprayhead Diffuser MF	2	3	4
2	125-001CK	O-Ring	2	3	4
3	115-125	Streamformer	2	3	4
4	160-246	Screw 8-32 x 3/4, Oval Head	2	3	4

AST4 Streamformer and Push Button Parts and Replacement (continued)



1 Remove the Push Button Assembly

A Use an 1/8" allen wrench to remove the window release set screws, located under the sprayhead. This allows access to the release holes under the sensor.

B Gently push the allen wrench into one of the release holes until the spring clip lever on the quick release clicks open. Repeat for the other spring clip. This will release the push button plate.

C Remove the push button, piston, U-cup (located on piston) and spring.

D In order to access the tube connector it is first necessary to remove the brass plug. Carefully insert a #8-32 threaded screw into the center of the plug and pull it out, exposing the connection tube end.

E Disconnect the tubing connector from the air line.

2 Reinstall the Push Button Assembly

A Connect the air line to the tubing connector, and fit the plug, piston and spring into the housing.

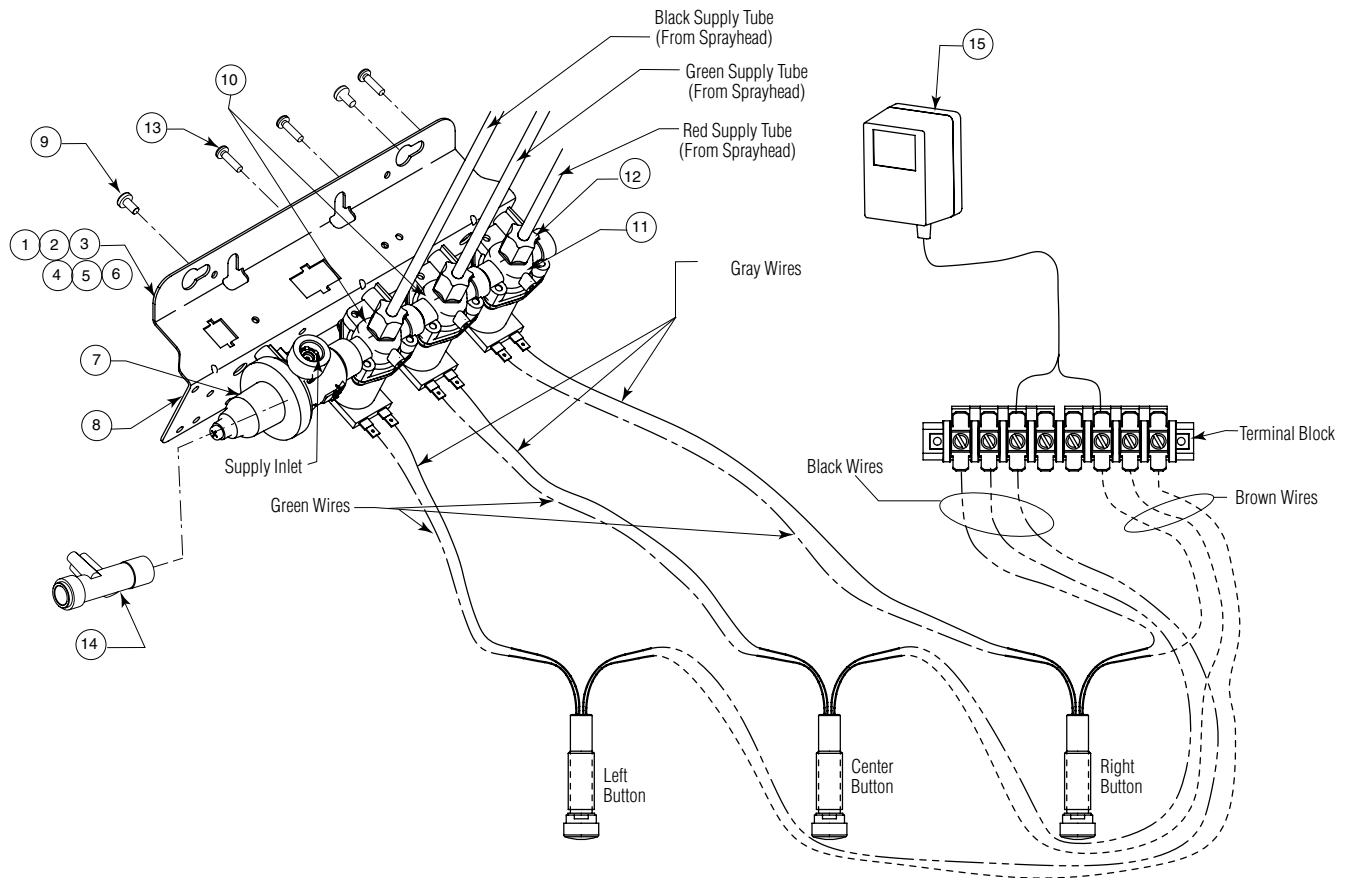
B Insert the replacement push button into the cavity.

C Before reinstalling the button plate, make sure the spring clip levers on the quick release are locked open as outlined above.

D Insert the button plate assembly pins through the gasket. Press firmly on the outer edge of the plate assembly until it clicks (locks) into position.

E Reinstall the button release set screws on the underside of the sprayhead.

TouchTime® (TT) Valve Parts

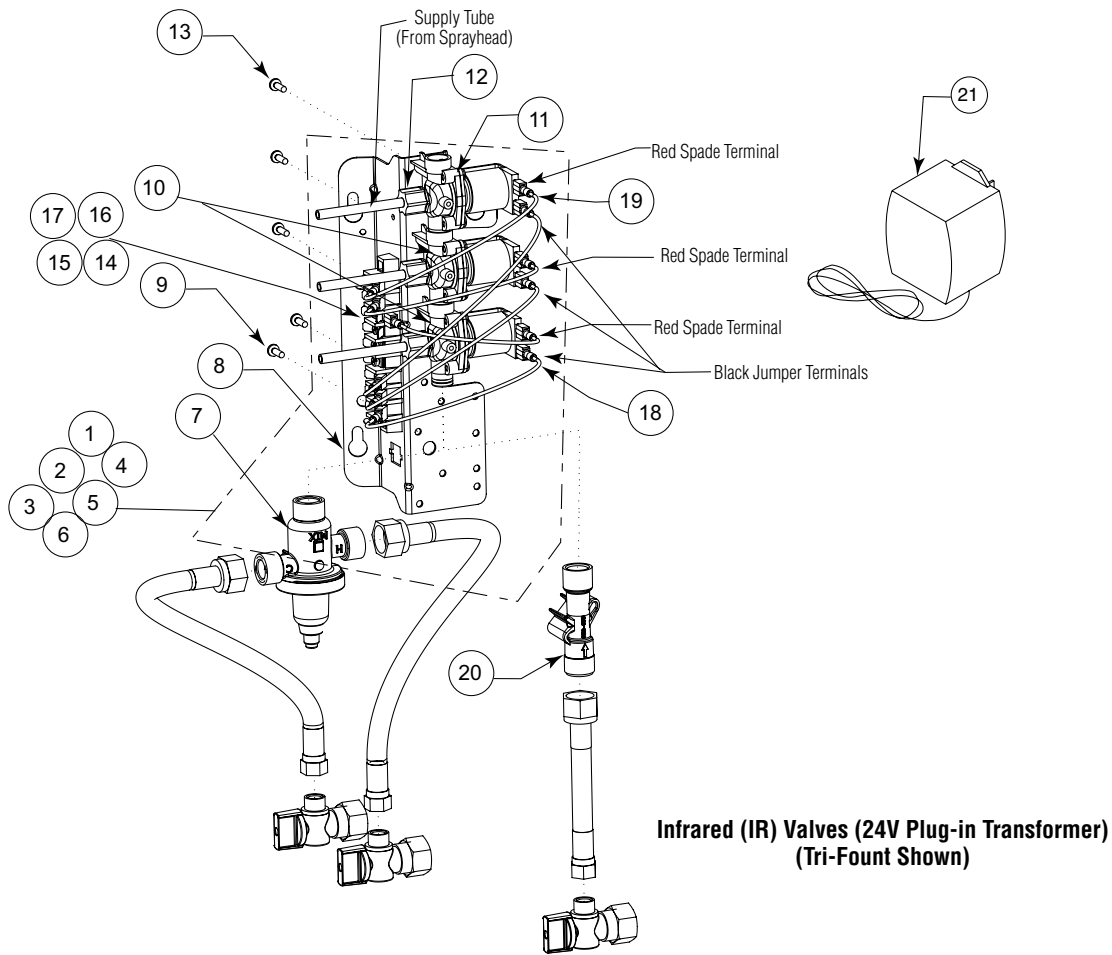


**TouchTime (TT) Valve
(Tri-Fount Shown)**

TouchTime Air Metering Valve Assembly Parts List

Item	Part No.	Description	Corner Qty	Tri Qty	Quad Qty
1	S45-2494	TT TMA Dual Valve Assembly (Transformer not included)	1	-	-
2	S45-2495	TT TL Dual Valve Assembly (Transformer not included)	1	-	-
3	S45-2498	TT TMA Tri Valve Assembly (Transformer not included)	-	1	-
4	S45-2499	TT TL Tri Valve Assembly (Transformer not included)	-	1	-
5	S45-2519	TT TMA Quad Valve Assembly (Transformer not included)	-	-	1
6	S45-2520	TT TL Quad Valve Assembly (Transformer not included)	-	-	1
7	S01-526	Navigator Valve, 4 GP	1	1	1
8	140-928	Bracket, Ganged Valve	1	1	1
9	P18-054	Screw 10-24 x 3/8 PN	2	2	2
10	S07-068A	Solenoid Valve, 24 VAC, Through	1	2	3
11	S07-068	Solenoid Valve, 24 VAC, Closed	1	1	1
12	110-231	Compression Nut, 1/4"	2	3	4
13	160-447	Screw 8-16 x 5/8 PN	2	3	4
14	S39-804	Adapter, Valve Inlet	1	1	1
15	S83-134	Transformer	1	1	1

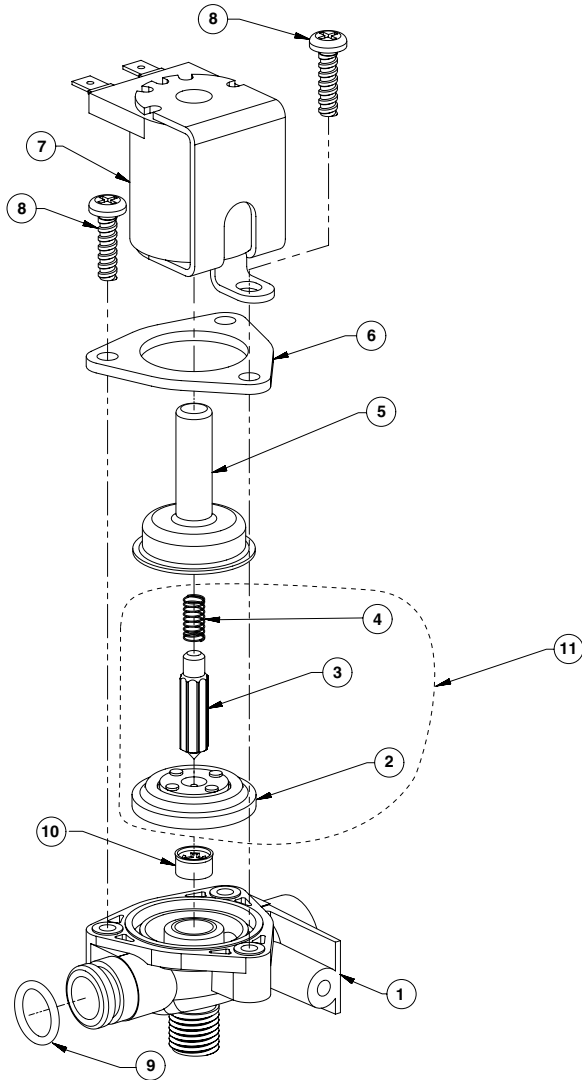
Infrared (IR) Solenoid Valve Parts and Troubleshooting



Solenoid Assembly and Valve Parts List

Item	Part No.	Description	Corner Qty	Tri Qty	Quad Qty
1	S45-2570	IR TMA Dual Valve Assembly (includes 7-19)	1	–	–
2	S45-2571	IR TL Dual Valve Assembly (includes 8-20)	1	–	–
3	S45-2572	IR TMA Tri Valve Assembly (includes 7-19)	–	1	–
4	S45-2573	IR TL Tri Valve Assembly (includes 8-20)	–	1	–
5	S45-2574	IR TMA Quad Valve Assembly (includes 7-19)	–	–	1
6	S45-2575	IR TL Quad Valve Assembly (includes 8-20)	–	–	1
7	S01-526	Navigator Valve, 4 GP	1	1	1
8	140-928	Bracket, Ganged Valve	1	1	1
9	P18-054	Screw 10-24 x 3/8 PN	2	2	2
10	S07-068A	Solenoid Valve, 24 VAC, Through	1	2	3
11	S07-068	Solenoid Valve, 24 VAC, Closed	1	1	1
12	110-231	Compression Nut, 1/4"	2	3	4
13	160-447	Screw 8-16 x 5/8 PN	2	3	4
14	269-625	Terminal Block	1	1	–
15	269-647	Terminal Block	–	–	1
16	160-329	Screw (Terminal Blk)	2	2	2
17	161-069	Nut (Terminal Blk)	2	2	2
18	S53-128	Wire Assy (Black)	2	3	4
19	S53-129	Wire Assy (Red)	2	3	4
20	S39-804	Adapter, Valve Inlet	1	1	1
21	S83-134	Transformer	1	1	1

Infrared (IR) and TouchTime (TT) Solenoid Valve Parts and Troubleshooting (continued)



Solenoid Valve Parts List

Item	Part No.	Description	Qty
1	118-307	Valve Body, 1/4" Closed	1
1	118-307A	Valve Body, 1/4", Through	1
2	269-983	Diaphragm	1
3	269-577	Armature	1
4	269-578	Spring	1
5	269-1729	Armature Housing	1
6	269-1730	clamp, Armature Housing	1
7	269-579	Coil, Solenoid Valve	1
8	160-447	Screw #8 x 5/8	3
9	125-165	O-Ring, #2-013	1
10	125-160	Flow Restrictor, 0.5 GPM	1
11	S65-113	Repair Kit	1

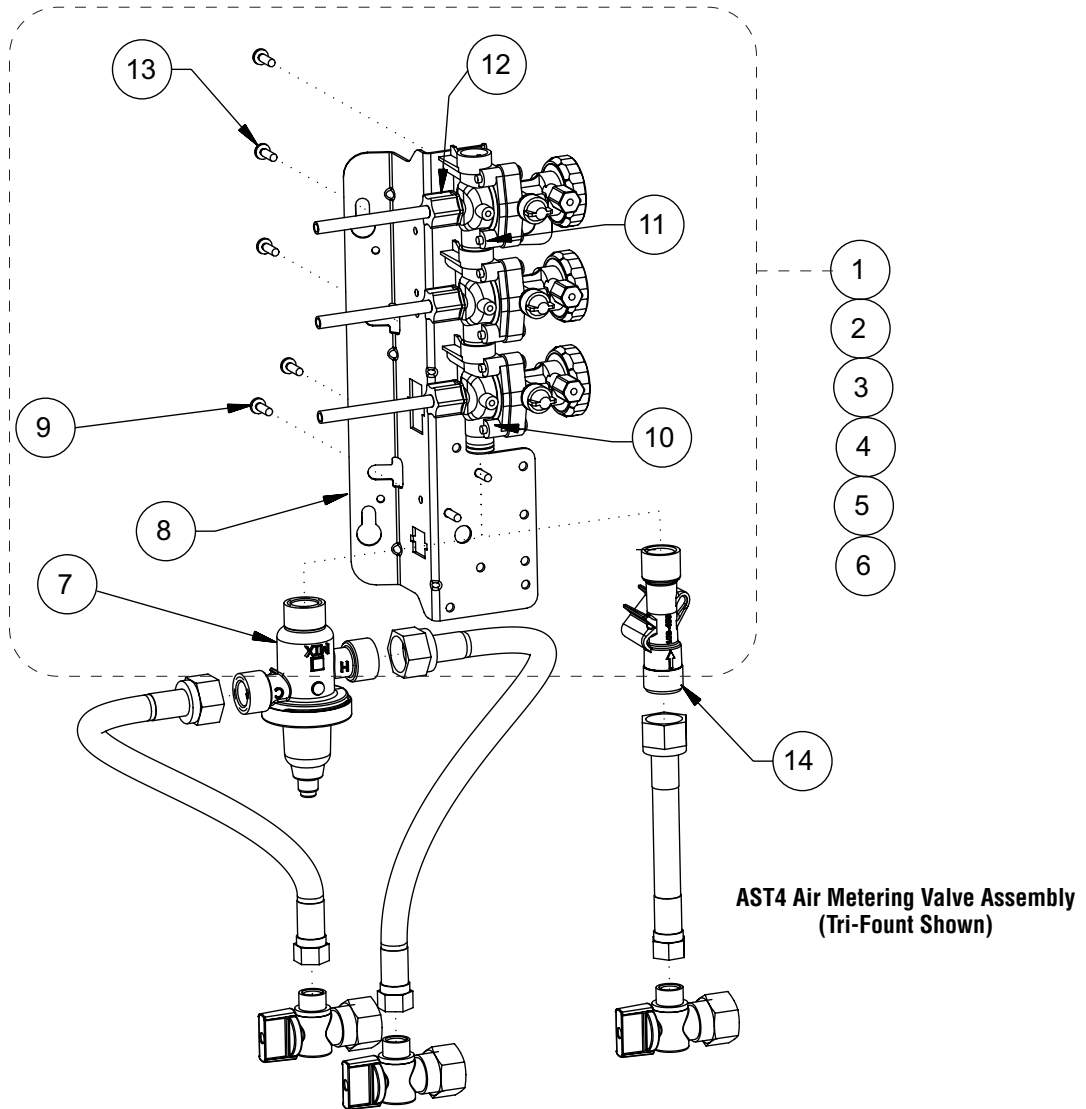
Infrared (IR) Assembly Solenoid Valve S07-068 (Closed Body) and S07-068A (Through Body)



CAUTION: Turn off water supplies to unit before troubleshooting.

Problem	Cause	Solution
An individual operating station fails to shut off and drips.	There is debris trapped between the diaphragm and the valve seat.	Remove debris between diaphragm and the valve seat. 1. Remove the three #8 Phillips-head screws that hold the solenoid valve assembly together. Be careful not to lose the armature or spring (see previous page). 2. Remove the diaphragm. Remove any particles that have been trapped between the diaphragm and the valve seat. Rinse off the diaphragm and inspect for damage. Make sure the center orifice and both small side orifices are open. 3. Reassemble in reverse order, being careful not to overtighten the Phillips-head screws or you may crack the plastic valve body. Tighten until the armature plate makes contact with the plastic body. 4. Reconnect the wiring per diagram.
An individual operating station fails to turn on.	A failed coil for the valve or loose electrical connection to the terminal.	Test the station to determine cause. 1. Disconnect the wires from the coil of an adjacent valve. Disconnect the wires from the problem valve and reconnect to the adjacent valve. 2. Turn on electrical and water supplies to the unit. Place hands in front of sensor for the problem station; the adjacent station should turn on. If the adjacent station turns on and cycles normally, replace the coil on the problem valve. If the adjacent valve fails to turn on, inspect the wires from the sensor cable and do the following: <ul style="list-style-type: none"> • make sure there are no breaks and that the fully insulated disconnect terminals are firmly crimped in place; • turn off the electrical and water supplies; • reconnect to the adjacent valve and turn on the water supplies to the unit; • place hands in front of sensor. If the station still fails to turn on, replace the sensor.

AST4 Air Metering Valve Parts and Troubleshooting



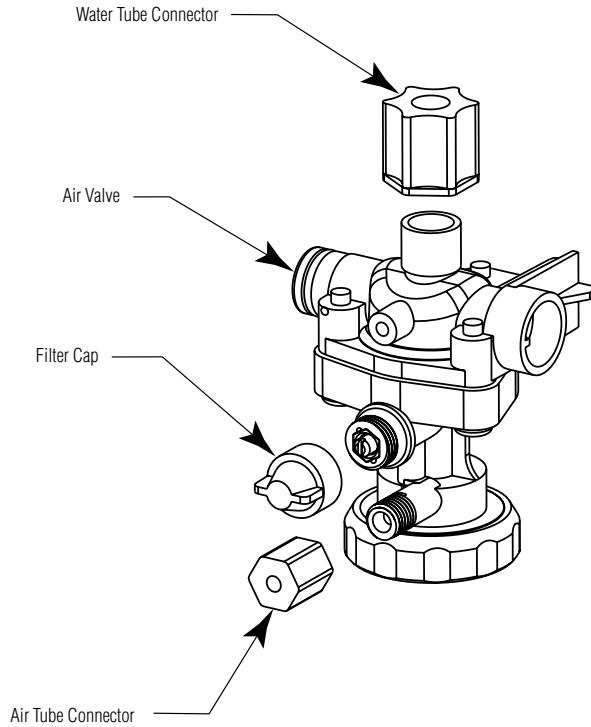
AST4 Air Metering Valve Assembly Parts List

Item	Part No.	Description	Corner Qty	Tri Qty	Quad Qty
1	S08-1452TMA	TMA Dual Valve Assembly (includes 7-13)	1	–	–
2	S08-1452TL	TL Dual Valve Assembly (includes 8-14)	1	–	–
3	S08-1453TMA	TMA Tri Valve Assembly (includes 7-13)	–	1	–
4	S08-1453TL	TL Tri Valve Assembly (includes 8-14)	–	1	–
5	S08-1454TMA	TMA Quad Valve Assembly (includes 7-13)	–	–	1
6	S08-1454TL	TL Quad Valve Assembly (includes 8-14)	–	–	1
7	S01-526	Navigator Valve, 4 GP	1	1	1
8	140-928	Bracket, Ganged Valve	1	1	1
9	P18-054	Screw 10-24 x 3/8 PN	2	2	2
10	S07-078A	AST4 Valve, Through	1	2	3
11	S07-078	AST4 Valve, Closed	1	1	1
12	110-231	Compression Nut, 1/4"	2	3	4
13	160-447	Screw 8-16 x 5/8 PN	2	3	4
14	S39-804	Adapter, Valve Inlet	1	1	1

AST4 Air Metering Valve Parts and Troubleshooting (continued)

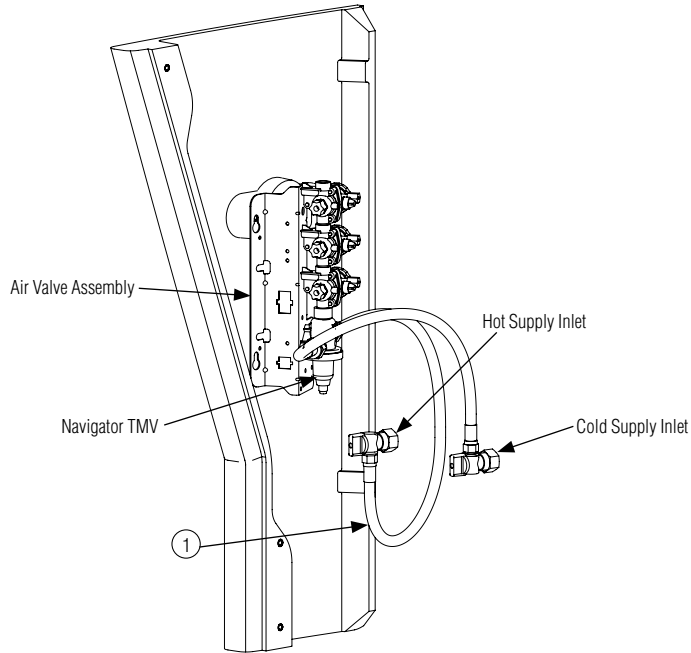


The air valve timer is located next to the tube connector on the air valve body. The timer is capped with a filter to prevent dirt build-up on the timer. The air valve timing can be adjusted from 5–60 seconds.

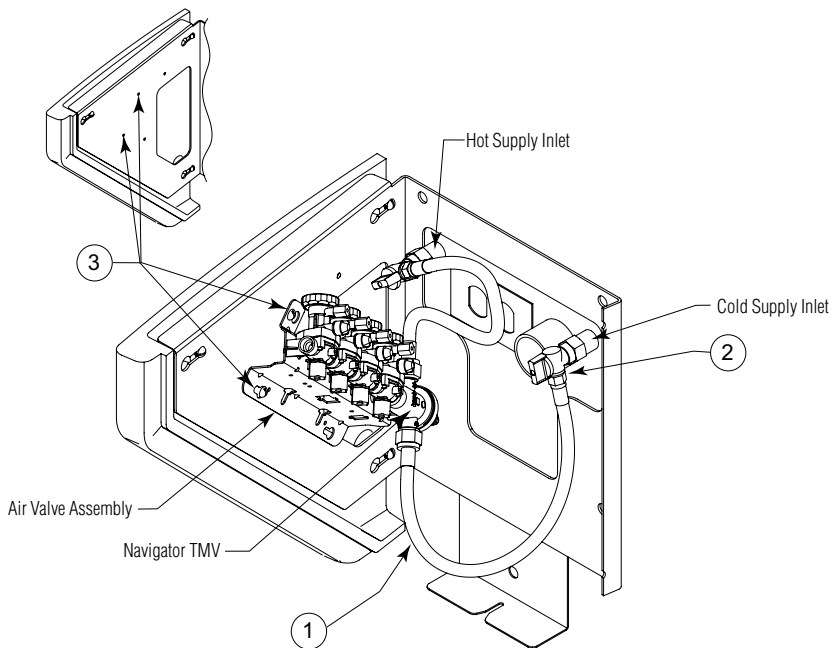


Problem	Cause	Solution
	Air valve meter time needs adjusting.	Adjust air valve meter time: 1. Remove filter cap and use a screwdriver to tighten or loosen the timer (see illustration above). Turning the timer clockwise increases the time; turning the timer counterclockwise decreases the time. 2. Continue to adjust until the timer is set at desired length. 3. Replace filter cap over the timer.
Valve will not shut off.	Timing mechanism is clogged.	Clean and inspect timing mechanism: 1. If compressed air is available, blow water and debris from timer cover of timing mechanism. 2. Turn adjusting screw out all the way. Clean and inspect screw and valve body. 3. Turn adjusting screw in to desired cycle time.
Valve will not turn on.	Water is not being supplied to unit.	Open all stops on mixing valve.
	Water pressure is over 80 PSI.	Install a pressure reducing valve.
	Failed diaphragm/magnet assembly.	Unscrew the valve clamp nut on valve. Remove valve cover. Gently press the diaphragm. The valve should activate. If not, replace the diaphragm/magnet assembly.
Timing can not be adjusted for more than 5 seconds.	There is an air leak.	Check the valve assembly: 1. Check all tubing and fittings for proper assembly. 2. Tighten cap and nut on 1/8" tubing.
Push button does not work properly.	Air volume may not be sufficient to operate valve.	Check for leaks and lubricate U-cup: 1. Check all fittings for air leaks. 2. Disassemble push button and lubricate U-cup seal.
Water is dripping from the streamformers.	Debris has accumulated on valve seat or orifices.	Clean and inspect valve seat. 1. Remove screws and disassemble metering valve. 2. Clean valve seat and inspect for deep gouges or scratches. Replace valve body if necessary. 3. Remove any debris clogging off-center hole in rubber diaphragm.

AST4, TT & IR Supply Parts



**AST4, TT & IR Supply and Mixing Valve - Floor Mount
(Tri-Fount Shown)**



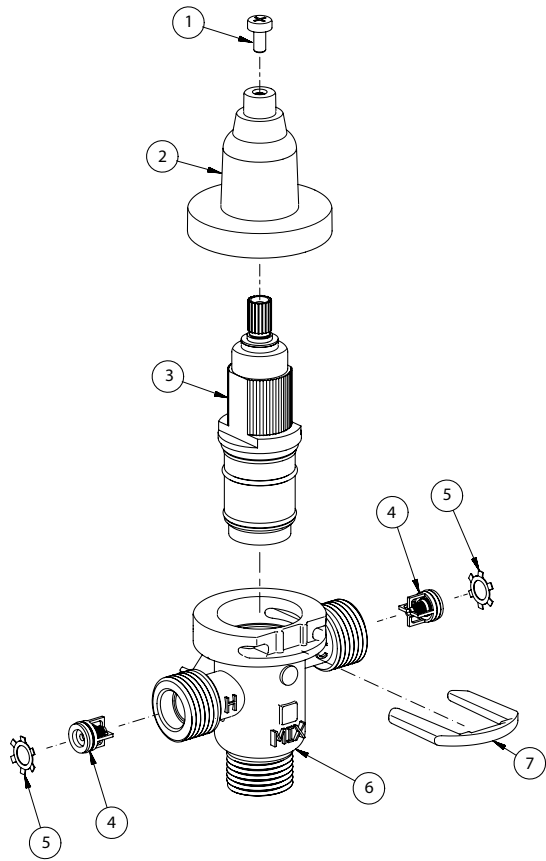
**AST4, TT & IR Supply and Mixing Valve - Wall Mount
(Quadra-Fount Shown)**

Supply Parts List

Item	Part No.	Description	Corner Qty	Tri Qty	Quad Qty
1*	269-2053	Flex Hose	2	2	2
2*	S27-340	Stop	2	2	2
3	160-169	Screw	2	2	2

* Use Qty 1 for TL option, all models.

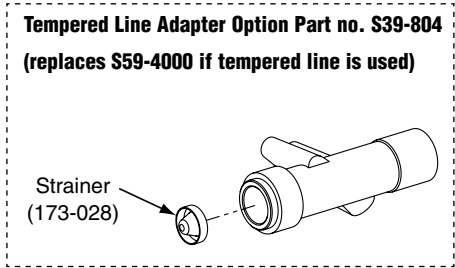
Supply and Mixing Valve Parts



Parts List

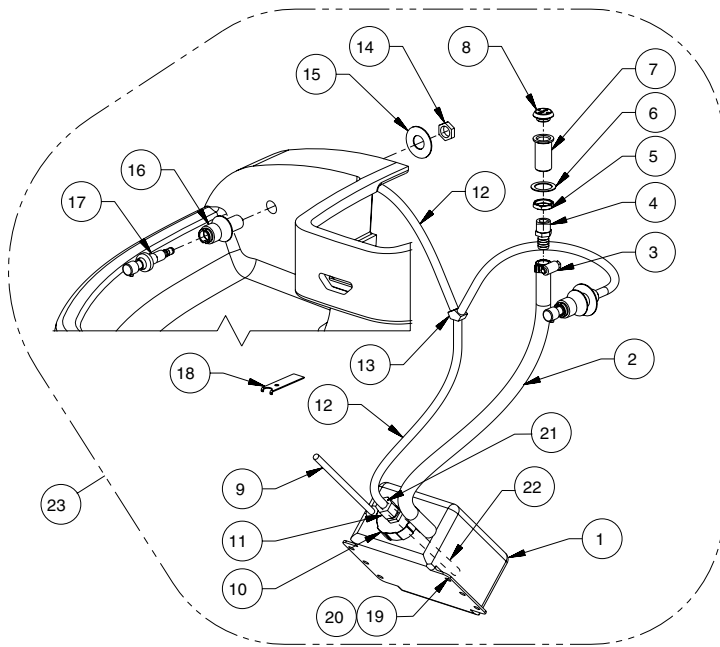
Item	Part No.	Description	Quantity
			S59-4000
1	160-463	Cap Screw	1
2	107-582	Cover	1
3	269-1927	Thermostatic Cartridge	1
4	198-014	Check Valve*	2
5	132-051	Retaining Ring*	2
6	118-319	Valve Body	1
7	146-079	U-Clip	1

* Included with Prepack S65-326



Navigator Thermostatic Mixing Valve (S01-526)

Soap System Parts and Maintenance Tips



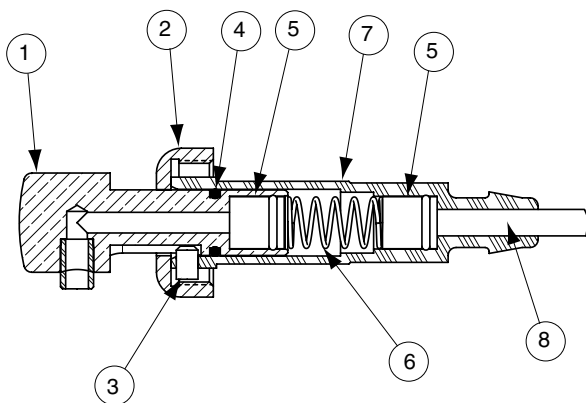
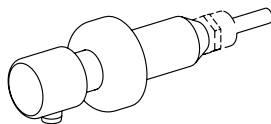
Soap System

Soap System Parts List

Item	Part No.	Description	Qty
1	240-001	Soap Tank	1
2	169-989	Hose 5/8 ID	*
3	146-040	Hose Clamp	1
4	169-916	Male Fitting	1
5	110-093	Nut	1
6	142-002CJ	Washer	1
7	153-174	Filler	1
8	136-011	Soap Filler Cap	1
9	R68-600021	Tube Vent 3/16	*
10	136-049	Soap Tank Cap	1
11	269-1832	Bulkhead Fitting	1
12	R68-800002	Tube Supply 1/2	*
13	269-1183	Tee	1
14	110-115	Nut	2
15	142-002CB	Washer	2
16	S52-109	Soap Valve Body Assembly	2
17	S09-083	Soap Valve	2
18	130-142	Soap Filler Cap Wrench	1
19	161-026	Nut	2
20	142-002AV	Washer	2
21	269-1834	Ferrule	1
22	R68-600012	Tube	*
23	S50-409	Complete Soap System (Includes Items 1-22)	1

* Specify length in feet.

Soap Valve S09-083



Soap Valve S09-083 Parts List

Item	Part No.	Qty.	Description
	S09-083	1	Soap Valve Complete
1	S64-096	1	Plunger Assembly
2	110-227A	1	Collar
3	160-239	1	Set Screw
4	125-168	2	O-Ring
5	198-013	1	Seat Assembly
6	135-097	1	Spring
7	144-068M	1	Cylinder
8	R68-800002	1	Tube 3/8" ID (Specify length in feet)

Soap System Parts and Maintenance Tips (continued)

Soap Recommendations

Quality soap dispensers require good quality soap and periodic maintenance to properly operate. Bradley soap dispensers will provide dependable, consistent operation over the long term when soap with reasonable viscosity and pH levels are used and when a minimal amount of periodic maintenance is performed on the valves.

Soap thickness is determined by a measurement called viscosity. Soap viscosity should be between 100 cps (centerpoise) and 2500 cps for all Bradley soap dispensers. Thinner soaps are perceived by the users as being “watered down” so users tend to take more than they need, resulting in waste. Thick soaps flow slower and inhibit the “flushing” action of the valves, which allows the soap to congeal in the valve and cause clogs.

The pH (acid) level of the soap should be in the range of 6.5 to 8.5. More acidic soaps (pH levels lower than 6.5) will corrode metal parts (even stainless steel!!) and degrade rubber and plastic components. They will also cause skin irritation. Most inexpensive soaps (typically the pink lotion type) fall into this acidic category and will eventually cause valve failure and metal corrosion. Base soaps (pH levels higher than 8.5) will cause swelling or degradation of rubber and plastic parts and skin irritation.

Generally, any quality soap meeting the viscosity and pH guidelines above will work well with Bradley soap dispensers. PCMX or Isopropanol based antibacterial soaps (within viscosity and pH limits) will also work with Bradley dispensers. Soaps satisfying these basic guidelines will provide consistent flow and reduce clogs.

Most soap dispenser problems are caused by soap that is too thick or corrosive, or by a lack of maintenance. Many soaps come in concentrate form which must be diluted with water. Often, the soap is improperly diluted or used straight out of the bottle, which causes clogging and valve failure. If proper soap is being used, valves that have never been cleaned are usually the source of dispensing problems. Bradley has entered into an agreement with Champion Brand Products to provide additional customer service for purchasers of our dispensers regarding soap issues. They are very helpful and can get to the bottom of almost any soap dispenser related problem. They also sell an excellent “Bradley approved” soap. Please see Soap Instruction Sheet 215-1286 for details about soap valve cleaning or how to contact Champion. With proper maintenance and soap, Bradley dispensers will provide long term, trouble free operation.

Soap Dispenser Maintenance Instructions for Multi-Fount Washfountains

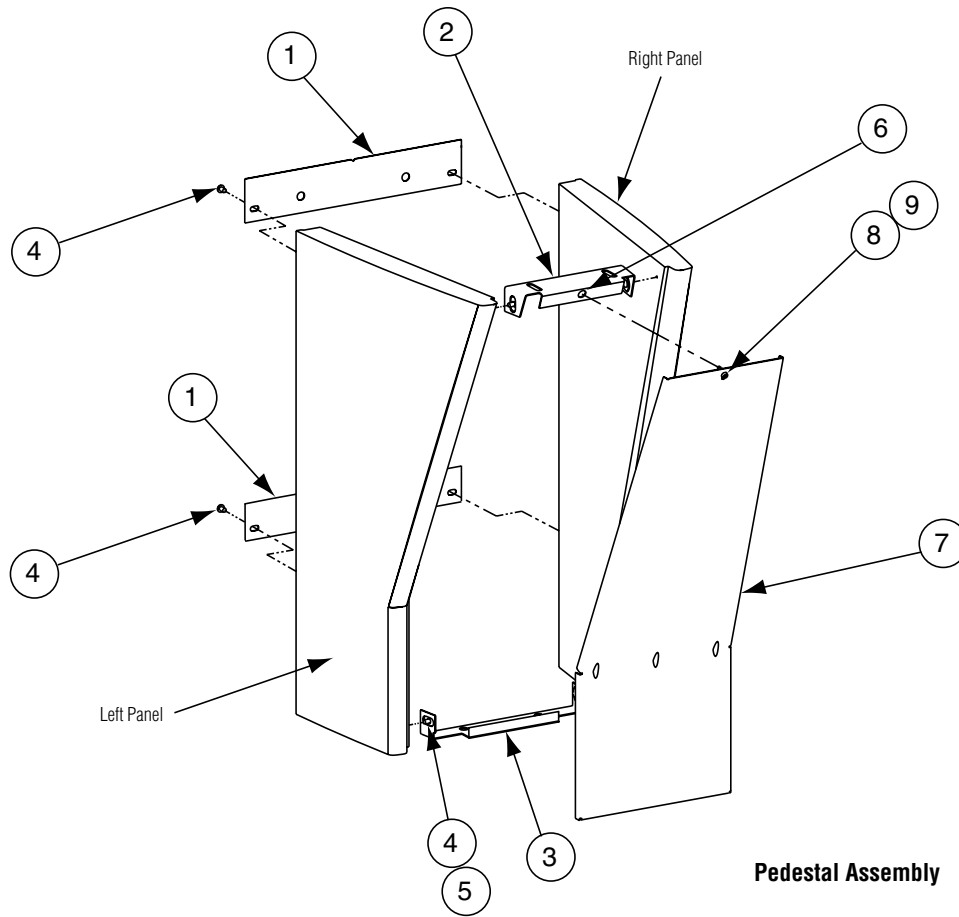
Bradley soap dispensers will provide dependable, consistent operation over the long term when the proper soap is used and when a minimal amount of periodic maintenance is performed on the valves. Valves must be maintained (cleaned) to function properly.

To ensure proper operation of your soap dispenser, follow these instructions:

- Once per month, remove the cap from the soap tank, insert the draw tube (below the cap) into hot water and soak it for 30 minutes.
- Push valve at least 20 times while it is soaking.
- Flush soap reservoir with hot water while valve is soaking.

In cases of extreme clogging, the valve should be disassembled and the parts should be soaked in hot water or cleaning solution to restore proper functioning. Soap dispensers that will not be used for extended periods of time (schools during summer break, etc.) should be drained, cleaned and left empty until put back into service. Soap left on the outside of dispensers can cause discoloration and corrosion of the reservoir (even on stainless steel units). All soap should be wiped or scrubbed off daily, then the outside of the dispenser should be rinsed with clear water and dried with a soft cloth.

Pedestal Assembly Parts



Pedestal Parts List

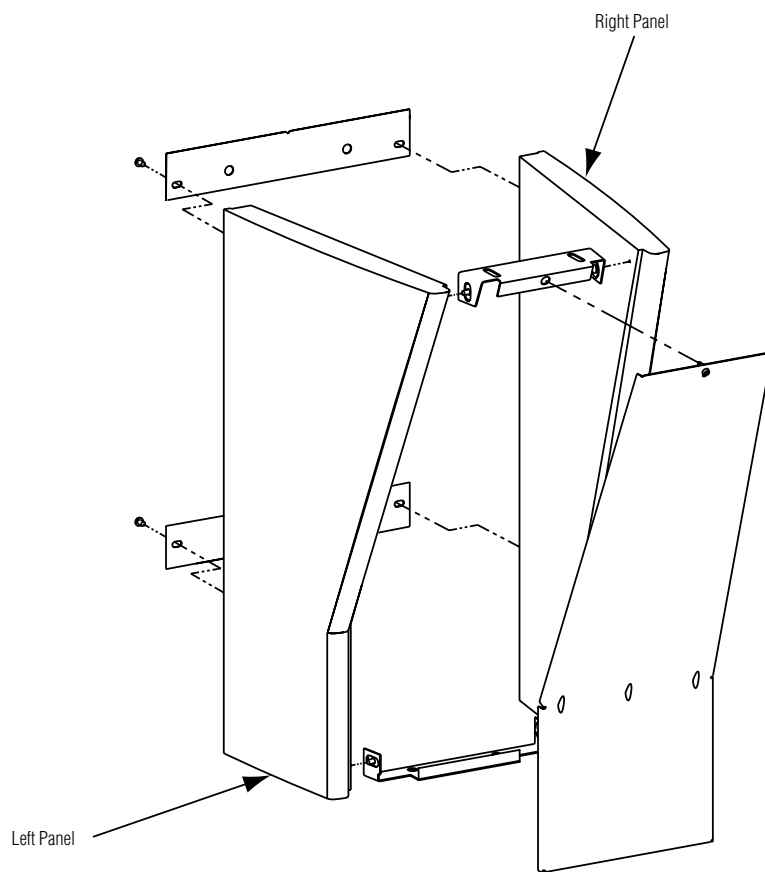
Item	Part No.	Description	Corner Qty	Tri Qty	Quad Qty
1	186-1589	Mounting Panel	2	–	–
1	186-1589	Mounting Panel	–	2	–
1	186-1590	Mounting Panel	–	–	2
2***	S04-056	Upper Bracket Assembly	1	1	–
2***	S04-057	Upper Bracket Assembly	–	–	1
3	140-1011	Lower Bracket	1	1	–
3	140-1012	Lower Bracket	–	–	1
4*	160-389	Screw 1/4-20	8	8	8
5*	142-002BJ	Washer	4	4	4
6	146-055	Clip	1	1	1
7	S04-100	Access Panel - Standard Height	1	1	–
7	S04-095	Access Panel - Juvenile Height	1	1	–
7	S04-101	Access Panel - Standard Height	–	–	1
7	S04-096	Access Panel - Juvenile Height	–	–	1
8**	132-031	Washer	1	1	1
9**	147-019	Screw	1	1	1

* Not Illustrated

** Access Panel (Item 7) part numbers include the screw and washer.

***Upper Bracket Assembly includes Item 6.

Pedestal Panels



Pedestal Panels

Replacement Panel Part Numbers - MF2902, MF2903, MF2904

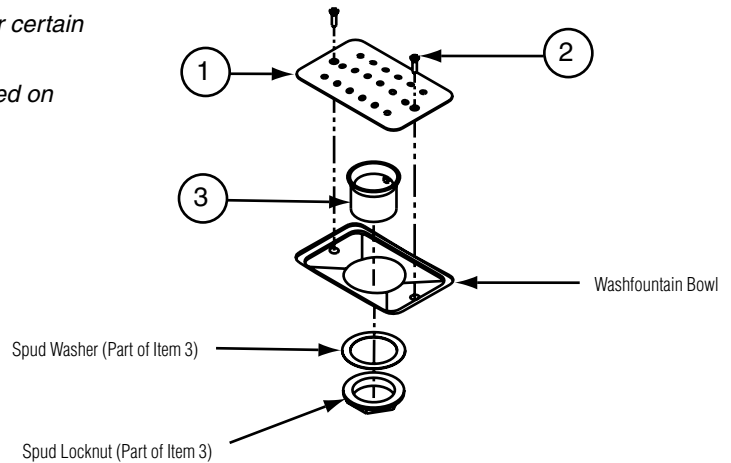
Color	Juvenile Height Right Panel	Juvenile Height Left Panel	Standard Height Right Panel	Standard Height Left Panel
Granito	S15-109P	S15-106P	S15-078P	S15-081P
White Marmorite	S15-110P	S15-107P	S15-079P	S15-082P
Whisper Gray	Please call Bradley for ordering information			
Dusty Rose	Please call Bradley for ordering information			

Drain Spud and Strainer Parts



The rubber washer that comes with this kit is used for certain applications.

Discard this washer for this application as it is not used on Washfountains.



Drain Spud and Strainer

Drain Spud and Strainer Parts List

Item	Part No.	Description	Qty
1	173-023	Dome Strainer	1
2	160-248	Screw 10-24 x 1/2" (for Strainer)	2
3	112-029	Drain Spud (Includes Washer and Nut)	1

Bowl Maintenance Instructions



The Bradley Terrazzo Multi-Fount bowl is made of a pre-cast material that has been covered with a polyurethane finish. With regular cleaning and periodic maintenance, the bowl will provide years of dependable service.

1 Clean Bowl



Do not use scouring pads, cleansers, bowl cleaners or acidic products.

A Wipe down the bowl daily to remove soap film and residue.

B Once a week, give the bowl a thorough cleaning with any non-abrasive household cleaner, such as Lysol® Tub & Tile Cleaner.

2 Treat Bowl

A The bowl should be treated periodically with regular marine wax or a commercial product such as Marble Magic™ to maintain the bowl's shine.

B Should the bowl's clear surface finish become scratched or worn away, the bowl should be recoated to prevent damage to washfountain.



Scratches and worn spots can be touched up with marine polyurethane, available from boat and marine supply dealers.