



TDWL22 Terreon® Deep Well Hand Hygiene Sink

- Molded Single Piece Design
- Deep Well Hand Hygiene Sink (HHS) Minimizes Splashing
- Integral Extra Height Splashes Help Contain Water
- Basin Drain Offset to Minimize Splatter Out of the Drain
- Basin Ledges are Pitched Towards Bowl Drain to minimize Puddling
- Basin Bottom Contours Towards Drain for Quick Drainage
- Well Suited for Health Care and Sanitary Applications
- Constructed of Vandal-Resistant Terreon® Solid Surface Material

Specifications

This molded single piece design HHS includes integral extra height splashes to help contain water. Offset drain designed with a specially designed flow path to evacuate water with minimal splatter from the drain trap. The TDWL22 HHS can be equipped with factory supplied drillings or deck mounted faucets. The TDWL22 HHS has molded carrier arm pockets on the underside of the HHS designed to accept an optional surface mounted bracket by Bradley or an in-wall carrier by others. Interior basin dimensions are 17" x 13.5" x 9.75" deep.

Construction

Constructed of Terreon, a densified solid surface material composed of polyester resin. Terreon is resistant to chemicals, stains, burns and impact. Surface damage can be easily repaired with everyday cleansers or fine grit abrasives. Terreon is certified by Home Innovation Lab to meet CSA B45.5/IAPMO Z124. Terreon is GREENGUARD® certified as low-emitting materials.

Mounting

The TDWL22 can be supported by a surface-mounted bracket supplied by Bradley or in-wall carriers supplied by others. The surface-mounted bracket is constructed of 1" square structural tubing and is zinc-plated mild steel. The surface-mounted bracket also includes a locking device and leveling screws.



TDWL22 shown with optional equipment

Code Compliance and Certifications

ANSI Standards

Terreon and TerreonRE are certified by Home Innovation Lab to meet CSA B45.5/IAPMO Z124.

cUPC Approval

The TDWL22 is Uniform Plumbing Code (UPC), International Plumbing Code (IPC), National Plumbing Code of Canada approved through the International Association of Plumbing and Mechanical Officials (IAPMO) and Canadian Health Care Facilities CSA Z8000. Manufactured in compliance with IGC 156, CSA B45 Series (R08) & ASME A112.18.1/CSA B125.1.



This plumbing fixture is designed for hand washing only. It is not Intended to dispense water for human consumption through drinking or for preparation of food or beverages.



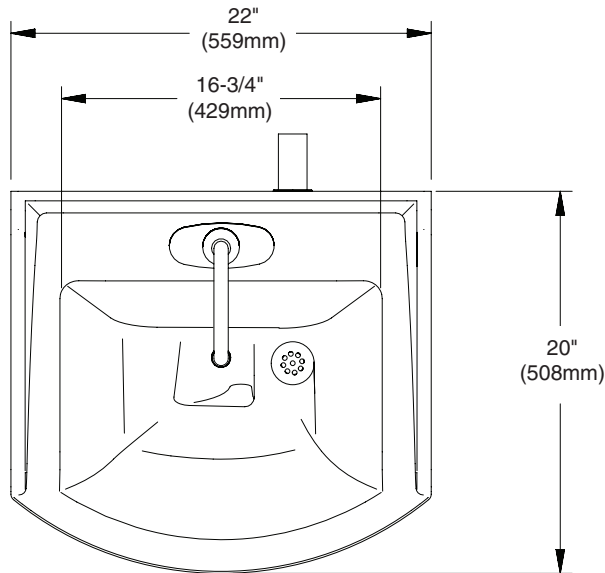
Standard product selections contained within this document are third party **CERTIFIED** to NSF/ANSI 372 meeting the Lead-Free content requirement. Any product configured with custom options will be **COMPLIANT** with NSF/ANSI 372 meeting the Lead-Free content requirement.



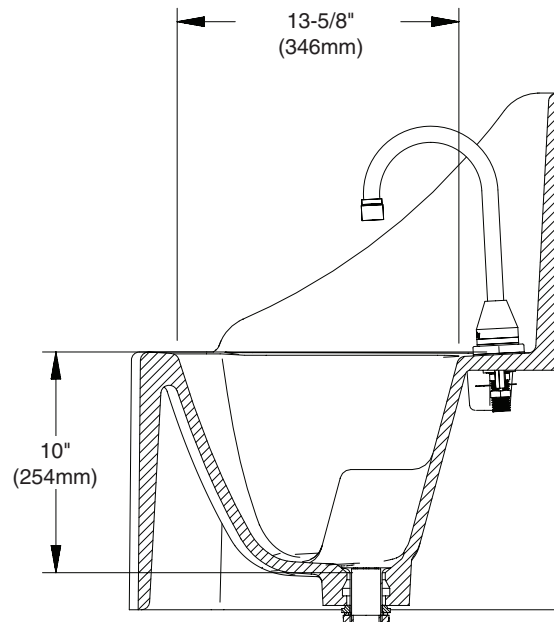


TDWL22 – Dimensions

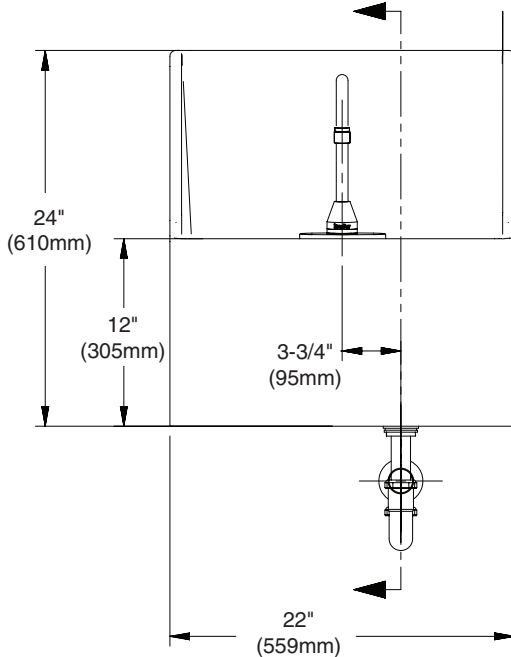
Top View



Side View Standard Height



Front View





TDWL22 – Rough-in

