

Overview

The Advocate Lavatory System Service Kits are designed to provide replacement parts for each section of the Advocate Lavatory System. The Advocate Lavatory System Service Kits tech data document includes step-by-step instructions for ordering the kits. Complete the order form for each service kit required for your system.

Construction

Terreon® Solid Surface Material (Basin and Cover Assembly)

Constructed of Terreon, a densified solid surface material composed of polyester resin or Terreon®RE, a densified solid surface material composed of a bio-based resin and preconsumer recycled granules. Terreon and TerreonRE are resistant to chemicals, stains, burns and impact. Surface damage can be easily repaired with everyday cleansers or fine grit abrasives. Terreon and TerreonRE are NAHB certified to meet ANSI Z124.3, Z124.6 and ANSI/ICPA SS-1-2001. Terreon and TerreonRE are GREENGUARD® certified as low-emitting materials.

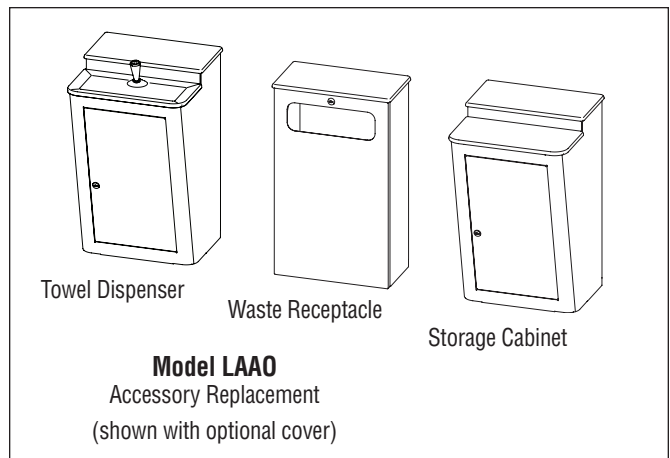
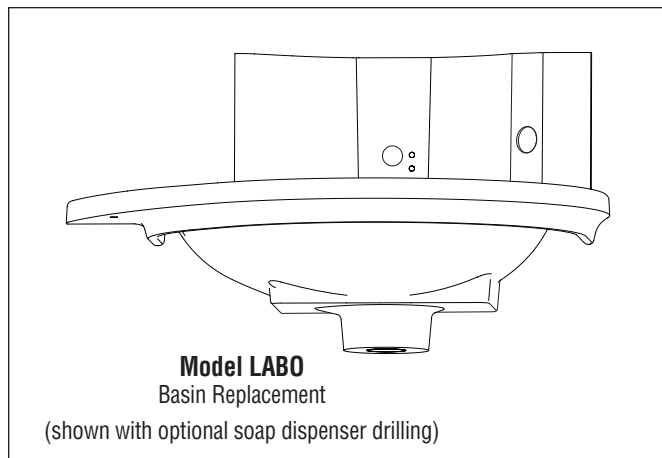
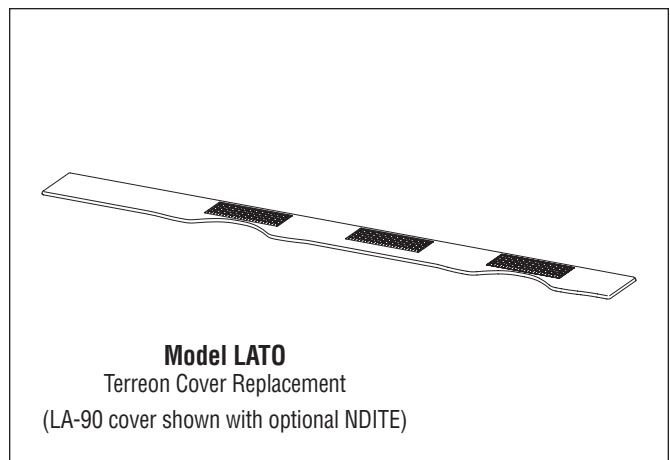
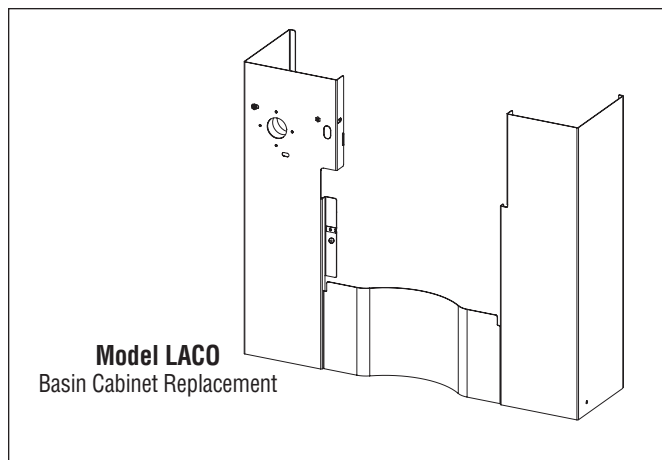
Optional NDITE Infrared Control

The photovoltaic cells are permanently embedded in the top cover with a clear version of Terreon. The NDITE power management module is a proprietary unit that stores and provides power to the sensors and solenoid. This efficient module allows the system to work without batteries, eliminating the need to change or dispose of batteries. Minimum of 400 lux (37fc) required. For more information on NDITE technology, visit bradleycorp.com.

Cabinets, Waste Receptacles and Towel Dispensers

The Advocate replacement modules are constructed of stainless steel and feature a satin or textured 5WL finish.

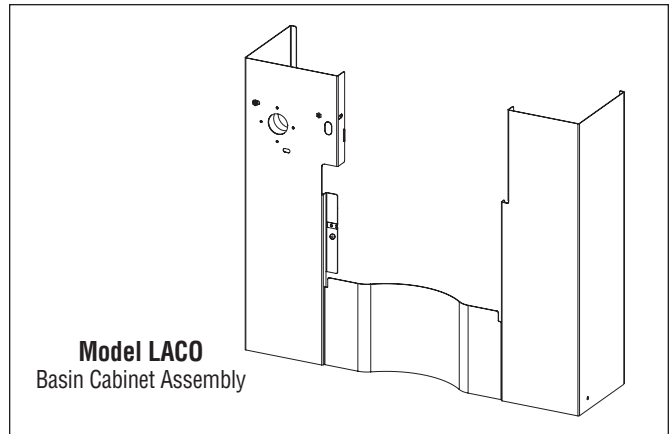
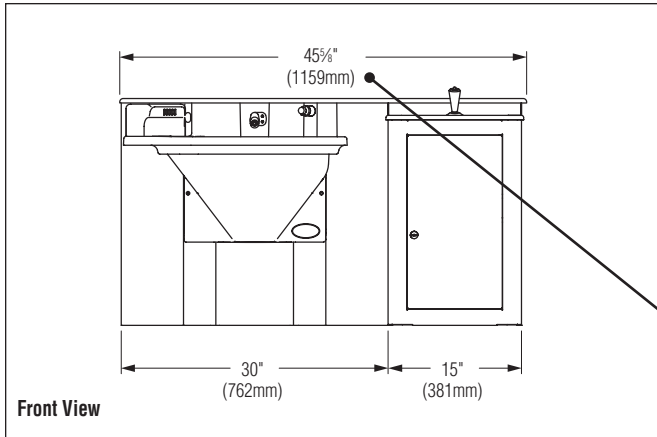
The following pages illustrate the sample order forms and the process used to select replacement parts for the Advocate Lavatory Systems.



LACO — Basin Cabinet Replacement

Advocate Model Selection

The model number is determined by the length of the unit from end to end. In the example below, the unit measures approximately 45". The basin section is 30" while the towel dispenser to the right is 15". Both of these measurements combined determine the total length of the lavatory system.



Model Selection (select one)

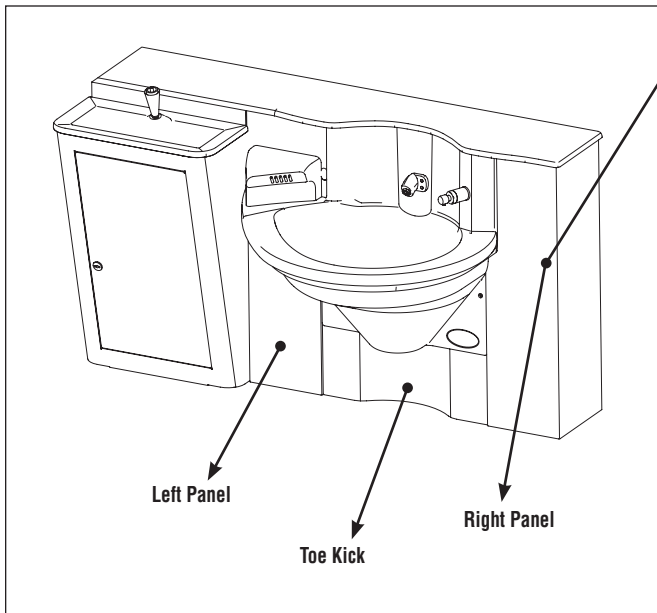
- LA30
- LA45
- LA60
- LA75
- LA90

Panel Replacement (select one)

- (1) Entire Basin Cabinet Assembly
- (2) Left Panel
- (3) Toe Kick (center)
- (4) Right Panel

Panel Replacement

Looking at the unit from the front, determine which panel needs to be replaced. In the example below, if the right panel requires replacement, you would select **(4) Right Panel**.



Basin Location (select one)

Note for LA30 Models — Not required, leave blank

- (A) Far Left
- (B) Between Two Modules (interior unit)
- (C) Far Right

Basin Height (select one)

- (A) Standard — 34"
- (B) Juvenile — 31"
- (C) Junior — 28"

Cabinet Enclosure (select one)

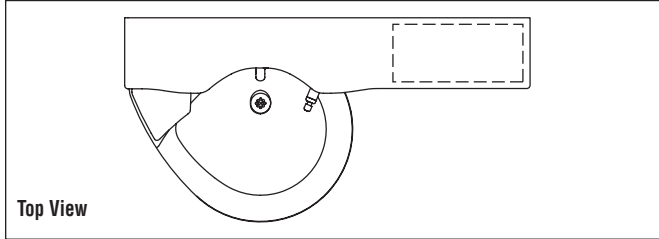
- (1) Stainless Steel, Satin
- (2) Stainless Steel, Textured 5WL

LACO — Basin Cabinet Replacement

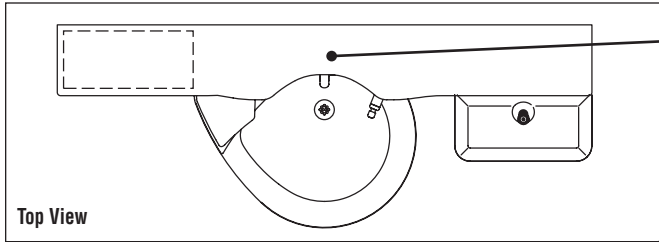
Basin Location

The basin location determines which basin cabinet assembly is required. Looking at the unit from the top, determine the location of the basin.

In Example 1 below, the basin is located on the **Far Left Side (A)**.

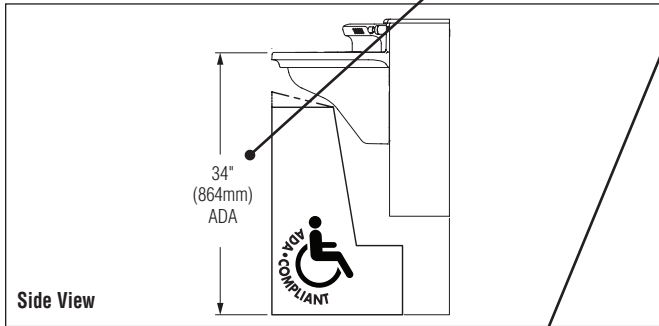


In Example 2 below, the basin is located **Between Two Modules (B)**.



Basin Height

The basin height also determines which basin cabinet assembly is required. In order to determine the height of your basin, measure the unit from the finished floor to the top of the basin rim.



Cabinet Enclosure Material

Select one of the two stainless steel finishes for your replacement accessory.

Model Selection (select one)

- LA30
- LA75
- LA45
- LA90
- LA60

Panel Replacement (select one)

- (1) Entire Basin Cabinet Assembly
- (2) Left Panel
- (3) Toe Kick (center)
- (4) Right Panel

Basin Location (select one)

- (A) Far Left
- (B) Between Two Modules (interior unit, not applicable for LA30)
- (C) Far Right

Basin Height (select one)

- (A) Standard — 34"
- (B) Juvenile — 31"
- (C) Junior — 28"

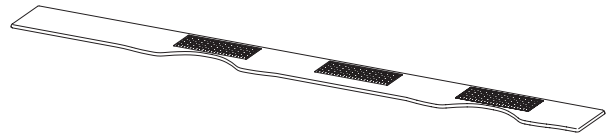
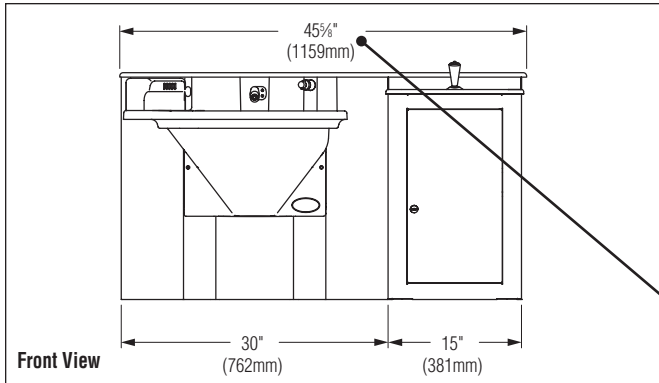
Cabinet Enclosure (select one)

- (1) Stainless Steel, Satin
- (2) Stainless Steel, Textured 5WL

LATO — Terreon Cover Replacement

Advocate Model Selection

The model number is determined by the length of the unit from end to end. In the example below, the unit measures approximately 45". The basin section is 30" while the towel dispenser to the right is 15". Both of these measurements combined determine the total length of the lavatory system.



Model LATO
Terreon Cover Assembly
(LA-90 cover shown with optional NDITE)

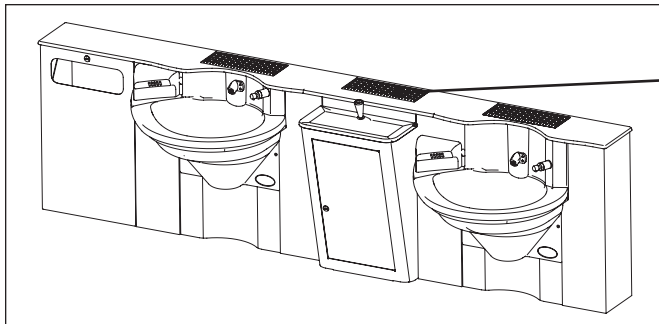
Model Selection (select one)

- | | |
|--|-------------------------------|
| <input type="checkbox"/> LA30 | <input type="checkbox"/> LA75 |
| <input checked="" type="checkbox"/> LA45 | <input type="checkbox"/> LA90 |
| <input type="checkbox"/> LA60 | |

Activation (select one)

- | |
|---|
| <input type="checkbox"/> (2A) Faucet Spout with Adaptive Infrared Control |
| <input type="checkbox"/> (2E) Faucet Spout with Battery Infrared Control |
| <input checked="" type="checkbox"/> (2F) Faucet Spout with NDITE Infrared Control |

Activation



NDITE Infrared Control — If there are photovoltaic panels on top of the Terreon cover, select **(2F) Faucet Spout with NDITE Infrared Control**.

If there are no NDITE panels on top of the Terreon cover, the activation is either adaptive infrared or battery infrared. Release the Terreon cover and look for the following:

Adaptive Infrared Control — You will see a plug-in transformer (no battery pack).

Battery Infrared Control — You will see a battery pack (no transformer).

Color Selection (select one)

Select any one of the Standard, Designer, Element or TerreonRE colors listed on the order form.

Module Style and Placement (Fill in OPEN spaces)

Example:



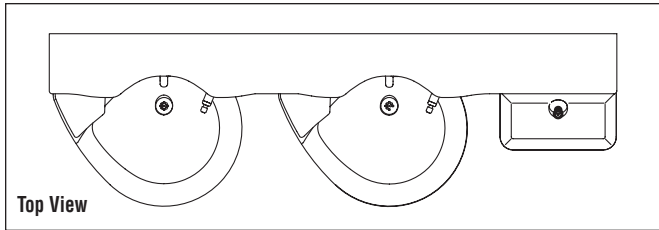
LATO — Terreon Cover Replacement

Color Selection

To select a color for the Terreon Cover Assembly, review all available options on the order form and select your color choice. (visit bradleycorp.com to view all available colors).

Module Style and Placement

In the example of the LA75 below, looking at the unit from left to right, you will see a basin, followed by another basin, followed by an accessory.



Review the **Number Key** below:

0 = None (no module)

1 = Basin

2 = Accessory (Waste Receptacle, Towel Dispenser, Storage Cabinet)

The LA75 example can be described as a (1) basin, followed by a (1) basin, followed by a (2) accessory, followed by a (0) no module. Fill in the boxes as shown.

Model Selection (select one)

- | | |
|-------------------------------|-------------------------------|
| <input type="checkbox"/> LA30 | <input type="checkbox"/> LA75 |
| <input type="checkbox"/> LA45 | <input type="checkbox"/> LA90 |
| <input type="checkbox"/> LA60 | |

Activation (select one)

- (2A) Faucet Spout with Adaptive Infrared Control
- (2E) Faucet Spout with Battery Infrared Control
- (2F) Faucet Spout with NDITE Infrared Control

Color Selection (select one)

Select any one of the Standard, Designer, Element or TerreonRE colors listed on the order form.

Module Style and Placement (Fill in OPEN spaces)

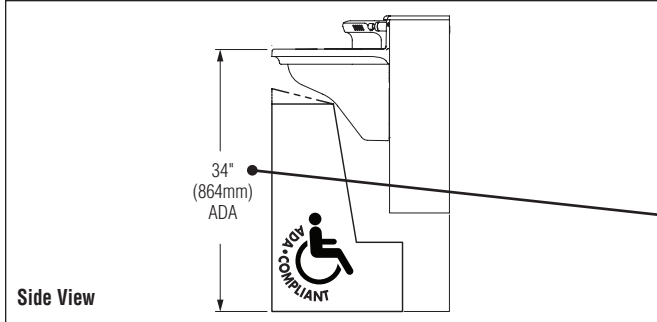
Example:

1	1	2	0
Basin	Basin	Accessory	None

LABO — Basin Replacement

Basin Height

The basin height also determines which basin is required. In order to determine the height of your replacement basin, measure the unit from the finished floor to the top of the basin rim.



Model Selection (select one)

- LA30
- LA45
- LA60
- LA75
- LA90

Soap Dispenser Drilling (select one)

- (1) Soap Dispenser Drilling Necessary
- (0) No Soap Dispenser Drilling Necessary

Basin Height (select one)

- (A) Standard — 34"
- (B) Juvenile — 31"
- (C) Junior — 28"

Color Selection (select one)

Select any one of the Standard, Designer, Element or TerreonRE colors listed on the order form.

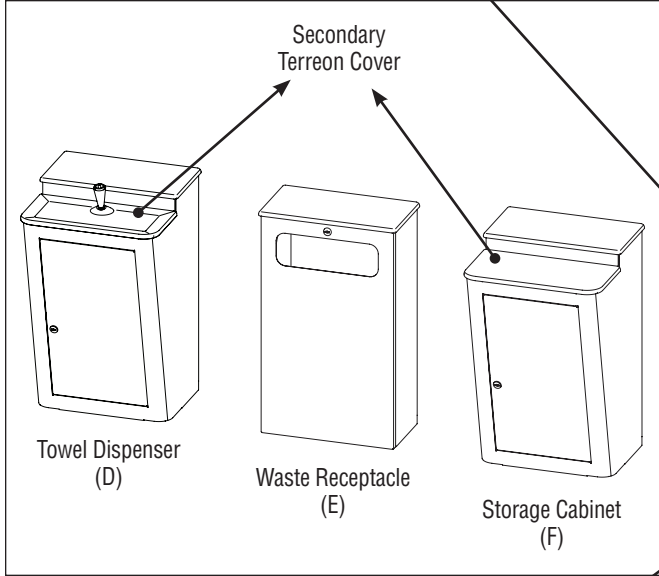
Color Selection

To select a color for the Basin Replacement, review all available options on the order form and select your color choice. (visit bradleycorp.com to view all available colors).

LAO — Accessory Replacement

Accessory Type

Select which type of Accessory you would like to order. (visit bradleycorp.com for more information on Advocate accessories.)



Model Selection (select one)

- | | |
|-------------------------------|-------------------------------|
| <input type="checkbox"/> LA30 | <input type="checkbox"/> LA75 |
| <input type="checkbox"/> LA45 | <input type="checkbox"/> LA90 |
| <input type="checkbox"/> LA60 | |

Accessory Location (select one)

- (A) Far Left Side
- (B) Between Two Modules
- (C) Far Right Side

Accessory Type (select one)

- (D) Towel Dispenser
- (E) Waste Receptacle
- (F) Storage Cabinet

Secondary Terreon Cover Color Selection (select one, then select color if applicable)

- (1) Secondary Terreon Cover Necessary
- (0) No Secondary Terreon Cover Needed

Cabinet Enclosure (select one)

- (1) Stainless Steel, Satin
- (2) Stainless Steel, Textured 5WL

Secondary Terreon Cover Color Selection

If the accessory is a towel dispenser or a storage cabinet requiring a replacement secondary Terreon cover, select the following:

- (1) Secondary Terreon Cover Necessary

Then select a color for the replacement accessory's secondary Terreon cover.

If the accessory is a towel dispenser or a storage cabinet requiring no replacement secondary Terreon cover, or if the accessory is a waste receptacle, select **(0) No Secondary Terreon Cover Needed**.

Cabinet Enclosure Material

Select one of the two stainless steel finishes for your replacement accessory.

<p>LACO — Basin Cabinet Replacement</p> <p>Advocate Model Selection (select one)</p> <p><input type="checkbox"/> LA30 <input type="checkbox"/> LA75</p> <p><input type="checkbox"/> LA45 <input type="checkbox"/> LA90</p> <p><input type="checkbox"/> LA60</p>
<p>Panel Replacement (select one)</p> <p><input type="checkbox"/> (1) Entire Basin Cabinet Assembly</p> <p><input type="checkbox"/> (2) Left Panel</p> <p><input type="checkbox"/> (3) Toe Kick (center)</p> <p><input type="checkbox"/> (4) Right Panel</p>
<p>Basin Location (select one)</p> <p><i>Note for LA30 Models — Not required, leave blank</i></p> <p><input type="checkbox"/> (A) Far Left</p> <p><input type="checkbox"/> (B) Between Two Modules (interior unit)</p> <p><input type="checkbox"/> (C) Far Right</p>
<p>Basin Height (select one)</p> <p><input type="checkbox"/> (A) Standard — 34"</p> <p><input type="checkbox"/> (B) Juvenile — 31"</p> <p><input type="checkbox"/> (C) Junior — 28"</p>
<p>Cabinet Enclosure (select one)</p> <p><input type="checkbox"/> (1) Stainless Steel, Satin</p> <p><input type="checkbox"/> (2) Stainless Steel, Textured 5WL</p>

<p>LATO — Terreon Cover Replacement</p> <p>Advocate Model Selection (select one)</p> <p><input type="checkbox"/> LA30 <input type="checkbox"/> LA75</p> <p><input type="checkbox"/> LA45 <input type="checkbox"/> LA90</p> <p><input type="checkbox"/> LA60</p>																																																																
<p>Activation (select one)</p> <p><input type="checkbox"/> (2A) Faucet Spout with Adaptive Infrared Control</p> <p><input type="checkbox"/> (2E) Faucet Spout with Battery Infrared Control</p> <p><input type="checkbox"/> (2F) Faucet Spout with NDITE Infrared Control</p>																																																																
<p>Color Selection (select one)</p> <p><i>Standard Colors</i></p> <table border="0"> <tr> <td><input type="checkbox"/> E-GRAY</td> <td>Empire Gray</td> <td><input type="checkbox"/> GRAPH</td> <td>Graphite</td> </tr> <tr> <td><input type="checkbox"/> PEP-WHT</td> <td>Peppered White</td> <td><input type="checkbox"/> LANNON</td> <td>Lannonstone</td> </tr> <tr> <td><input type="checkbox"/> SAND</td> <td>Sandtrap</td> <td><input type="checkbox"/> COBBLE</td> <td>Cobblestone</td> </tr> <tr> <td><input type="checkbox"/> CHAR</td> <td>Charcoal Gray</td> <td><input type="checkbox"/> WHT SAND</td> <td>White Sand</td> </tr> <tr> <td><input type="checkbox"/> JADE</td> <td>Jade</td> <td><input type="checkbox"/> LONDON GRAY</td> <td>London Gray</td> </tr> <tr> <td><input type="checkbox"/> O-TAUPE</td> <td>Organic Taupe</td> <td></td> <td></td> </tr> </table> <p><i>Element Colors</i></p> <table border="0"> <tr> <td><input type="checkbox"/> SS-GRAY</td> <td>Soapstone Gray</td> <td><input type="checkbox"/> CA-TAN</td> <td>Canyon Tan</td> </tr> </table> <p><i>Designer Colors*</i></p> <table border="0"> <tr> <td><input type="checkbox"/> ARC-CHIP</td> <td>Arctic Chip</td> <td><input type="checkbox"/> COFFEE</td> <td>Coffee Bean</td> </tr> <tr> <td><input type="checkbox"/> S-SAGE</td> <td>Summer Sage</td> <td><input type="checkbox"/> CORN</td> <td>Cornfield</td> </tr> <tr> <td><input type="checkbox"/> RIVER</td> <td>Riverstone</td> <td><input type="checkbox"/> BLUESKY</td> <td>Blue Sky</td> </tr> <tr> <td><input type="checkbox"/> MYSTIC-M</td> <td>Mystic Moss</td> <td><input type="checkbox"/> HILLSIDE</td> <td>Hill Side</td> </tr> <tr> <td><input type="checkbox"/> STAR-D</td> <td>Stardust</td> <td><input type="checkbox"/> MOUNTAIN</td> <td>Mountain Top</td> </tr> </table> <p><i>TerreonRE Colors*</i></p> <table border="0"> <tr> <td><input type="checkbox"/> BIRCH-BARK</td> <td>Birch Bark</td> <td><input type="checkbox"/> MOONDUST</td> <td>Moondust</td> </tr> <tr> <td><input type="checkbox"/> DUSK</td> <td>Dusk</td> <td><input type="checkbox"/> OAT</td> <td>Oat</td> </tr> <tr> <td><input type="checkbox"/> FERN</td> <td>Fern</td> <td><input type="checkbox"/> OCEAN-MIST</td> <td>Ocean Mist</td> </tr> <tr> <td><input type="checkbox"/> MAIZE</td> <td>Maize</td> <td><input type="checkbox"/> OLIVE</td> <td>Olive</td> </tr> </table>	<input type="checkbox"/> E-GRAY	Empire Gray	<input type="checkbox"/> GRAPH	Graphite	<input type="checkbox"/> PEP-WHT	Peppered White	<input type="checkbox"/> LANNON	Lannonstone	<input type="checkbox"/> SAND	Sandtrap	<input type="checkbox"/> COBBLE	Cobblestone	<input type="checkbox"/> CHAR	Charcoal Gray	<input type="checkbox"/> WHT SAND	White Sand	<input type="checkbox"/> JADE	Jade	<input type="checkbox"/> LONDON GRAY	London Gray	<input type="checkbox"/> O-TAUPE	Organic Taupe			<input type="checkbox"/> SS-GRAY	Soapstone Gray	<input type="checkbox"/> CA-TAN	Canyon Tan	<input type="checkbox"/> ARC-CHIP	Arctic Chip	<input type="checkbox"/> COFFEE	Coffee Bean	<input type="checkbox"/> S-SAGE	Summer Sage	<input type="checkbox"/> CORN	Cornfield	<input type="checkbox"/> RIVER	Riverstone	<input type="checkbox"/> BLUESKY	Blue Sky	<input type="checkbox"/> MYSTIC-M	Mystic Moss	<input type="checkbox"/> HILLSIDE	Hill Side	<input type="checkbox"/> STAR-D	Stardust	<input type="checkbox"/> MOUNTAIN	Mountain Top	<input type="checkbox"/> BIRCH-BARK	Birch Bark	<input type="checkbox"/> MOONDUST	Moondust	<input type="checkbox"/> DUSK	Dusk	<input type="checkbox"/> OAT	Oat	<input type="checkbox"/> FERN	Fern	<input type="checkbox"/> OCEAN-MIST	Ocean Mist	<input type="checkbox"/> MAIZE	Maize	<input type="checkbox"/> OLIVE	Olive
<input type="checkbox"/> E-GRAY	Empire Gray	<input type="checkbox"/> GRAPH	Graphite																																																													
<input type="checkbox"/> PEP-WHT	Peppered White	<input type="checkbox"/> LANNON	Lannonstone																																																													
<input type="checkbox"/> SAND	Sandtrap	<input type="checkbox"/> COBBLE	Cobblestone																																																													
<input type="checkbox"/> CHAR	Charcoal Gray	<input type="checkbox"/> WHT SAND	White Sand																																																													
<input type="checkbox"/> JADE	Jade	<input type="checkbox"/> LONDON GRAY	London Gray																																																													
<input type="checkbox"/> O-TAUPE	Organic Taupe																																																															
<input type="checkbox"/> SS-GRAY	Soapstone Gray	<input type="checkbox"/> CA-TAN	Canyon Tan																																																													
<input type="checkbox"/> ARC-CHIP	Arctic Chip	<input type="checkbox"/> COFFEE	Coffee Bean																																																													
<input type="checkbox"/> S-SAGE	Summer Sage	<input type="checkbox"/> CORN	Cornfield																																																													
<input type="checkbox"/> RIVER	Riverstone	<input type="checkbox"/> BLUESKY	Blue Sky																																																													
<input type="checkbox"/> MYSTIC-M	Mystic Moss	<input type="checkbox"/> HILLSIDE	Hill Side																																																													
<input type="checkbox"/> STAR-D	Stardust	<input type="checkbox"/> MOUNTAIN	Mountain Top																																																													
<input type="checkbox"/> BIRCH-BARK	Birch Bark	<input type="checkbox"/> MOONDUST	Moondust																																																													
<input type="checkbox"/> DUSK	Dusk	<input type="checkbox"/> OAT	Oat																																																													
<input type="checkbox"/> FERN	Fern	<input type="checkbox"/> OCEAN-MIST	Ocean Mist																																																													
<input type="checkbox"/> MAIZE	Maize	<input type="checkbox"/> OLIVE	Olive																																																													
<p>Module Style and Placement (fill in OPEN spaces)</p> <div style="display: flex; justify-content: space-around; align-items: center;"> <div style="border: 1px solid black; width: 40px; height: 40px; margin: 5px;"></div> <div style="border: 1px solid black; width: 40px; height: 40px; margin: 5px;"></div> <div style="border: 1px solid black; width: 40px; height: 40px; margin: 5px;"></div> <div style="border: 1px solid black; width: 40px; height: 40px; margin: 5px;"></div> </div>																																																																

LABO — Basin Replacement

Advocate Model Selection (select one)

- LA30 LA75
 LA45 LA90
 LA60

Soap Dispenser Drilling (select one)

- (1) Soap Dispenser Drilling Necessary
 (0) No Soap Dispenser Drilling Necessary

Basin Height (select one)

- (A) Standard — 34"
 (B) Juvenile — 31"
 (C) Junior — 28"

Color Selection (select one)

Standard Colors

- | | | | |
|----------------------------------|----------------|--------------------------------------|-------------|
| <input type="checkbox"/> E-GRAY | Empire Gray | <input type="checkbox"/> GRAPH | Graphite |
| <input type="checkbox"/> PEP-WHT | Peppered White | <input type="checkbox"/> LANNON | Lannonstone |
| <input type="checkbox"/> SAND | Sandtrap | <input type="checkbox"/> COBBLE | Cobblestone |
| <input type="checkbox"/> CHAR | Charcoal Gray | <input type="checkbox"/> WHT SAND | White Sand |
| <input type="checkbox"/> JADE | Jade | <input type="checkbox"/> LONDON GRAY | London Gray |
| <input type="checkbox"/> O-TAUPE | Organic Taupe | | |

Element Colors

- | | | | |
|----------------------------------|----------------|---------------------------------|------------|
| <input type="checkbox"/> SS-GRAY | Soapstone Gray | <input type="checkbox"/> CA-TAN | Canyon Tan |
|----------------------------------|----------------|---------------------------------|------------|

*Designer Colors**

- | | | | |
|-----------------------------------|-------------|-----------------------------------|--------------|
| <input type="checkbox"/> ARC-CHIP | Arctic Chip | <input type="checkbox"/> COFFEE | Coffee Bean |
| <input type="checkbox"/> S-SAGE | Summer Sage | <input type="checkbox"/> CORN | Cornfield |
| <input type="checkbox"/> RIVER | Riverstone | <input type="checkbox"/> BLUESKY | Blue Sky |
| <input type="checkbox"/> MYSTIC-M | Mystic Moss | <input type="checkbox"/> HILLSIDE | Hill Side |
| <input type="checkbox"/> STAR-D | Stardust | <input type="checkbox"/> MOUNTAIN | Mountain Top |

*TerreonRE Colors**

- | | | | |
|-------------------------------------|------------|-------------------------------------|------------|
| <input type="checkbox"/> BIRCH-BARK | Birch Bark | <input type="checkbox"/> MOONDUST | Moondust |
| <input type="checkbox"/> DUSK | Dusk | <input type="checkbox"/> OAT | Oat |
| <input type="checkbox"/> FERN | Fern | <input type="checkbox"/> OCEAN-MIST | Ocean Mist |
| <input type="checkbox"/> MAIZE | Maize | <input type="checkbox"/> OLIVE | Olive |

LAAO — Accessory Replacement

Advocate Model Selection (select one)

- LA30 LA75
 LA45 LA90
 LA60

Accessory Location (select one)

- (A) Far Left Side
 (B) Between Two Modules
 (C) Far Right Side

Accessory Type (select one)

- (D) Towel Dispenser
 (E) Waste Receptacle
 (F) Storage Cabinet

Secondary Terreon Cover Color Selection

(select one, then select color if applicable)

- (1) Secondary Terreon Cover Necessary
 (0) No Secondary Terreon Cover Needed

Standard Colors

- | | | | |
|----------------------------------|----------------|--------------------------------------|-------------|
| <input type="checkbox"/> E-GRAY | Empire Gray | <input type="checkbox"/> GRAPH | Graphite |
| <input type="checkbox"/> PEP-WHT | Peppered White | <input type="checkbox"/> LANNON | Lannonstone |
| <input type="checkbox"/> SAND | Sandtrap | <input type="checkbox"/> COBBLE | Cobblestone |
| <input type="checkbox"/> CHAR | Charcoal Gray | <input type="checkbox"/> WHT SAND | White Sand |
| <input type="checkbox"/> JADE | Jade | <input type="checkbox"/> LONDON GRAY | London Gray |
| <input type="checkbox"/> O-TAUPE | Organic Taupe | | |

Element Colors

- | | | | |
|----------------------------------|----------------|---------------------------------|------------|
| <input type="checkbox"/> SS-GRAY | Soapstone Gray | <input type="checkbox"/> CA-TAN | Canyon Tan |
|----------------------------------|----------------|---------------------------------|------------|

*Designer Colors**

- | | | | |
|-----------------------------------|-------------|-----------------------------------|--------------|
| <input type="checkbox"/> ARC-CHIP | Arctic Chip | <input type="checkbox"/> COFFEE | Coffee Bean |
| <input type="checkbox"/> S-SAGE | Summer Sage | <input type="checkbox"/> CORN | Cornfield |
| <input type="checkbox"/> RIVER | Riverstone | <input type="checkbox"/> BLUESKY | Blue Sky |
| <input type="checkbox"/> MYSTIC-M | Mystic Moss | <input type="checkbox"/> HILLSIDE | Hill Side |
| <input type="checkbox"/> STAR-D | Stardust | <input type="checkbox"/> MOUNTAIN | Mountain Top |

*TerreonRE Colors**

- | | | | |
|-------------------------------------|------------|-------------------------------------|------------|
| <input type="checkbox"/> BIRCH-BARK | Birch Bark | <input type="checkbox"/> MOONDUST | Moondust |
| <input type="checkbox"/> DUSK | Dusk | <input type="checkbox"/> OAT | Oat |
| <input type="checkbox"/> FERN | Fern | <input type="checkbox"/> OCEAN-MIST | Ocean Mist |
| <input type="checkbox"/> MAIZE | Maize | <input type="checkbox"/> OLIVE | Olive |

Cabinet Enclosure (select one)

- (1) Stainless Steel, Satin
 (2) Stainless Steel, Textured 5WL